

**PHILIPS
KEENE**

Wall Mount

Tall Wall Pack



Project: _____
 Location: _____
 Cat.No: _____
 Type: _____
 Qty: _____
 Notes: _____

The Philips Keene Tall Wall Pack makes it easy to switch to LED. This compact wall pack utilizes only 20W and provides 70W HID equivalent illumination for enhanced energy savings.

Ordering guide

example: TW-20-NW-G1-8-BZ

Luminaire	Wattage	Generation	Photocell	Voltage	Finish
TW	20	NW-G1	<input type="text"/>	1	BZ
TW Tall Wall Pack LED	20 20W	NW-G1 Neutral White, 4000K, 70CRI, Generation 1	-- No Photocell PCB Button Photocell ¹	8 120-277 Volts 1 120 Volts	BZ Bronze

1. Only available in 120V.

Housing

Die-cast aluminum back plate with UV stabilized impact resistant polycarbonate front cover and frosted lens mounted with stainless steel hardware.

IP Rating

LED and other electronic components are sealed in a luminaire rated IP65.

Electrical

Constant current driver with efficiency >84% at full load. Available in 120-277V. IP66 compliant driver. RoHS compliant. Surge protector standard. 4KA per ANSI/IEEE C62.41.2.

LED Board and Array

1 CoB (chip on board) LED. Color temperature 4000K. Minimum CRI of 70.

Mounting

Mounts to standard 3- " to 4" round and octagonal or 4 inch square electrical junction boxes. ½ NPT threaded conduit on the sides of the luminaire.

Energy Saving Benefits

System efficacy up to 120lms/W with significant energy savings over Pulse Start Metal Halide luminaires.

Listings

UL/cUL listed to the UL 1598 standard, suitable for Wet Locations. Suitable for use in ambient from -40° to 40°C (-40° to 104°F).

Product is DesignLights Consortium® qualified.

Finish

Each luminaire comes with a UV stabilized and outdoor rated polycarbonate front cover with a dark bronze color (BZ).

Limited Warranty

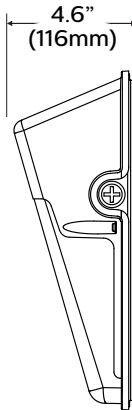
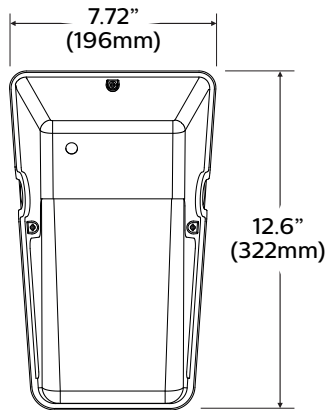
Luminaires are covered by a 5-year limited warranty. See philips.com/warranties for details.



Tall Wall Pack LED

Wall mount

Dimensions



Weight

2.4 lbs (1.1kg)

LED Wattage and Lumen Values

Ordering Codes	Total LEDs	System Current (mA)	Color Temp. (K)	Average System Wattage ¹	Type 4		
					Lumen Output ^{1,2}	BUG Rating	Efficacy (LPW)
TW20-NW-G1	1	480	4000	19	2277	B0-U3-G2	120

1. Wattage and lumen output may vary by due to LED manufacturer forward volt specification and ambient temperature. Wattage shown is average for 120V through 277V input. Measured wattage may vary due to variation in input voltage..
2. Lumen values based on photometric tests performed in compliance with IESNA LM-79.

NOTE: Contact outdoorlighting.applications@philips.com for details or additional information.

Predicted Lumen Depreciation Data

Predicted performance derived from LED manufacturer's data and engineering design estimates, based on IESNA LM-80 methodology. Actual experience may vary due to field application conditions. L70 is the predicted time when LED performance depreciates to 70% of initial lumen output.

Calculated per IESNA TM21-11. Published L70 hours limited to 6 times actual LED test hours.

Ordering Codes	Ambient Temperature °C	System Current	L ₇₀ perTM21 ^{2,3}	Lumen Maintenance @ 50,000hrs
TW20-NW-G1	25 °C	480mA	>102,000	90%

1. Predicted performance derived from LED manufacturer's data and engineering design estimates,
2. based on IESNA LM-80 methodology. Actual experience may vary due to field application conditions. L70 is the predicted time when LED performance depreciates to 70% of initial lumen output.
3. Calculated per IESNA TM 21-11. Published L70 hours limited to 6 times actual LED test hours.

© 2018 Philips Lighting Holding B.V. All rights reserved. Philips reserves the right to make changes in specifications and/or to discontinue any product at any time without notice or obligation and will not be liable for any consequences resulting from the use of this publication. philips.com/luminaires



Philips Lighting North America Corporation
200 Franklin Square Drive, Somerset, NJ 08873
Tel. 855-486-2216

Philips Lighting Canada Ltd.
281 Hillmount Rd, Markham, ON, Canada L6C 2S3
Tel. 800-668-9008