

**PHILIPS**  
**Day-Brite**  
**CFI**

Recessed

FluxPanel  
LED 2x2

Up to 4500 lumens



Project: \_\_\_\_\_

Location: \_\_\_\_\_

Cat.No: \_\_\_\_\_

Type: \_\_\_\_\_

Lamps: \_\_\_\_\_ Qty: \_\_\_\_\_

Notes: \_\_\_\_\_

Philips Day-Brite/Philips CFI FluxPanel LED recessed is a highly versatile luminaire designed to provide smooth lighting gradient on the lens surface and ease of installation. Available for use in recessed, suspended, and surface mount orientation, FluxPanel is ideal for general lighting applications such as open office, schools, healthcare, and retail.

**Ordering guide – Standard configurations available with all choices, unless otherwise noted. Base configurations selections indicated by blue.**

**Example: 2FXP38L840-2-DS-UNV-DIM-EMLED7**

Width	Family	Lumens	Color	Length	Diffuser	Voltage	Driver	Options <sup>2</sup>
2	FXP			2	DS			
2 2'	FXP FluxPanel	<b>Standard configurations</b> <b>30L</b> 3000 nominal delivered lumens <b>38L</b> 3800 nominal delivered lumens <b>45L</b> 4500 nominal delivered lumens  <b>Base configuration</b> <b>38B</b> 3800 nominal delivered lumens	<b>835</b> 80 CRI, 3500K <b>840</b> 80 CRI, 4000K	2 2'	DS Diffuse (smooth)	<b>UNV</b> Universal Voltage, 120-277 volt <b>120<sup>3</sup></b> 120V <b>277<sup>3</sup></b> 277V <b>347</b> 347V	<b>DIM<sup>1</sup></b> 0-10V dimming <b>SDIM</b> Step dimming to 40% input power <b>XDIM<sup>3</sup></b> MarkX phase dimming	<b>F1</b> 3/8" flex, 3 wire 18 gauge 6' <b>F2</b> 3/8" flex, 4 wire 18 gauge 6' <b>F1/D</b> 3/8" twin flex, 3 wire 18 gauge 6' for dimmable luminaires <b>F2/5W</b> 3/8" single flex, 5 wire 18 gauge 6' for dimmable luminaires <b>F2/6W</b> 3/8" single flex, 6 wire 18 gauge 6' for dimmable and emergency luminaires <b>GLR</b> Fusing, fast blow <b>EMLED</b> Bodine BSL310 10W battery pack <b>EMLED7</b> Bodine BSL17 7W battery pack <b>CHIC</b> Chicago Plenum rated

**Accessories (order separately)**

- **FMA22** – 2'x2' "F" mounting frame for NEMA "F" mounting
- **FSK22** – 2'x2' surface mount field installation kit (factory welded seams)
- **FSF22** – 2'x2' surface mount field assembly kit (field assembled)
- **2PCH48-1-SC** – adjustable cable hanger kit for 2x2 with straight white 18/3 cord (two-1 powered, 1 non-powered)
- **2PCH48-1D-SC** – adjustable cable hanger kit for 2x2 with straight white 18/5 cord for dimming (two-1 powered, 1 non-powered)

**Energy data**

Luminaire	Catalog Number	Input Power	Efficacy
2x2 Standard	2FXP30L840	27	108
	2FXP38L840	36	105
	2FXP45L840	42	104
2x2 Base	2FXP38B840	32	113

**Footnotes**

- <sup>1</sup> 0-10v dimming to 1% for Standard, and 5% for Base configurations
- <sup>2</sup> All options available with Standard configurations only
- <sup>3</sup> XDIM requires 120V or 277V specification



# 2FXP FluxPanel LED recessed 2x2

Up to 4500 lumens

## Application

- 7/16" ultra shallow light guide profile.
- Overall 1-15/16" deep luminaire, including driver box, provides minimal intrusion into the plenum space.
- Even distribution of light on the lens provides exceptionally low glare gradient minimizing distractions at the ceiling plane.
- General light distribution creates uniform horizontal and vertical illuminance on the work plane and limits scalloping on the walls.
- Excellent consistency of correlated color temperature (CCT) per ANSI C78.377.
- CRI 80 minimum color rendering with balanced spectrum.
- Designed for use with standard Grid (NEMA "G") or Narrow Grid (NEMA "NFG") ceiling T-bars. Drywall or plaster application require use with the FMA22 "F" mounting frame accessory (sold and shipped separately).
- Accessory field install kits available for surface (FSK22) and suspended (2PCH48) mounting.

## Construction/Finish

- Extruded aluminum frame post painted with gloss white enamel finish. Corners are precision welded for seamless aesthetic.
- Emergency options available with factory installed battery pack and remote field installed test switch/light with cover plate.

- Die formed driver box with standard access plate for ease of wiring, provides tool-free access to driver(s) from above.
- Edge lit LED arrays provide highly efficient and unpixelated transfer of light to the light guide panel.
- Integral clips accommodate definitive attachment to T-bar grid for recessed applications.
- Die formed surface box accessory kit post painted gloss white enamel.
- Suspended accessory kits available, include cables, luminaire mounting clips, and adjustable connectors.
- All Base configurations are shipped two luminaires per master carton. Standard configurations are one luminaire per master carton.

## Enclosure

- Acrylic diffuser provides visual comfort and high efficiency.
- Flat opal lens is easy to clean and provides a uniform aesthetic on the ceiling plane.
- Tight enclosure assembly impedes ingress of dust and insects.

## Electrical

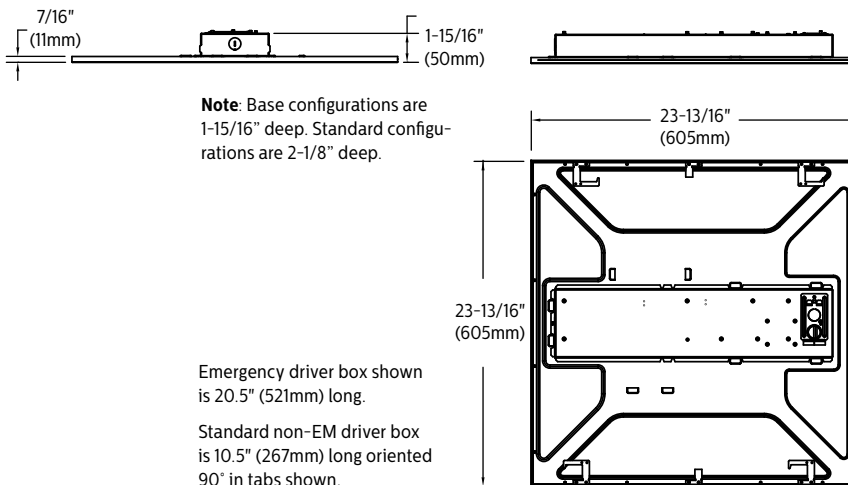
- Up to 112 lm/W efficacy.
- High efficiency Philips Advance driver featuring high power factor (>0.90), 120-277V 60/50Hz, and less than 15% THD.
- Minimum start temperature -20°C (-4°F).
- Standard configurations are 0-10V dimming to 1%. Base configurations are to 5%.

- To predict lumen output in emergency mode, multiply emergency pack wattage by luminaire efficacy, then by 1.10. Typical lumen output is 1200lm for EMLED, and 850lm for EMLED7.
- Electromagnetic interference (EMI) compliant to FCC Title 47 Part 15 class A.
- Flicker and stroboscopic effect compliant to NEMA 77-2017.
- TM-21 predicted L70 lumen maintenance up to 67,000 hours per LED manufacturer LM-80 report.
- cULus (Base) or cETLus (Standard) listed to UL and CSA standards, suitable for damp locations.
- Base configurations are non-IC rated. Standard configurations are IC rated.
- FluxPanel luminaires are Designlights Consortium<sup>®</sup> qualified. Please see the DLC QPL list for exact catalog numbers (<http://www.designlights.org/QPL>).

## General Notes

- All options factory installed.
- All accessories are field installed.
- Many luminaire components, such as reflectors, refractors, lenses, sockets, lampholders, and LEDs are made from various types of plastics which can be adversely affected by airborne contaminants. If sulfur based chemicals, petroleum based products, cleaning solutions, or other contaminants are expected in the intended area of use, consult factory for compatibility.
- Five year limited luminaire warranty includes LED boards and driver. Visit [www.philips.com/warranties](http://www.philips.com/warranties) for complete warranty information.

## Dimensions



# 2FXP FluxPanel LED recessed 2x2

Up to 4500 lumens

## 2x2 FluxPanel LED, 3800 nominal delivered lumens 3500K

## LER – 110

<b>Catalog No.</b>	2FXP38B835-2-DS-UNV-DIM	<b>Candlepower</b>				<b>Light Distribution</b>			<b>Average Luminance</b>					
<b>Test No.</b>	38552	<b>Angle</b>	<b>End</b>	<b>45</b>	<b>Cross</b>	<b>Degrees</b>	<b>Lumens</b>	<b>% Luminaire</b>	<b>Angle</b>	<b>End</b>	<b>45°</b>	<b>Cross</b>		
<b>S/MH</b>	1.2	<b>0</b>	1253	1250	1254	<b>0-30</b>	975	27.0	<b>45</b>	3841	3745	3722		
<b>Lamp Type</b>	LED	<b>5</b>	1246	1241	1243	<b>0-40</b>	1600	44.3	<b>55</b>	3692	3558	3514		
<b>Lumens/Lamp</b>	3607	<b>15</b>	1203	1193	1193	<b>0-60</b>	2839	78.7	<b>65</b>	3214	3029	2955		
<b>Input Watts</b>	33	<b>25</b>	1117	1103	1101	<b>0-90</b>	3574	99.1	<b>75</b>	2760	2445	2309		
		<b>35</b>	992	975	971	<b>0-180</b>	3607	100.0	<b>85</b>	2248	1581	1230		
		<b>45</b>	836	815	810	<b>Coefficients of Utilization</b>								
		<b>55</b>	652	628	620	<b>EFFECTIVE FLOOR CAVITY REFLECTANCE 20 PER (pfc=0.20)</b>								
		<b>65</b>	418	394	384	<b>pcc</b>	<b>80</b>			<b>70</b>			<b>50</b>	
		<b>75</b>	220	195	184	<b>pw</b>	70	50	30	70	50	30	50	30
		<b>85</b>	60	42	33	<b>RCR</b>								
Comparative yearly lighting energy cost per 1000 lumens – <b>\$2.18</b> based on 3000 hrs. and \$.08 pwr KWH.		<b>95</b>	5	5	5	<b>0</b>	118	118	118	115	115	115	111	111
The photometric results were obtained in the Philips Day-Brite laboratory which is NVLAP accredited by the National Institute of Standards and Technology.		<b>105</b>	5	5	5	<b>1</b>	109	104	98	106	101	96	96	93
Photometric values based on test performed in compliance with LM-79.		<b>115</b>	5	5	5	<b>2</b>	98	90	83	95	88	81	84	79
		<b>125</b>	5	5	5	<b>3</b>	90	79	70	86	78	69	75	68
		<b>135</b>	6	6	6	<b>4</b>	81	69	60	80	68	60	66	58
		<b>145</b>	6	6	6	<b>5</b>	76	63	54	72	61	53	58	52
		<b>155</b>	6	6	6	<b>6</b>	69	56	46	68	55	46	54	46
		<b>165</b>	6	6	6	<b>7</b>	65	51	41	63	50	41	48	40
		<b>175</b>	6	6	6	<b>8</b>	59	46	38	58	46	38	45	36
						<b>9</b>	56	42	34	55	41	34	40	34
						<b>10</b>	53	39	32	51	39	30	38	30

## 2x2 FluxPanel LED, 3800 nominal delivered lumens 4000K

## LER – 113

<b>Catalog No.</b>	2FXP38B840-2-DS-UNV-DIM	<b>Candlepower</b>				<b>Light Distribution</b>			<b>Average Luminance</b>					
<b>Test No.</b>	38553	<b>Angle</b>	<b>End</b>	<b>45</b>	<b>Cross</b>	<b>Degrees</b>	<b>Lumens</b>	<b>% Luminaire</b>	<b>Angle</b>	<b>End</b>	<b>45°</b>	<b>Cross</b>		
<b>S/MH</b>	1.2	<b>0</b>	1265	1265	1265	<b>0-30</b>	984	27.2	<b>45</b>	3880	3791	3762		
<b>Lamp Type</b>	LED	<b>5</b>	1260	1256	1254	<b>0-40</b>	1613	44.6	<b>55</b>	3718	3601	3564		
<b>Lumens/Lamp</b>	3618	<b>15</b>	1217	1207	1207	<b>0-60</b>	2864	79.2	<b>65</b>	3222	3076	3025		
<b>Input Watts</b>	32	<b>25</b>	1129	1115	1111	<b>0-90</b>	3617	100.0	<b>75</b>	2722	2511	2455		
		<b>35</b>	1003	985	981	<b>0-180</b>	3618	100.0	<b>85</b>	1782	1607	1544		
		<b>45</b>	844	825	819	<b>Coefficients of Utilization</b>								
		<b>55</b>	656	636	629	<b>EFFECTIVE FLOOR CAVITY REFLECTANCE 20 PER (pfc=0.20)</b>								
		<b>65</b>	419	400	393	<b>pcc</b>	<b>80</b>			<b>70</b>			<b>50</b>	
		<b>75</b>	217	200	196	<b>pw</b>	70	50	30	70	50	30	50	30
		<b>85</b>	48	43	41	<b>RCR</b>								
Comparative yearly lighting energy cost per 1000 lumens – <b>\$2.12</b> based on 3000 hrs. and \$.08 pwr KWH.		<b>0</b>	118	118	118	<b>0</b>	118	118	118	115	115	115	111	111
The photometric results were obtained in the Philips Day-Brite laboratory which is NVLAP accredited by the National Institute of Standards and Technology.		<b>1</b>	109	104	100	<b>1</b>	109	104	98	106	102	97	96	93
Photometric values based on test performed in compliance with LM-79.		<b>2</b>	98	91	83	<b>2</b>	98	91	83	95	89	81	84	80
		<b>3</b>	90	79	70	<b>3</b>	90	79	70	88	78	69	75	68
		<b>4</b>	81	69	60	<b>4</b>	81	69	60	80	68	60	66	58
		<b>5</b>	76	63	54	<b>5</b>	76	63	54	73	61	53	59	52
		<b>6</b>	69	56	47	<b>6</b>	69	56	47	68	56	46	54	46
		<b>7</b>	65	51	41	<b>7</b>	65	51	41	63	50	41	48	40
		<b>8</b>	59	46	38	<b>8</b>	59	46	38	58	46	38	45	36
		<b>9</b>	56	42	34	<b>9</b>	56	42	34	55	41	34	40	34
		<b>10</b>	53	40	32	<b>10</b>	53	40	32	51	39	30	38	30

© 2017 Philips Lighting Holding B.V. All rights reserved. Philips reserves the right to make changes in specifications and/or to discontinue any product at any time without notice or obligation and will not be liable for any consequences resulting from the use of this publication.



Philips Lighting North America Corporation  
200 Franklin Square Drive, Somerset, NJ 08873  
Tel. 855-486-2216

Philips Lighting Canada Ltd.  
281 Hillmount Rd, Markham, ON, Canada L6C 2S3  
Tel. 800-668-9008