

# PHILIPS Day-Brite CFI

Recessed

FluxPanel  
LED 2x4

Up to 6000 lumens



Project: \_\_\_\_\_  
 Location: \_\_\_\_\_  
 Cat.No: \_\_\_\_\_  
 Type: \_\_\_\_\_  
 Lamps: \_\_\_\_\_ Qty: \_\_\_\_\_  
 Notes: \_\_\_\_\_

Philips Day-Brite/Philips CFI FluxPanel LED recessed is a highly versatile luminaire designed to provide smooth lighting gradient on the lens surface and ease of installation. Available for use in recessed, suspended, and surface mount orientation, FluxPanel is ideal for general lighting applications such as open office, schools, healthcare, and retail.

Ordering guide – Standard configurations available with all choices, unless otherwise noted. Base configurations selections indicated by blue.

Example: 2FXP43L840-4-DS-UNV-DIM-EMLED7

Width	Family	Lumens	Color	Length	Diffuser	Voltage	Driver	Options <sup>2</sup>
2	FXP			4	DS			
2 2'	FXP FluxPanel	<b>Standard configurations<sup>5</sup></b> <b>38L</b> 3800 nominal delivered lumens <b>43L</b> 4300 nominal delivered lumens <b>48L</b> 4800 nominal delivered lumens <b>54L</b> 5400 nominal delivered lumens <b>60L</b> 6000 nominal delivered lumens  <b>Base configuration<sup>6</sup></b> <b>42B</b> 4200 nominal delivered lumens	<b>835</b> 80 CRI, 3500K <b>840</b> 80 CRI, 4000K	4 4'	DS Diffuse (smooth)	<b>UNV</b> Universal Voltage, 120-277 volt <b>120<sup>3</sup></b> 120V <b>277<sup>3</sup></b> 277V <b>347</b> 347V	<b>DIM<sup>1</sup></b> 0-10V dimming <b>SDIM<sup>4</sup></b> Step dimming to 40% input power <b>XDIM<sup>3,4</sup></b> MarkX phase dimming	<b>F1</b> 3/8" flex, 3 wire 18 gauge 6' <b>F2</b> 3/8" flex, 4 wire 18 gauge 6' <b>F1/D</b> 3/8" twin flex, 3 wire 18 gauge 6' for dimmable luminaires <b>F2/5W</b> 3/8" single flex, 5 wire 18 gauge 6' for dimmable luminaires <b>F2/6W</b> 3/8" single flex, 6 wire 18 gauge 6' for dimmable and emergency luminaires <b>GLR</b> Fusing, fast blow <b>EMLED</b> Bodine BSL310 10W battery pack <b>EMLED7</b> Bodine BSL17 7W battery pack <b>CHIC</b> Chicago Plenum rated

### Accessories (order separately)

- **FMA24** – 2'x4' "F" mounting frame for NEMA "F" mounting
- **FSK24** – 2'x4' surface mount field installation kit (factory welded seams)
- **FSF24** – 2'x4' surface mount field assembly kit (field assembled)
- **4PCH48-1-SC** – adjustable cable hanger kit for 2x4 with straight white 18/3 cord (two-1 powered, 1 non-powered)
- **4PCH48-1D-SC** – adjustable cable hanger kit for 2x4 with straight white 18/5 cord for dimming (two-1 powered, 1 non-powered)

### Footnotes

- 1 0-10v dimming to 1% for Standard, and 5% for Base configurations
- 2 All options available with Standard configurations only
- 3 XDIM requires 120V or 277V specification
- 4 Available with 54L package or lower
- 5 Standard configurations are packaged one unit per carton
- 6 Base configurations are packaged two units per carton, and sold in even quantities only

### Energy data

Luminaire	Catalog Number	Input Power	Efficacy
2x4 Standard	2FXP38L840	33	109
	2FXP43L840	39	107
	2FXP48L840	47	105
	2FXP54L840	51	104
	2FXP60L840	58	101
2x4 Base	2FXP42B840	38	112



# 2FXP FluxPanel LED recessed 2x4

Up to 6000 lumens

## Application

- 7/16" ultra shallow light guide profile.
- Overall 1-15/16" deep luminaire, including driver box, provides minimal intrusion into the plenum space.
- Even distribution of light on the lens provides exceptionally low glare gradient minimizing distractions at the ceiling plane.
- General light distribution creates uniform horizontal and vertical illuminance on the work plane and limits scalloping on the walls.
- Excellent consistency of correlated color temperature (CCT) per ANSI C78.377.
- CRI 80 minimum color rendering with balanced spectrum.
- Designed for use with standard Grid (NEMA "G") or Narrow Grid (NEMA "NFG") ceiling T-bars. Drywall or plaster application require use with the FMA24 "F" mounting frame accessory (sold and shipped separately).
- Accessory field install kits available for surface (FSK24) and suspended (4PCH48) mounting.
- Edge lit LED arrays provide highly efficient and unpixelated transfer of light to the light guide panel.
- Integral clips accommodate definitive attachment to T-bar grid for recessed applications.
- Die formed surface box accessory kit post painted gloss white enamel.
- Suspended accessory kits available, include cables, luminaire mounting clips, and adjustable connectors.
- All Base configurations are shipped two luminaires per master carton. Standard configurations are one luminaire per master carton.
- Electromagnetic interference (EMI) compliant to FCC Title 47 Part 15 class A.
- Flicker and stroboscopic effect compliant to NEMA 77-2017.
- TM-21 predicted L70 lumen maintenance up to 84,000 hours per LED manufacturer LM-80 report.
- cULus (Base) or cETLus (Standard) listed to UL and CSA standards, suitable for damp locations.
- Base configurations are non-IC rated. Standard configurations are IC rated.
- FluxPanel luminaires are Designlights Consortium<sup>®</sup> qualified. Please see the DLC QPL list for exact catalog numbers (<http://www.designlights.org/QPL>).

## Construction/Finish

- Extruded aluminum frame post painted with gloss white enamel finish. Corners are precision welded for seamless aesthetic.
- Emergency options available with factory installed battery pack and remote field installed test switch/light with cover plate.
- Die formed driver box with standard access plate for ease of wiring, provides tool-free access to driver(s) from above.

## Enclosure

- Acrylic diffuser provides visual comfort and high efficiency.
- Flat opal lens is easy to clean and provides a uniform aesthetic on the ceiling plane.
- Tight enclosure assembly impedes ingress of dust and insects.

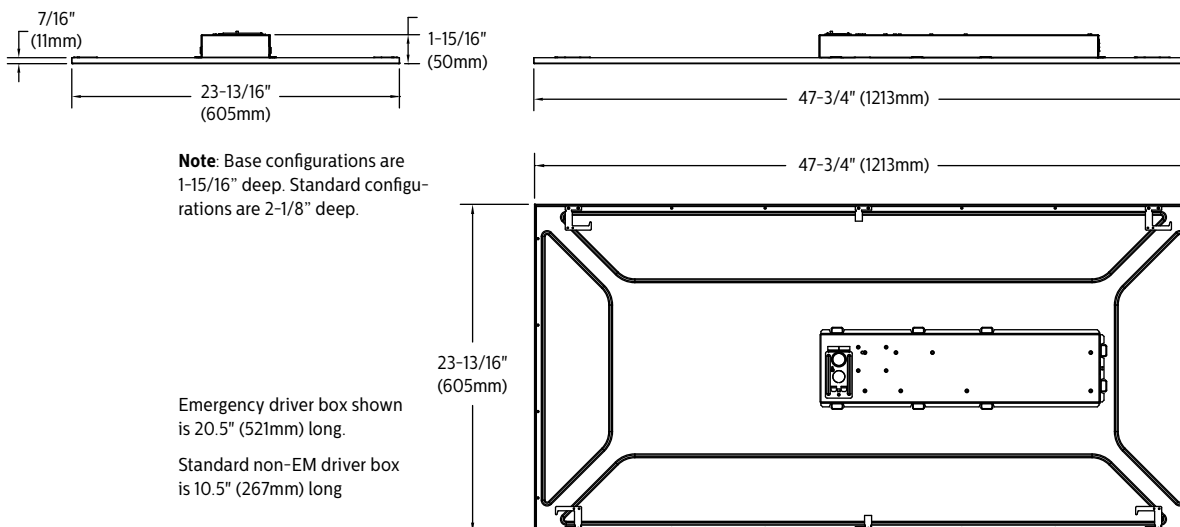
## Electrical

- Up to 111 lm/W efficacy.
- High efficiency Philips Advance driver featuring high power factor (>0.90), 120-277V 60/50Hz, and less than 15% THD.
- Minimum start temperature -20°C (-4°F).
- Standard configurations are 0-10V dimming to 1%. Base configurations are to 5%.
- To predict lumen output in emergency mode, multiply emergency pack wattage by luminaire efficacy, then by 1.10. Typical lumen output is 1200lm for EMLED, and 850lm for EMLED7.

## General Notes

- All options factory installed.
- All accessories are field installed.
- Many luminaire components, such as reflectors, refractors, lenses, sockets, lampholders, and LEDs are made from various types of plastics which can be adversely affected by airborne contaminants. If sulfur based chemicals, petroleum based products, cleaning solutions, or other contaminants are expected in the intended area of use, consult factory for compatibility.
- Five year limited luminaire warranty includes LED boards and driver. Visit [www.philips.com/warranties](http://www.philips.com/warranties) for complete warranty information.

## Dimensions



# 2FXP FluxPanel LED recessed 2x4

Up to 6000 lumens

## 2x4 FluxPanel LED, 4200 nominal delivered lumens 3500K

## LER – 108

<b>Catalog No.</b>	2FXP42B835-4-DS-UNV-DIM	<b>Candlepower</b>				<b>Light Distribution</b>			<b>Average Luminance</b>					
<b>Test No.</b>	38280	<b>Angle</b>	<b>End</b>	<b>45</b>	<b>Cross</b>	<b>Degrees</b>	<b>Lumens</b>	<b>% Luminaire</b>	<b>Angle</b>	<b>End</b>	<b>45°</b>	<b>Cross</b>		
<b>S/MH</b>	1.3	0	1444	1444	1444	0-30	1122	27.2	45	2135	2137	2132		
<b>Lamp Type</b>	LED	5	1430	1439	1447	0-40	1839	44.7	55	2062	2058	2054		
<b>Lumens/Lamp</b>	4116	15	1379	1389	1395	0-60	3260	79.2	65	1925	1923	1864		
<b>Input Watts</b>	38	25	1284	1288	1292	0-90	4115	100.0	75	1544	1555	1563		
		35	1144	1148	1146	0-180	4116	100.0	85	1048	1187	1288		
		45	967	968	966	<b>Coefficients of Utilization</b>								
		55	758	756	755	<b>EFFECTIVE FLOOR CAVITY REFLECTANCE 20 PER (pfc=0.20)</b>								
		65	521	521	505	<b>pcc</b>	<b>80</b>			<b>70</b>			<b>50</b>	
		75	256	258	259	<b>pw</b>	70	50	30	70	50	30	50	30
		85	59	66	72	<b>RCR</b>								
		Comparative yearly lighting energy cost per 1000 lumens – <b>\$2.22</b> based on 3000 hrs. and \$.08 pwr KWH.												
		The photometric results were obtained in the Philips Day-Brite laboratory which is NVLAP accredited by the National Institute of Standards and Technology.												
		Photometric values based on test performed in compliance with LM-79.												

## 2x4 FluxPanel LED, 4200 nominal delivered lumens 4000K

## LER – 112

<b>Catalog No.</b>	2FXP42B840-4-DS-UNV-DIM	<b>Candlepower</b>				<b>Light Distribution</b>			<b>Average Luminance</b>					
<b>Test No.</b>	38281	<b>Angle</b>	<b>End</b>	<b>45</b>	<b>Cross</b>	<b>Degrees</b>	<b>Lumens</b>	<b>% Luminaire</b>	<b>Angle</b>	<b>End</b>	<b>45°</b>	<b>Cross</b>		
<b>S/MH</b>	1.3	0	1482	1482	1482	0-30	1154	27.2	45	2178	2183	2181		
<b>Lamp Type</b>	LED	5	1467	1476	1484	0-40	1894	44.6	55	2105	2103	2096		
<b>Lumens/Lamp</b>	4245	15	1420	1427	1434	0-60	3361	79.2	65	1961	1961	1908		
<b>Input Watts</b>	38	25	1321	1329	1332	0-90	4243	100.0	75	1572	1586	1596		
		35	1179	1183	1184	0-180	4245	100.0	85	1070	1208	1309		
		45	998	1000	999	<b>Coefficients of Utilization</b>								
		55	782	781	779	<b>EFFECTIVE FLOOR CAVITY REFLECTANCE 20 PER (pfc=0.20)</b>								
		65	537	537	522	<b>pcc</b>	<b>80</b>			<b>70</b>			<b>50</b>	
		75	264	266	268	<b>pw</b>	70	50	30	70	50	30	50	30
		85	60	68	74	<b>RCR</b>								
		Comparative yearly lighting energy cost per 1000 lumens – <b>\$2.14</b> based on 3000 hrs. and \$.08 pwr KWH.												
		The photometric results were obtained in the Philips Day-Brite laboratory which is NVLAP accredited by the National Institute of Standards and Technology.												
		Photometric values based on test performed in compliance with LM-79.												

© 2018 Philips Lighting Holding B.V. All rights reserved. Philips reserves the right to make changes in specifications and/or to discontinue any product at any time without notice or obligation and will not be liable for any consequences resulting from the use of this publication.



Philips Lighting North America Corporation  
200 Franklin Square Drive, Somerset, NJ 08873  
Tel. 855-486-2216

Philips Lighting Canada Ltd.  
281 Hillmount Rd, Markham, ON, Canada L6C 2S3  
Tel. 800-668-9008