

FEATURES & SPECIFICATIONS

INTENDED USE — Recessed housing rated IC. For remodel construction only.

Approved for factory assembled wiring only.

Approved for direct burial in insulation.

CONSTRUCTION — Air-tight standard. Tested to meet current energy codes.

Steel housing with 3 remodel clips and wire nuts for installation in existing plaster, sheet rock or mechanical ceiling. Heavy-gauge galvanized steel raceway arm.

Galvanized steel junction box with three 7/8" knockouts with slots for pryout. Not suitable for pulling wires.

Hook & hang snap-on J-box doors for easy access.

Rated for 90° Ground wire provided.

ELECTRICAL — Quick disconnect provided for power connection to the LED modules.

Paint overspray masked by disposable disconnect plug.

Housing and LED module combination is IC rated and thermally protected.

120 volt only.

INSTALLATION — Air-tight housing suitable for air-tight installations. Refer to energy codes for proper installations.

2x8 and 2x6 existing ceiling or T-bar ceiling panel installation.

LISTINGS — UL Listed to US and Canadian safety standards. Damp location listing (See trim selection for wet location listing).

WARRANTY — 1-year limited warranty. Complete warranty terms located at www.acuitybrands.com/CustomerResources/Terms_and_conditions.aspx

Note: Actual performance may differ as a result of end-user environment and application. Specifications subject to change without notice.

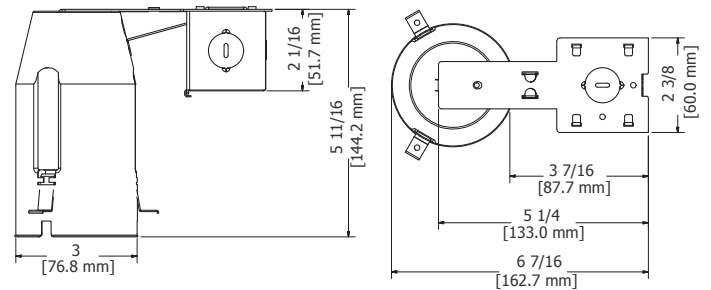
Catalog Number
Notes
Type

3" LED Housing

L2XRLED T24



LED
IC
Remodel Construction



Specifications

- Aperture: 3 (7.6)
- Ceiling opening: 3-1/8 (7.9)
- Overlap trim: 4 (10.2)
- Height: 6 (15.2)
- Length: 7-1/8 (18.1)
- Max ceiling thickness: 5/8" gypsum; 3/4" drop ceiling
- All dimensions are inches (centimeters) unless otherwise specified.

ORDERING INFORMATION

For shortest lead times, configure product using **bolded options**.

Example: L2XRLED

L2XRLED	
Series	
L2XRLED	3" LED Remodel Housing

Notes

See trim modules on page 2

L2XRLED T24 3" Remodel Housing

iGimbal LED Module (Damp Location)

5
YEAR
warranty

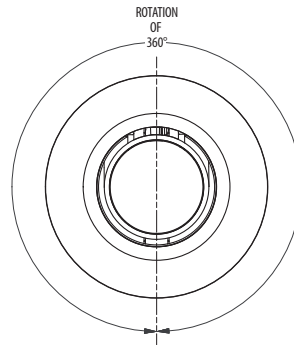
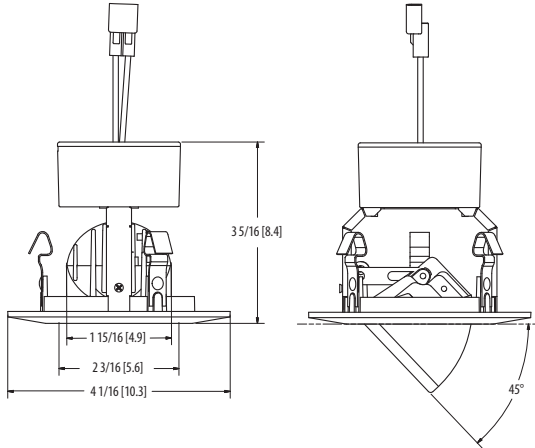


ORDERING INFORMATION

Lead times will vary depending on options selected. Consult with your sales representative.

Example: 3iG LED 30K 90CRI L2XRLED T24

Series/Finish	Lamp	CCT/CRI/W/Lumens	Voltage
3iG 3" iGimbal module MW Matte White MB Matte black ¹ BN Brushed nickel ¹ ORB Oil-rubbed bronze ¹	LED	27K 90CRI 2700K/90CRI/8.7W/530L 30K 90CRI 3000K/91CRI/8.7W/560L 40K 90CRI 4000K/92CRI/8.7W/590L	(blank) 120V



Notes

- 1 Minimum 90-day lead time for non-standard color finishes; minimum 50-piece order quantity.

L2XRLED T24 3" Remodel Housing

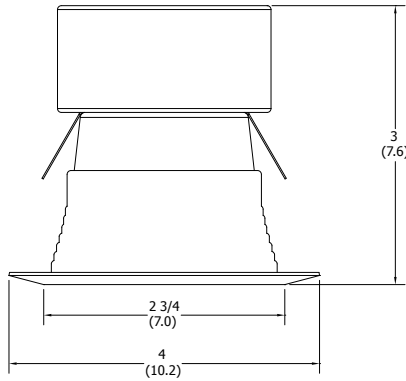
E Series LED Modules (Wet Location)



ORDERING INFORMATION For shortest lead times, configure product using **bolded options**.

Example: 3BEMW LED 30K 90CRI L2XRLED T24

Series/Finish	LED	Color temp/Watts/Lumens	CRI	Voltage
3BEMW 3" Baffle LED Module matte white	Lamps			
	LED	30K 3000K / 7.4W / 450L	90CRI 90 CRI	(blank) 120V



ORDERING INFORMATION For shortest lead times, configure product using **bolded options**.

Example: 43BEMW LED 30K L2XRLED T24

Series/Finish	LED	CCT/CRI/W/Lumens	Voltage
43BEMW 3"/4" baffle LED module, matte white	Lamps		
	LED	30K 3000K/80CRI/8.5W/590L	(blank) 120V

