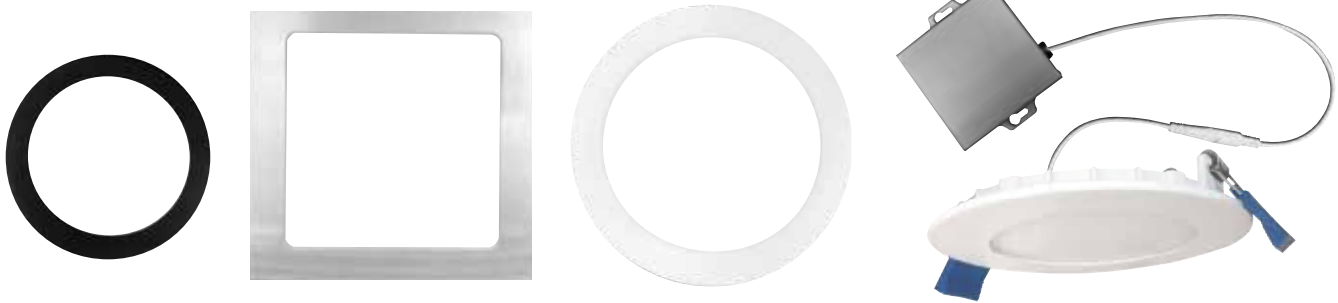




LED LPDL™

LPDL™ (Low Profile Downlight) gives you all the flexibility you need during installation, especially in confined areas or when facing constraints such as wood beams, ceiling joist or air ducts. The driver is mounted separately from the light source which allows the luminaire profile to be less than 1" thick!



S1 - Small junction box

(Meets UL standard for branch connection)

| Order code | Description | Watts (W) | Volts (VAC) | Colour temp. (K) | Lumen output (lm) | CRI | Life L70 (hrs) | Beam angle (°) | Finish | Traditional equivalent (W) | Case qty (master) |
|--------------------------|----------------------------------|-----------|-------------|------------------|-------------------|-----|----------------|----------------|----------------|----------------------------|-------------------|
| 3" Round | | | | | | | | | | | |
| 65851 | LPDL3/RND/7W/30K/WH/STD | 7 | 120 | 3 000 | 480 | 80 | 50 000 | 110 | White | 50 | 24 |
| 65852 | LPDL3/RND/7W/30K/BN/STD | 7 | 120 | 3 000 | 480 | 80 | 50 000 | 110 | Brushed nickel | 50 | 24 |
| 65853 | LPDL3/RND/7W/40K/WH/STD | 7 | 120 | 4 000 | 500 | 80 | 50 000 | 110 | White | 50 | 24 |
| 65854 | LPDL3/RND/7W/40K/BN/STD | 7 | 120 | 4 000 | 500 | 80 | 50 000 | 110 | Brushed nickel | 50 | 24 |
| 3" Round Warm-Dim | | | | | | | | | | | |
| 65858 | LPDL3/RND/7W/30-22K/WH/W-DIM/STD | 7 | 120 | 3 000-2 200 | 400 | 80 | 50 000 | 110 | White | 50 | 24 |
| 65859 | LPDL3/RND/7W/30-22K/BN/W-DIM/STD | 7 | 120 | 3 000-2 200 | 400 | 80 | 50 000 | 110 | Brushed nickel | 50 | 24 |
| 3" Square | | | | | | | | | | | |
| 65855 | LPDL3/SQR/7W/30K/WH/STD | 7 | 120 | 3 000 | 430 | 80 | 50 000 | 110 | White | 50 | 24 |
| 65856 | LPDL3/SQR/7W/30K/BN/STD | 7 | 120 | 3 000 | 430 | 80 | 50 000 | 110 | Brushed nickel | 50 | 24 |
| 65857 | LPDL3/SQR/7W/40K/WH/STD | 7 | 120 | 4 000 | 450 | 80 | 50 000 | 110 | White | 50 | 24 |
| 4" Round | | | | | | | | | | | |
| 63879 | LPDL4/RND/9W/27K/WH/STD | 9 | 120 | 2 700 | 520 | 80 | 50 000 | 120 | White | 50 | 24 |
| 63882 | LPDL4/RND/9W/30K/WH/STD | 9 | 120 | 3 000 | 550 | 80 | 50 000 | 120 | White | 50 | 24 |
| 63884 | LPDL4/RND/9W/30K/BN/STD | 9 | 120 | 3 000 | 550 | 80 | 50 000 | 120 | Brushed nickel | 50 | 24 |
| 63883 | LPDL4/RND/9W/30K/BK/STD | 9 | 120 | 3 000 | 550 | 80 | 50 000 | 120 | Black | 50 | 24 |
| 63885 | LPDL4/RND/9W/40K/WH/STD | 9 | 120 | 4 000 | 580 | 80 | 50 000 | 120 | White | 50 | 24 |
| 63887 | LPDL4/RND/9W/40K/BN/STD | 9 | 120 | 4 000 | 580 | 80 | 50 000 | 120 | Brushed nickel | 50 | 24 |
| 63886 | LPDL4/RND/9W/40K/BK/STD | 9 | 120 | 4 000 | 580 | 80 | 50 000 | 120 | Black | 50 | 24 |
| 4" Round Warm-Dim | | | | | | | | | | | |
| 65364 | LPDL4/RND/9W/30-22K/WH/W-DIM/STD | 9 | 120 | 3 000-2 200 | 500 | 80 | 50 000 | 120 | White | 50 | 24 |
| 65365 | LPDL4/RND/9W/30-22K/BN/W-DIM/STD | 9 | 120 | 3 000-2 200 | 500 | 80 | 50 000 | 120 | Brushed nickel | 50 | 24 |
| 4" Square | | | | | | | | | | | |
| 63891 | LPDL4/SQR/9W/30K/WH/STD | 9 | 120 | 3 000 | 530 | 80 | 50 000 | 120 | White | 50 | 24 |
| 63893 | LPDL4/SQR/9W/30K/SLV/STD | 9 | 120 | 3 000 | 530 | 80 | 50 000 | 120 | Brushed nickel | 50 | 24 |
| 6" Round | | | | | | | | | | | |
| 63864 | LPDL6/RND/12W/30K/WH/STD | 12 | 120 | 3 000 | 780 | 80 | 50 000 | 120 | White | 60 | 24 |
| 63866 | LPDL6/RND/12W/30K/BN/STD | 12 | 120 | 3 000 | 780 | 80 | 50 000 | 120 | Brushed nickel | 60 | 24 |
| 63867 | LPDL6/RND/12W/40K/WH/STD | 12 | 120 | 4 000 | 800 | 80 | 50 000 | 120 | White | 60 | 24 |
| 63869 | LPDL6/RND/12W/40K/BN/STD | 12 | 120 | 4 000 | 800 | 80 | 50 000 | 120 | Brushed nickel | 60 | 24 |



AIRTIGHT



DAMP



DIMMABLE



IC RATED



QUICK CONNECT



WARM DIM



PRORATED WARRANTY



Intertek



ENERGY STAR

Lumen values are derived from photometric testing.
For a complete list of compatible dimmers and ENERGY STAR qualified products, please visit www.standardpro.com

LED LPDL™



S2 - Large junction box

(Meets both UL and CEC standards for branch connection)

| Order code | Description | Watts (W) | Volts (VAC) | Colour temp. (K) | Lumen output (lm) | CRI | Life L70 (hrs) | Beam angle (°) | Finish | Traditional equivalent (W) | Case qty (master) |
|--------------------------------------|-------------------------------------|-----------|-------------|------------------|-------------------|-----|----------------|----------------|----------------|----------------------------|-------------------|
| 4" Round Warm-Dim | | | | | | | | | | | |
| 65944 | LPDL4/S2/RND/9W/30-22K/WH/W-DIM/STD | 9 | 120 | 3 000-2 200 | 450 | 80 | 50 000 | 120 | White | 50 | 24 |
| 65945 | LPDL4/S2/RND/9W/30-22K/BN/W-DIM/STD | 9 | 120 | 3 000-2 200 | 450 | 80 | 50 000 | 120 | Brushed nickel | 50 | 24 |
| 4" Round Wet Location | | | | | | | | | | | |
| 65724 | LPDL4/RND/9W/30K/WH/WET/STD | 9 | 120 | 3 000 | 550 | 80 | 50 000 | 120 | White | 50 | 24 |
| 66220 | LPDL4/RND/9W/30K/BN/WET/STD | 9 | 120 | 3 000 | 550 | 80 | 50 000 | 120 | Brushed nickel | 50 | 24 |
| 65725 | LPDL4/RND/9W/40K/WH/WET/STD | 9 | 120 | 4 000 | 580 | 80 | 50 000 | 120 | White | 50 | 24 |
| 66221 | LPDL4/RND/9W/40K/BN/WET/STD | 9 | 120 | 4 000 | 580 | 80 | 50 000 | 120 | Brushed nickel | 50 | 24 |
| 4" Round FT6 cable for plenum | | | | | | | | | | | |
| 66960 | LPDL4/S2/FT6/RND/9W/30K/WH/STD | 9 | 120 | 3 000 | 550 | 80 | 50 000 | 120 | White | 50 | 24 |
| 66961 | LPDL4/S2/FT6/RND/9W/40K/WH/STD | 9 | 120 | 4 000 | 580 | 80 | 50 000 | 120 | White | 50 | 24 |
| 4" Round | | | | | | | | | | | |
| 65936 | LPDL4/S2/RND/9W/27K/WH/STD | 9 | 120 | 2 700 | 520 | 80 | 50 000 | 120 | White | 50 | 24 |
| 65937 | LPDL4/S2/RND/9W/30K/WH/STD | 9 | 120 | 3 000 | 550 | 80 | 50 000 | 120 | White | 50 | 24 |
| 65938 | LPDL4/S2/RND/9W/30K/BN/STD | 9 | 120 | 3 000 | 550 | 80 | 50 000 | 120 | Brushed nickel | 50 | 24 |
| 65939 | LPDL4/S2/RND/9W/30K/BLK/STD | 9 | 120 | 3 000 | 550 | 80 | 50 000 | 120 | Black | 50 | 24 |
| 65940 | LPDL4/S2/RND/9W/40K/WH/STD | 9 | 120 | 4 000 | 580 | 80 | 50 000 | 120 | White | 50 | 24 |
| 65941 | LPDL4/S2/RND/9W/40K/BN/STD | 9 | 120 | 4 000 | 580 | 80 | 50 000 | 120 | Brushed nickel | 50 | 24 |
| 65942 | LPDL4/S2/RND/9W/40K/BLK/STD | 9 | 120 | 4 000 | 580 | 80 | 50 000 | 120 | Black | 50 | 24 |
| 65943 | LPDL4/S2/RND/9W/50K/WH/STD | 9 | 120 | 5 000 | 600 | 80 | 50 000 | 120 | White | 50 | 24 |
| 4" Square | | | | | | | | | | | |
| 65860 | LPDL4/SQR/S2/9W/30K/WH/STD | 9 | 120 | 3 000 | 550 | 80 | 50 000 | 120 | White | 50 | 24 |
| 65861 | LPDL4/SQR/S2/9W/30K/BN/STD | 9 | 120 | 3 000 | 550 | 80 | 50 000 | 120 | Brushed nickel | 50 | 24 |
| 65862 | LPDL4/SQR/S2/9W/40K/WH/STD | 9 | 120 | 4 000 | 580 | 80 | 50 000 | 120 | White | 50 | 24 |
| 65863 | LPDL4/SQR/S2/9W/40K/BN/STD | 9 | 120 | 4 000 | 580 | 80 | 50 000 | 120 | Brushed nickel | 50 | 24 |
| 6" Round Wet Location | | | | | | | | | | | |
| 65726 | LPDL6/RND/12W/30K/WH/WET/STD | 12 | 120 | 3 000 | 780 | 80 | 50 000 | 120 | White | 60 | 24 |
| 65727 | LPDL6/RND/12W/40K/WH/WET/STD | 12 | 120 | 4 000 | 800 | 80 | 50 000 | 120 | White | 60 | 24 |
| 6" Round FT6 cable for plenum | | | | | | | | | | | |
| 66962 | LPDL6/S2/FT6/RND/12W/30K/WH/STD | 12 | 120 | 3 000 | 780 | 80 | 50 000 | 120 | White | 60 | 24 |
| 66963 | LPDL6/S2/FT6/RND/12W/40K/WH/STD | 12 | 120 | 4 000 | 800 | 80 | 50 000 | 120 | White | 60 | 24 |
| 6" Round | | | | | | | | | | | |
| 65946 | LPDL6/S2/RND/12W/30K/WH/STD | 12 | 120 | 3 000 | 780 | 80 | 50 000 | 120 | White | 60 | 24 |
| 65949 | LPDL6/S2/RND/12W/30K/BN/STD | 12 | 120 | 3 000 | 780 | 80 | 50 000 | 120 | Brushed nickel | 60 | 24 |
| 65947 | LPDL6/S2/RND/12W/40K/WH/STD | 12 | 120 | 4 000 | 800 | 80 | 50 000 | 120 | White | 60 | 24 |
| 65950 | LPDL6/S2/RND/12W/40K/BN/STD | 12 | 120 | 4 000 | 800 | 80 | 50 000 | 120 | Brushed nickel | 60 | 24 |
| 65948 | LPDL6/S2/RND/12W/50K/WH/STD | 12 | 120 | 5 000 | 820 | 80 | 50 000 | 120 | White | 60 | 24 |
| 6" Square | | | | | | | | | | | |
| 65864 | LPDL6/SQR/S2/12W/30K/WH/STD | 12 | 120 | 3 000 | 780 | 80 | 50 000 | 120 | White | 60 | 24 |



AIRTIGHT



DAMP



DIMMABLE



IC RATED



QUICK CONNECT



WARM DIM



WET



PRORATED WARRANTY

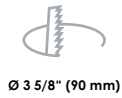


Intertek

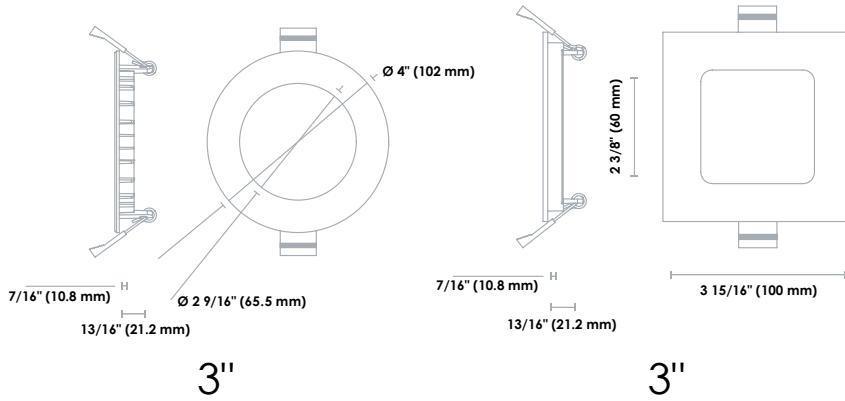


ENERGY STAR

Dimensions

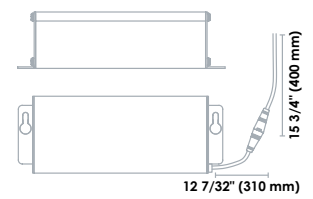


Ø 3 5/8" (90 mm)



3"

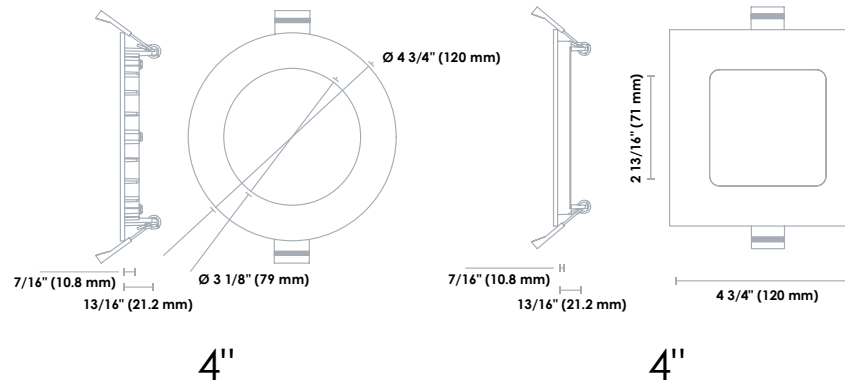
3"



3" LED Driver

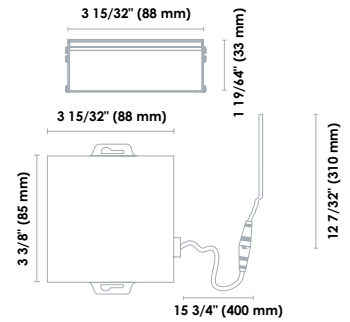


Ø 4 1/4" (108 mm)

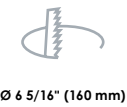


4"

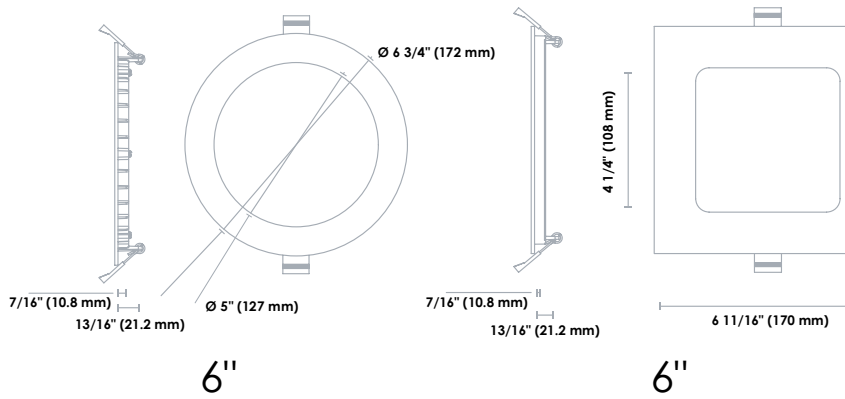
4"



S1 4" and 6" LED Driver

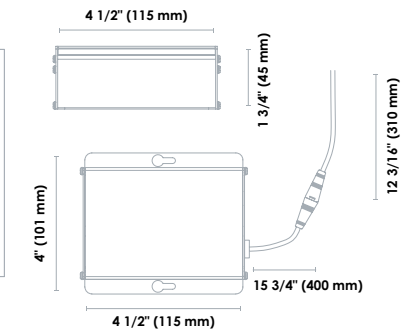


Ø 6 5/16" (160 mm)



6"

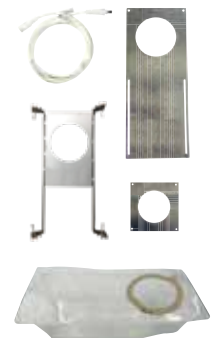
6"



S2 4" and 6" LED Driver

Accessories

| Order Code | Description | Opening diameter (in.) | Type | Case qty (master) |
|------------|----------------------------------|------------------------|---------------------------------|-------------------|
| 66049 | ACC/MPLATE/3.625IN/SQR/STD | 3 5/8 | Square mounting plate | 96 |
| 66056 | ACC/MPLATE/3.625IN/ADJ/STD | 3 5/8 | Adjustable mounting plate | 96 |
| 66142 | ACC/3/VAPOR BARRIER/STD | 3 5/8 | Vapor barrier extender | 50 |
| 66820 | ACC/MPLATE/3.625IN/HANG.BARS/STD | 3 5/8 | Mounting plate with hanger bars | 25 |
| 66051 | ACC/MPLATE/4.25IN/SQR/STD | 4 1/4 | Square mounting plate | 100 |
| 66058 | ACC/MPLATE/4.25IN/ADJ/STD | 4 1/4 | Adjustable mounting plate | 50 |
| 66821 | ACC/MPLATE/4.25IN/HANG.BARS/STD | 4 1/4 | Mounting plate with hanger bars | 25 |
| 66143 | ACC/4/VAPOR BARRIER/STD | 4 1/4 | Vapor barrier extender | 50 |
| 66822 | ACC/MPLATE/6.25IN/HANG.BARS/STD | 6 1/4 | Mounting plate with hanger bars | 25 |
| 64263 | ACC/MPLATE/6.25IN/SQR/STD | 6 1/4 | Square mounting plate | 96 |
| 64921 | ACC/MPLATE/6.25IN/ADJ/STD | 6 1/4 | Adjustable mounting plate | 24 |
| 66144 | ACC/6/VAPOR BARRIER/STD | 6 7/32 | Vapor barrier extender | 50 |
| 64264 | LPDL/ACC/6FT/EXTCABLE/STD | - | 6' extension cord | 96 |
| 66964 | LPDL/ACC/6FT/EXTCABLE/FT6/STD | - | 6' FT6 extension cord | 96 |



Lumen values are derived from photometric testing. For a complete list of compatible dimmers and ENERGY STAR qualified products, please visit www.standardpro.com