

ATF7415

15W LED Track Head
Track Lighting

Job Information		
Project Name		Type
Location		
Quantity		Date
Contact/Phone		
Notes		

Features

Body

Constructed of aluminum, the body features an aesthetically pleasing smooth cylindrical shape. The body included a colour matching aluminum heat sink in order to provide maximum heat dissipation.

Beam Spread

The fixture is available in a 15°, 20°, 38° and 60° beam angles.

Dimming

The track fixture is dimmable when used with TRIAC dimming controls (Consult factory for compatible dimmers).

Adjustability

Adjustable up to 90° tilt and 330° rotation to allow for spotlight into multiple directions.

LED Characteristics

High powered 15W CREE® CXA1512 LED array maintains uniform intensity

with a typical luminous flux up to 1400 lumens, making it a suitable replacement for 55W PAR38 halogen and 22W PAR20 CMH lamps; with a CRI of 80+ and 90. Available in 3000 K, 3500 K and 4000 K correlated colour temperature.

Compatibility

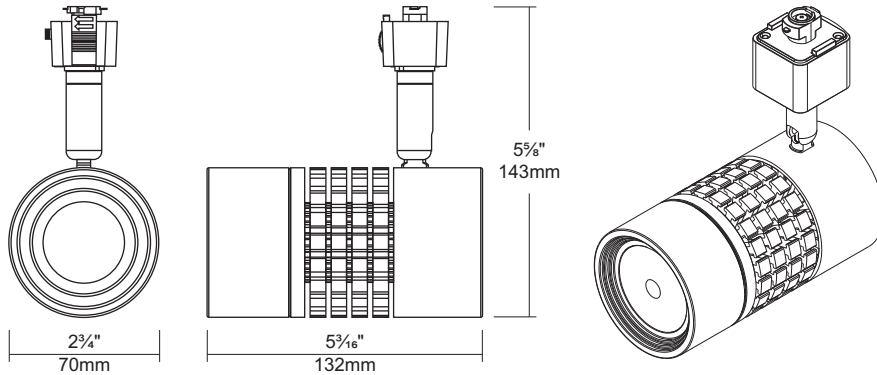
Fixture is provided with A-Line connector which is compatible with Juno style track. For other connector configurations (Halo, Liteline), please contact your A-Line representative.

SPECIFICATION	
Application	Track
Approved Location	Dry
Beam Angle	15° / 20° / 38° / 60°
CBCP	2853
CCT	3000 K / 3500 K / 4000 K
Certification	cULus
Colour	BK / WH
CRI	80+ / 90
Dimming	Yes
Dimming Tech	TRIAC
Energy Star®	Yes
LM79	Yes
LM80	Yes
Lumens	1160 / 1160 / 1240
Lumens (90CRI)	1400 (only 3000 K)
Lumens per Watt	77.3 / 77.3 / 82.6
Primary Voltage	120
Projected Life	70% @ 50,000HRS
Rotation	330°
Tilt	90°
Warranty	3 Years
Wattage	15



Description

The ATF7415 is a 15W high powered, Energy Star® approved LED track fixture specially designed for task and accent lighting. Available black, silver and white finishes.



Only available for 3000 K

Notes: For additional options please consult your A-Line Lighting representative. Juno is a registered trademark of Juno Lighting Group. Halo is a registered trademark of Cooper Lighting. Capri is a registered trademark of Philips. Due to our continued efforts to improve our products, product specifications are subject to change without notice.

Ordering Guide

Connector Type	-	ATF7415	-	Colour Temp.	-	CRI	-	Beam Spread	-	Colour/Finish
Blank : A-Line or Juno H : Halo LL : Liteline				30 : 3000 K 35 : 3500 K 40 : 4000 K		Blank : 80CRI 90 : 90CRI ¹		15 : 15° 20 : 20° 38 : 38° 60 : 60°		BK : Black WH : White

Accessories



ATF7415-HC

Honeycomb accessory for ATF7415 series. Available in black or white body.



ATF7415-SN

Snoot accessory for ATF7415 series. Available in black or white body.

Notes:

¹ 90 CRI only available in 3000 K.

Photometry

ATF7415-3038 : LED TRACK HEAD, 15W, 3000 K, 38° Beam Spread

Zonal Lumen Summary

Zone	Lumens	% Luminaire
0-30	972.8	84%
0-40	1,079.6	93.2%
0-60	1,141.9	98.6%
60-90	16.3	1.4%
70-100	4.8	0.4%
90-120	0	0%
0-90	1,158.2	100%
90-180	0.0	0%
0-180	1,158.2	100%

