

# ATF7545

## 45W LED Track Head Track Lighting

Job Information		
Project Name		Type
Location		
Quantity		Date
Contact/Phone		
Notes		

### Features

#### Body

Constructed of aluminum, the body features an aesthetically pleasing smooth cylindrical shape. The body included a colour matching aluminum heat sink in order to provide maximum heat dissipation.

#### Beam Spread

With a PMMA reflector lens, this fixture is available in 15° and 38° beam angle.

#### Adjustability

Adjustable up to 90° tilt and 330° rotation to allow for spotlight into multiple directions.

#### LED Characteristics

High powered 45W CREE® CXA2540 LED array maintains uniform intensity with a typical luminous flux up to 4428 lumens, making it a suitable replacement for 70W PAR30 HID

lamps; with a CRI of 80+. Available in 3000 K and 3500 K correlated colour temperature.

#### Compatibility

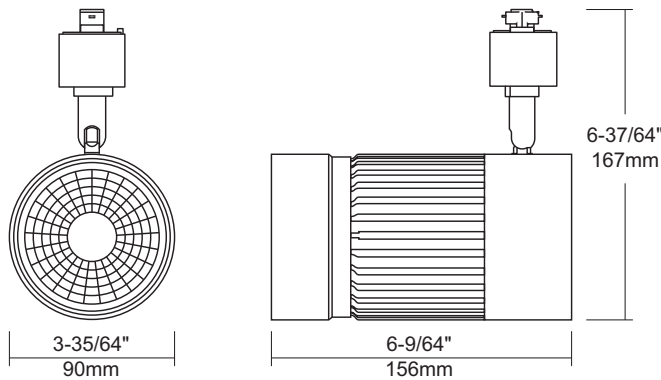
Fixture is provided with A-Line connector which is compatible with Juno style track. For other connector configurations (Halo, Liteline), please contact your A-Line representative.

SPECIFICATION	
Application	Track
Approved Location	Dry
Beam Angle	15° / 38°
CCT	3000 K / 3500 K
Certification	cETLus
Colour	BK / WH
CRI	80+
LED Life Span	40,000 hrs
LM79	Yes
LM80	Yes
Lumens	Up to 4428
Lumens per Watt	Up to 98.4
Max. Case Temp.	85°C (185°F)
Min. Starting Temp.	-20°C (-4°F)
Power Factor	0.99
Primary Voltage	120-240V AC
Projected Life	70% @ 50,000 hrs
Rotation	330°
Tilt	90°
Warranty	3 Years
Wattage	45W



### Description

The ATF7545 is a 45W high powered LED track fixture specially designed for task and accent lighting. Available in black, silver and white finishes.



**Notes:** For additional options please consult your A-Line Lighting representative. Juno is a registered trademark of Juno Lighting Group. Halo is a registered trademark of Cooper Lighting. Due to our continued efforts to improve our products, product specifications are subject to change without notice.

### Ordering Guide

Connector Type		Colour Temp.	Beam Spread	Colour/Finish
<input type="text"/>	- ATF7545 -	<input type="text"/>	<input type="text"/>	<input type="text"/>
<b>Blank</b> : A-Line or Juno <b>H</b> : Halo <b>LL</b> : Liteline		<b>30</b> : 3000 K <b>35</b> : 3500 K	<b>15</b> : 15° <b>38</b> : 38°	<b>BK</b> : Black <b>SL</b> : Silver <b>WH</b> : White

Example: ATF7545-3038-WH

# Photometry

ATF7545-3038 : 45W, LED Track, 3000 K, 38° Beam Angle

## Zonal Lumen Summary

Zone	Lumens	% Luminaire
0-30	3,280.8	73.9%
0-40	3,832.4	86.3%
0-60	4,269.8	96.1%
60-90	161.7	3.6%
70-100	60.7	1.4%
90-120	4.3	0.1%
0-90	4,431.5	99.8%
90-180	9.9	0.2%
0-180	4,441.4	100%

