

# PHILIPS Day-Brite CFI

Recessed

FluxPanel  
LED 1x4

Up to 4500 lumens



Project: \_\_\_\_\_  
 Location: \_\_\_\_\_  
 Cat.No: \_\_\_\_\_  
 Type: \_\_\_\_\_  
 Lamps: \_\_\_\_\_ Qty: \_\_\_\_\_  
 Notes: \_\_\_\_\_

Philips Day-Brite/Philips CFI FluxPanel LED recessed is a highly versatile luminaire designed to provide smooth lighting gradient on the lens surface and ease of installation. Available for use in recessed, suspended, and surface mount orientation, FluxPanel is ideal for general lighting applications such as open office, schools, healthcare, and retail.

**Ordering guide – Standard configurations available with all choices, unless otherwise noted. Base configurations selections indicated by blue.**

**Example: 1FXP38L840-4-DS-UNV-DIM-EMLED7**

Width	Family	Lumens	Color	Length	Diffuser	Voltage	Driver	Options <sup>2</sup>
1	FXP		–	4	DS	–	–	
1' 1'	FXP FluxPanel	<b>Standard configurations<sup>4</sup></b> <b>30L</b> 3000 nominal delivered lumens <b>38L</b> 3800 nominal delivered lumens <b>45L</b> 4500 nominal delivered lumens  <b>Base configuration<sup>5</sup></b> <b>38B</b> 3800 nominal delivered lumens	<b>835</b> 80 CRI, 3500K <b>840</b> 80 CRI, 4000K	4' 4'	DS Diffuse (smooth)	<b>UNV</b> Universal Voltage, 120-277 volt <b>120<sup>3</sup></b> 120V <b>277<sup>3</sup></b> 277V <b>347</b> 347V	<b>DIM<sup>1</sup></b> 0-10V dimming <b>SDIM</b> Step dimming to 40% input power <b>XDIM<sup>3</sup></b> MarkX phase dimming	<b>F1</b> 3/8" flex, 3 wire 18 gauge 6' <b>F2</b> 3/8" flex, 4 wire 18 gauge 6' <b>F1/D</b> 3/8" twin flex, 3 wire 18 gauge 6' for dimmable luminaires <b>F2/5W</b> 3/8" single flex, 5 wire 18 gauge 6' for dimmable luminaires <b>F2/6W</b> 3/8" single flex, 6 wire 18 gauge 6' for dimmable and emergency luminaires <b>GLR</b> Fusing, fast blow <b>EMLED</b> Bodine BSL310 10W battery pack <b>EMLED7</b> Bodine BSL17 7W battery pack <b>CHIC</b> Chicago Plenum rated <b>IAP<sup>6</sup></b> Integral Interact Pro RF sensor, enables network lighting control

### Accessories (order separately)

- **FMA14** – 1'x4' "F" mounting frame for NEMA "F" mounting
- **FSK14** – 1'x4' surface mount field installation kit (factory sealed welded seams)
- **FSF14** – 1'x4' surface mount field assembly kit (field assembled)
- **4PCH48-1-SC** – adjustable cable hanger kit for 1x4 with straight white 18/3 cord (two-1 powered, 1 non-powered)
- **4PCH48-1D-SC** – adjustable cable hanger kit for 1x4 with straight white 18/5 cord for dimming (two-1 powered, 1 non-powered)

### Energy data

Luminaire	Catalog Number	Input Power	Efficacy
1x4 Standard	1FXP30L840	27	115
	1FXP38L840	33	114
	1FXP45L840	39	111
1x4 Base	1FXP38B840	34	107

### Footnotes

- 1 0-10v dimming to 1% for Standard, and 10% for Base configurations
- 2 All options available with Standard configurations only
- 3 XDIM requires 120V or 277V specification
- 4 Standard configurations are packaged one unit per carton
- 5 Base configurations are packaged two units per carton, and sold in even quantities only
- 6 Specify DIM driver option only.



interact  
ready.

# 1FXP FluxPanel LED recessed 1x4

## Up to 4500 lumens

### Application

- 7/16" ultra shallow light guide profile.
- Overall 1-15/16" deep luminaire, including driver box, provides minimal intrusion into the plenum space.
- Even distribution of light on the lens provides exceptionally low glare gradient minimizing distractions at the ceiling plane.
- General light distribution creates uniform horizontal and vertical illuminance on the work plane and limits scalloping on the walls.
- Excellent consistency of correlated color temperature (CCT) per ANSI C78.377.
- CRI 80 minimum color rendering with balanced spectrum.
- Designed for use with standard Grid (NEMA "G") or Narrow Grid (NEMA "NFG") ceiling T-bars. Drywall or plaster application require use with the FMA14 "F" mounting frame accessory (sold and shipped separately).
- Accessory field install kits available for surface (FSK14) and suspended (4PCH48) mounting.

### Construction/Finish

- Extruded aluminum frame post painted with gloss white enamel finish. Corners are precision welded for seamless aesthetic.
- Emergency options available with factory installed battery pack and remote field installed test switch/light with cover plate.
- Die formed driver box with standard access plate for ease of wiring, provides tool-free access to driver(s) from above.
- Edge lit LED arrays provide highly efficient and unpixilated transfer of light to the light guide panel.
- Integral clips accommodate definitive attachment to T-bar grid for recessed applications.
- Die formed surface box accessory kit post painted gloss white enamel.
- Suspended accessory kits available, include cables, luminaire mounting clips, and adjustable connectors.

- All Base configurations are shipped two luminaires per master carton. Standard configurations are one luminaire per master carton.

### Enclosure

- Acrylic diffuser provides visual comfort and high efficiency.
- Flat opal lens is easy to clean and provides a uniform aesthetic on the ceiling plane.
- Tight enclosure assembly impedes ingress of dust and insects.

### Electrical

- Up to 112 lm/W efficacy.
- High efficiency Philips Advance driver featuring high power factor (>0.90), 120-277V 60/50Hz, and less than 15% THD.
- Minimum start temperature -20°C (-4°F).
- Standard configurations are 0-10V dimming to 1%. Base configurations are to 5%.
- To predict lumen output in emergency mode, multiply emergency pack wattage by luminaire efficacy, then by 1.10. Typical lumen output is 1200lm for EMLED, and 850lm for EMLED7.
- Electromagnetic interference (EMI) compliant to FCC Title 47 Part 15 class A.
- Flicker and stroboscopic effect compliant to NEMA 77-2017.
- TM-21 predicted L70 lumen maintenance up to 81,000 hours per LED manufacturer LM-80 report.
- cULus (Base) or cETLus (Standard) listed to UL and CSA standards, suitable for damp locations.
- Base configurations are non-IC rated. Standard configurations are IC rated.
- FluxPanel luminaires are Designlights Consortium® qualified. Please see the DLC QPL list for exact catalog numbers (<http://www.designlights.org/QPL>).

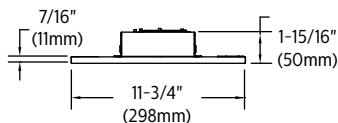
### General Notes

- All options factory installed.
- All accessories are field installed.
- Many luminaire components, such as reflectors, refractors, lenses, sockets, lampholders, and LEDs are made from various types of plastics which can be adversely affected by airborne contaminants. If sulfur based chemicals, petroleum based products, cleaning solutions, or other contaminants are expected in the intended area of use, consult factory for compatibility.
- Five year limited luminaire warranty includes LED boards and driver. Visit [www.philips.com/warranties](http://www.philips.com/warranties) for complete warranty information.

### Interact Pro (IAP)

- Interact Pro brings the power of connected lighting to small and medium businesses without the complexity usually associated with connected lighting.
- Interact Pro includes an app, a portal and a broad portfolio of wireless Luminaires, lamps and retrofit kits all working on the same system.
- Commissioning via Interact Pro App (Android or iPhone)
- Prepare commissioning remotely via Interact Pro portal
- Requires compatible Interact Pro Gateway and internet connectivity for commissioning
- Compatible with UID8451/10 ZigBee Greenpower wireless dimmer switch
- Compatible with wireless Occ sensor (OCC SENSOR IA CM IP42 WH 10/1) or wireless Day/Occ sensor (OCC MULTI SENSOR IA CM WH 10/1)
- For more information on Interact Pro visit: [www.interact-lighting.com/pro](http://www.interact-lighting.com/pro)
- For more information on Interact Ready visit: [www.philips.com/interactready](http://www.philips.com/interactready)

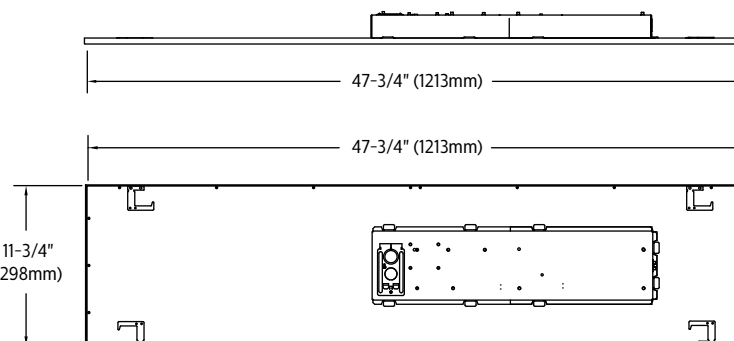
### Dimensions



**Note:** Base configurations are 1-15/16" deep. Standard configurations are 2-1/8" deep.

Emergency driver box shown is 20.5" (521mm) long.

Standard non-EM driver box is 10.5" (267mm) long



# 1FXP FluxPanel LED recessed 1x4

Up to 4500 lumens

## 1x4 FluxPanel LED, 3800 nominal delivered lumens 3500K

## LER – 108

<b>Catalog No.</b>	1FXP38B835-4-DS-UNV-DIM	<b>Candlepower</b>				<b>Light Distribution</b>			<b>Average Luminance</b>					
<b>Test No.</b>	38554	<b>Angle</b>	<b>End</b>	<b>45</b>	<b>Cross</b>	<b>Degrees</b>	<b>Lumens</b>	<b>% Luminaire</b>	<b>Angle</b>	<b>End</b>	<b>45°</b>	<b>Cross</b>		
<b>S/MH</b>	1.3	<b>0</b>	1257	1257	1257	<b>0-30</b>	980	27.2	<b>45</b>	3970	4015	4009		
<b>Lamp Type</b>	LED	<b>5</b>	1233	1254	1263	<b>0-40</b>	1610	44.7	<b>55</b>	3860	3881	3856		
<b>Lumens/Lamp</b>	3604	<b>15</b>	1193	1213	1222	<b>0-60</b>	2860	79.4	<b>65</b>	3406	3409	3361		
<b>Input Watts</b>	33	<b>25</b>	1113	1129	1136	<b>0-90</b>	3603	100.0	<b>75</b>	3020	2952	2880		
		<b>35</b>	995	1009	1010	<b>0-180</b>	3604	100.0	<b>85</b>	2647	2368	2158		
		<b>45</b>	845	854	853									
		<b>55</b>	666	670	665									
		<b>65</b>	433	434	427									
		<b>75</b>	235	230	224									
		<b>85</b>	69	62	57									
Comparative yearly lighting energy cost per 1000 lumens – <b>\$2.22</b> based on 3000 hrs. and \$.08 pwr KWH.														
The photometric results were obtained in the Philips Day-Brite laboratory which is NVLAP accredited by the National Institute of Standards and Technology.														
Photometric values based on test performed in compliance with LM-79.														
						<b>Coefficients of Utilization</b>								
						<b>EFFECTIVE FLOOR CAVITY REFLECTANCE 20 PER (pfc=0.20)</b>								
						<b>pcc</b>	<b>80</b>			<b>70</b>			<b>50</b>	
						<b>pw</b>	70	50	30	70	50	30	50	30
						<b>RCR</b>								
						0	118	118	118	115	115	115	111	111
						1	109	104	100	106	102	97	96	93
						2	98	91	83	95	89	81	84	80
						3	90	79	70	88	78	69	75	68
						4	81	69	61	80	68	60	67	58
						5	76	63	54	73	61	53	59	52
						6	69	56	47	68	56	46	54	46
						7	65	51	41	63	50	41	48	40
						8	59	46	38	58	46	38	45	36
						9	56	42	34	55	41	34	40	34
						10	53	40	32	52	39	30	38	30

## 1x4 FluxPanel LED, 3800 nominal delivered lumens 4000K

## LER – 107

<b>Catalog No.</b>	1FXP38B840-4-DS-UNV-DIM	<b>Candlepower</b>				<b>Light Distribution</b>			<b>Average Luminance</b>					
<b>Test No.</b>	38051	<b>Angle</b>	<b>End</b>	<b>45</b>	<b>Cross</b>	<b>Degrees</b>	<b>Lumens</b>	<b>% Luminaire</b>	<b>Angle</b>	<b>End</b>	<b>45°</b>	<b>Cross</b>		
<b>S/MH</b>	1.3	<b>0</b>	1234	1234	1234	<b>0-30</b>	961	26.6	<b>45</b>	3895	3911	3889		
<b>Lamp Type</b>	LED	<b>5</b>	1219	1230	1231	<b>0-40</b>	1576	43.7	<b>55</b>	3776	3776	3754		
<b>Lumens/Lamp</b>	3610	<b>15</b>	1179	1189	1189	<b>0-60</b>	2798	77.5	<b>65</b>	3592	3580	3565		
<b>Input Watts</b>	34	<b>25</b>	1099	1105	1103	<b>0-90</b>	3608	99.9	<b>75</b>	3309	3285	3294		
		<b>35</b>	980	985	982	<b>0-180</b>	3610	100.0	<b>85</b>	2891	2811	3112		
		<b>45</b>	829	832	827									
		<b>55</b>	652	652	648									
		<b>65</b>	457	455	453									
		<b>75</b>	258	256	257									
		<b>85</b>	76	74	82									
Comparative yearly lighting energy cost per 1000 lumens – <b>\$2.24</b> based on 3000 hrs. and \$.08 pwr KWH.														
The photometric results were obtained in the Philips Day-Brite laboratory which is NVLAP accredited by the National Institute of Standards and Technology.														
Photometric values based on test performed in compliance with LM-79.														
						<b>Coefficients of Utilization</b>								
						<b>EFFECTIVE FLOOR CAVITY REFLECTANCE 20 PER (pfc=0.20)</b>								
						<b>pcc</b>	<b>80</b>			<b>70</b>			<b>50</b>	
						<b>pw</b>	70	50	30	70	50	30	50	30
						<b>RCR</b>								
						0	118	118	118	115	115	115	111	111
						1	108	103	98	106	101	96	96	93
						2	97	90	82	95	88	81	83	79
						3	90	79	69	86	77	68	73	67
						4	81	69	60	80	68	59	66	57
						5	75	61	53	72	60	52	58	51
						6	68	56	46	67	55	46	53	45
						7	64	51	41	63	50	40	47	40
						8	59	46	38	57	45	36	44	36
						9	56	41	34	54	41	34	40	33
						10	52	39	30	51	39	30	38	29

© 2018 Signify Holding. All rights reserved. Signify reserves the right to make changes in specifications and/or to discontinue any product at any time without notice or obligation and will not be liable for any consequences resulting from the use of this publication.



Philips Lighting North America Corporation  
200 Franklin Square Drive, Somerset, NJ 08873  
Tel. 855-486-2216

Philips Lighting Canada Ltd.  
281 Hillmount Rd, Markham, ON, Canada L6C 2S3  
Tel. 800-668-9008