



Super Stealth Sensor with Total 360 + 180 "Can't Miss" Coverage, Surge Protection, Scanning LEDs, Evening Timer and Color Matched Lens, universal CU4 cover plate included.

Color: Bronze

Weight: 1.7 lbs

<b>Project:</b>	<b>Type:</b>
<b>Prepared By:</b>	<b>Date:</b>

## Technical Specifications

### Listings

#### cUL Listing:

Suitable for wet locations

#### Other

#### Voltage:

120 volts AC 60 Hz

#### Power Consumption:

1 watt

#### Time Adjustment:

5 seconds to 12 minutes

#### Wide Sensitivity Control:

Adjustable from 100% to 30%

#### Temperature Compensation:

Sensitivity adjusted automatically for consistent detection in hot and cold ambient temperatures

#### Wall Switch Manual Override:

Two flip logic prevents activation by momentary power outages. Override resets to auto at dawn. No extra wiring needed.

#### Evening Timer:

Keeps lights on for 1-8 hours after dusk. Then sensor is motion activated until dawn.

#### Set it and forget it:

STL360's full coverage pattern reduces need for aiming and adjustment

#### Advanced Detection Logic:

Minimizes false triggers

#### RF Immunity:

Circuits fully shielded for maximum radio frequency immunity

#### Detection:

Senses 180° and 360° down for Total Detection

#### Switching Capacity:

8 amps, 1000 watts incandescent @ 120 volts

#### Patents:

RC sensor and fixture designs are protected under Canadian and International Intellectual Property laws

#### Warranty:

10 year sensor warranty

#### LED Characteristics

#### Scanning LEDs:

3 LEDs continually scan back-and-forth

#### Electrical

#### Surge Protection:

Withstands up to 6000 volts

#### Construction

#### Mounting:

CU4 plate allows the sensor to be mounted under a soffit

#### Color Matched Lens:

Dark lens with bronze units, white lens with white units

#### Lens Masks:

Customized press apply lens mask included to reduce coverage easily

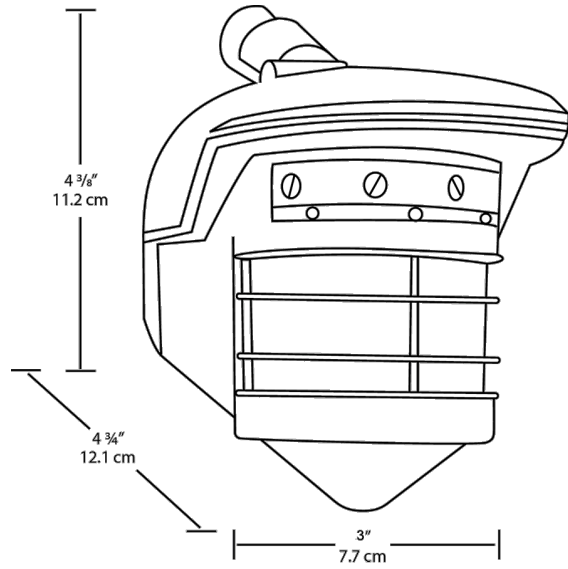
#### Sensor Characteristics

#### Photoelectric Control:

Deactivates lights during daylight. fully adjustable for 24 hour operation or custom applications.

# STL360 RCL

## Dimensions



## Features

- Senses 180° out + 360° down for total detection
- Radio frequency immunity
- 6000 volt surge protection
- Quick test time
- Color matched vandal resistant
- 1000 Watt switching capacity
- Pre-wired and pre-assembled on CU4 universal EZ plate
- Protected manual override with auto reset
- Can be wired in parallel