

# Flush Mount Wallplates with Connectors



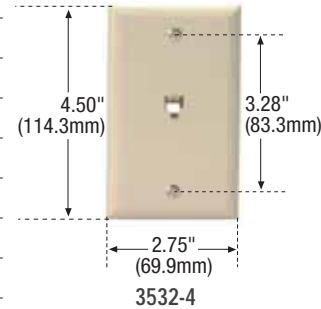
## Flush Mount Telephone Jacks

### FEATURES

- For use in Category 3 RJ11, RJ14 and RJ25 applications.
- Terminals are color-coded for easy wiring.
- All telephone jacks with wallplates are box mounting.

### Telephone Jack with Standard Size Wallplate

Description	Color	No. of Conductors	Catalog No.	
			Non-UL version	UL version
Telephone Jack, RJ11, RJ14 Applications Type 625B4 Screw Terminals	Almond	4	—	3532-4A
	Ivory	4	2532-4V	3532-4V
	Light Almond	4	—	3532-4LA
	White	4	2532-4W	3532-4W
Telephone Jack, RJ11, RJ14, RJ25 Applications Type 625B4 Screw Terminals	Almond	6	—	3532-6A
	Ivory	6	—	3532-6V
	Light Almond	6	—	3532-6LA
	White	6	—	3532-6W

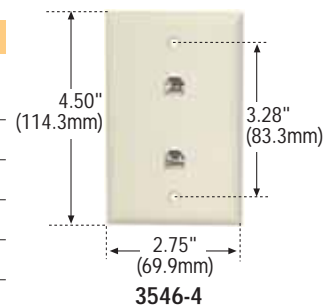


### Telephone Jack with Mid-Size Wallplate

Description	Color	No. of Conductors	Catalog No.	
			Non-UL version	UL version
Telephone Jack, RJ11, RJ14 Applications Type 625B4 Screw Terminals	Almond	4	—	3533-4A
	Ivory	4	2533-4V	3533-4V
	Light Almond	4	—	3533-4LA
	White	4	2533-4W	3533-4W

### Dual Telephone Jacks with Standard Size Wallplate

Description	Color	No. of Conductors	Catalog No.	
			Non-UL version	UL version
Two Telephone Jacks, RJ11, RJ14 Applications Type 625B4 Screw Terminals	Almond	4	—	3546-4A
	Ivory	4	2546-4V	3546-4V
	Light Almond	4	—	3546-4LA
	White	4	2546-4W	3546-4W



### Dual Telephone Jacks with Mid-Size Wallplate

Description	Color	No. of Conductors	Catalog No.	
			Non-UL version	UL version
Two Telephone Jacks, RJ11, RJ14 Applications Type 625B4 Screw Terminals	Almond	4	—	3547-4A
	Ivory	4	—	3547-4V
	Light Almond	4	—	3547-4LA
	White	4	—	3547-4W

## D-11 MediaSync™ Structured Wiring

**TESTING & CODE COMPLIANCE**  
 • Meets cULus requirements (file no. E201216).

**MATERIAL CHARACTERISTICS**  
 Self-extinguishing  
 high-impact  
 thermoplastic meets  
 UL 94, V0 flame  
 retardancy rating.