

LED Puck Light

12 V

Read the installation instructions and all product labels before proceeding with the installation. This product must be installed in full accordance with applicable electrical and building codes. Installation should be performed by a qualified electrician in accordance with the Canadian national electrical standards and relevant local codes.

TO PREVENT ELECTRICAL SHOCK, POWER SHOULD BE TURNED OFF FROM THE ELECTRICAL PANEL BEFORE INSTALLATION OR MAINTENANCE.

SAFETY WARNINGS

- Suitable for use in damp locations.
- Use only on 12 VDC circuits.
- Do not open – no user serviceable inside.
- This device is not intended for use with emergency exit fixtures or emergency exit lights.
- Operating Temperature: -20°C to 40°C (-4°F to 104°F)
- 3 year limited warranty.

INSTALLATION – STEPS

Turn OFF the power before proceeding with the installation.

SURFACE MOUNT

1. Determine the position and location of the LED Puck Light and mark the position of the screws.
2. Remove the Trim and Back Plate from the LED Puck light.
3. Position the Back Plate on the determined location and ensure that the wire groove of the Back Plate is positioned in the right direction.
4. Screw the Back Plate onto the determined location using the provided screws. (Fig.1)
5. Place the wire of the LED Puck Light in line with the wire groove and re-attach the LED Puck Light onto the installed Back plate.
6. Install back the trim onto the LED Puck Light using the Magnets (no screws necessary).

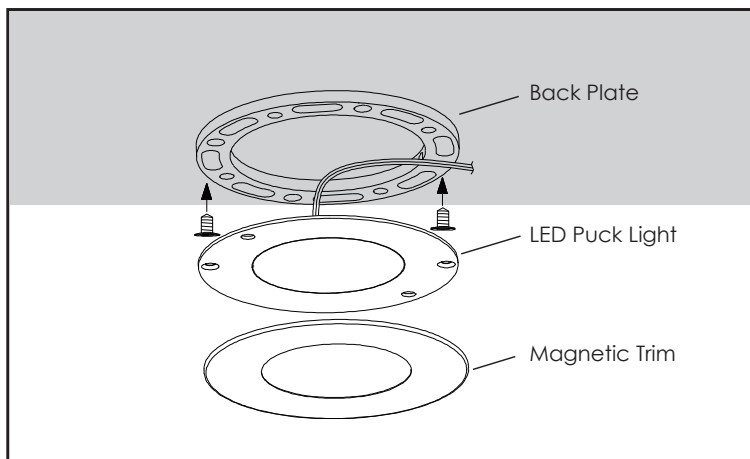


Figure 1

LED Puck Light

12 V

RECESSED INSTALLATION

1. Determine the position and location of the LED Puck Light and mark the position of the hole.
2. Drill a hole of 2-1/4" Ø.
3. Remove the Trim and Back Plate from the LED Puck light. The Back Plate is not needed for recessed installation.
4. Feed the LED Puck Light wires through the cutting hole and screw the LED Puck Light onto the surface using the provided screws.
5. Install back the trim onto the LED Puck Light using the Magnets (no screws necessary).

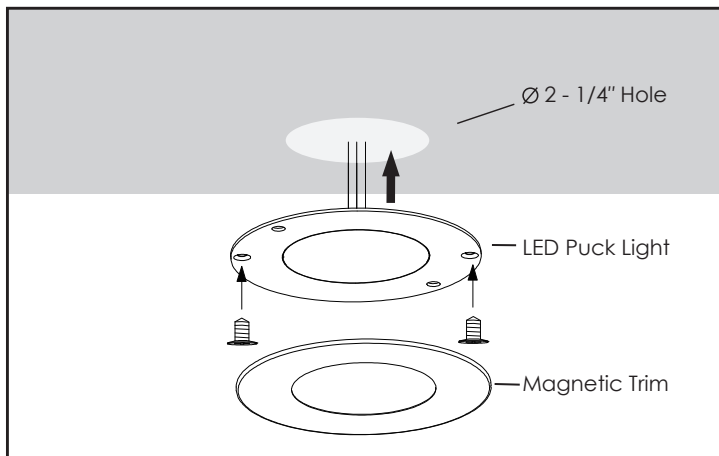


Figure 2

CONNECT FEED WIRES TO THE HUB/POWER SUPPLY

1. Connect the Hub to the Power Supply.
2. Connect the LED Puck Lights wires to the hub.

