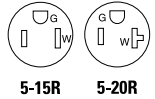


Combination USB-C charger with TR duplex receptacle

Project Name:	Prepared By:
Project Number:	Date:
Catalog Number:	Type:

Description

2-pole, 3-wire grounding
 15A, 125V/AC, 5V/DC, 5.0A
 20A, 125V/AC, 5V/DC, 5.0A
 NEMA 5-15R, 5-20R



TRUSBC15



TRUSBC20

Design features

- Standard AC receptacle with two USB-C ports rated at a combined 5.0A
- Dual USB-C charging ports charge most electronic devices that comply with the USB-C standard
- Tamper resistant shutters provide compliance with 2017 NEC® Article 406.12 that states that all 15A and 20A, 125V receptacles installed in dwelling units must be tamper resistant
- Replaces a standard duplex receptacle
- Automatic grounding system eliminates need for bonding jumper in grounded metal enclosure, provides redundant measure of ground continuity where jumper is used
- Thermoplastic top and back-body are virtually unbreakable to deliver years of durable performance
- Steel mounting strap is zinc plated for added corrosion resistance
- Convenient patented built-in wire strippers speed installation
- Triple wipe blade contacts and double wipe ground contacts to insure long-term blade retention

Table 1. USB-C Charger w/ TR duplex receptacle

Catalog No.	Description	Rating		USB Rating		Color Suffix
		A	V/AC	Amp	V/DC	
□ TRUSBC15__	5.0A USB-C charger with tamper resistant duplex receptacle	15	125	5.0	5	B, BK, GY, LA, V, W
□ TRUSBC20__	5.0A USB-C charger with tamper resistant duplex receptacle	20	125	5.0	5	B, BK, GY, LA, V, W

Compliances, specifications and availability are subject to change without notice.



Powering Business Worldwide

Project Name:	Prepared By:
Project Number:	Date:
Catalog Number:	Type:

Applications

Eaton's USB-C duplex receptacle provides quick and convenient access to charge virtually any electronic component including USB-C compatible smart phones, tablets, and more. The specification grade device is built to withstand the tough demands of the commercial environment while also providing code compliance with 2017 NEC® article 406.12 that requires tamper resistant receptacles in dwelling units.

Table 2. Specifications

Catalog No.	TRUSBC15, TRUSBC20 Series
Device type	USB-C combination charger with tamper resistant duplex receptacle
Wiring type	Side & back wire
Testing & Code Compliance	cULus Listed to UL498 and UL1310, EI5058
Environmental Specifications	Flammability: Meets UL 94 requirements; V2, 5VA rated Temperature Rating: -20°C to 60°C (-4°F to 140°F)
Electrical Specifications: AC output	Dielectric voltage: Receptacle withstands 2000V per UL498 Temperature rise: Receptacle - max. 30°C (86°F) after 100 cycles of overload @ 150% of rated current (DC)
Electrical Specifications: DC output	Switching frequency: Typical 130 kHz Output voltage: Nominal 5V (+/- 10%) Protection: Current limiting and thermal shutdown protection Output current: Constant current maximum 5.0A
Mechanical specifications	Terminations: Device can be wired using #10 to #14 AWG wires

Table 3. Materials

Catalog No.	TRUSBC15, TRUSBC20 Series
Top Housing	PC
Bottom Housing	PBT
Strap	0.047" thick steel, zinc plated
Auto Ground Clips	Phosphor bronze
Line Contacts	0.030" thick brass
Ground Contact	0.014" thick brass
Tamper Resistant Shutters	Reliable Delrin® shutter assembly
Terminal Screws	#8-32 steel, Zinc plated; Neutral screw nickel plated Ground Screw #8-32 Steel, Zinc plated; Green

Table 4. Color Ordering Information

For ordering devices, include Cat. No. followed by the color code: B (Brown), BK (Black), GY (Gray), LA (Light Almond), V (Ivory), W (White)

B	BK	GY	LA	V	W
(Brown)	(Black)	(Gray)	(Light Almond)	(Ivory)	(White)

Project Name:	Prepared By:
Project Number:	Date:
Catalog Number:	Type:

Product Dimensions

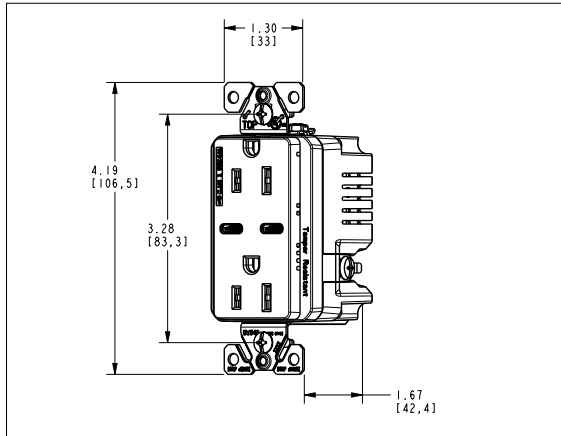


Figure 1. TRUSBC15

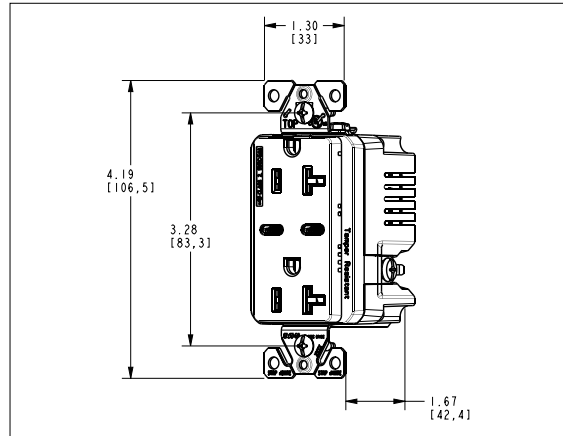
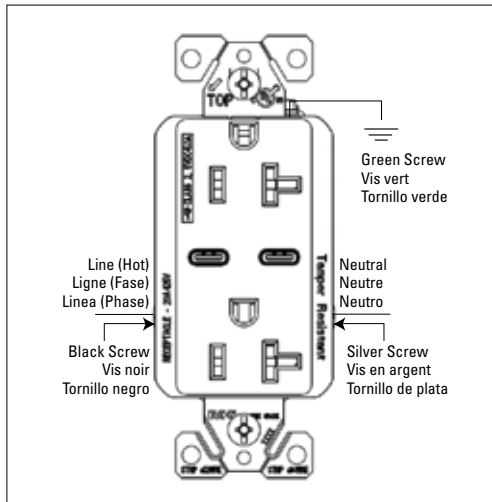


Figure 2. TRUSBC20

Wiring Diagram



Certifications & Compliances

Catalog No.	cULus
TRUSBC15	•
TRUSBC20	•

KEY: cULus cULus

Compliances, specifications and availability are subject to change without notice.

Electrical Sector
203 Cooper Circle
Peachtree City, GA 30269
United States
Eaton.com
Eaton.com/wiringdevices

Electrical Sector
Canada Operations
5925 McLaughlin Road
Mississauga, Ontario, L5R 1B8
Canada
EatonCanada.ca
Eaton.com/wiringdevices

Electrical Sector
Mexico Operations
Carr. Tlalnepantla -
Cuautitlan Km 17.8 s/n
Col. Villa Jardin esq.
Cerrada 8 de Mayo
Cuautitlan, Mexico CP 54800
Mexico
Eaton.mx
Eaton.com/wiringdevices