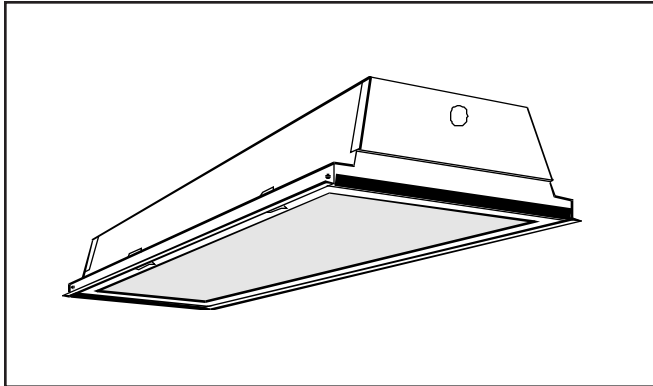




**RECESSED FLUORESCENT LUMINAIRE**  
 With Hinged Frame For " T " Grid Ceiling  
**FLUORESCENT LAMPS 2-32 W T8**

**LACH**  
**1' X 4'**



Date: \_\_\_\_\_  
 Project Name: \_\_\_\_\_  
 Fixture type: \_\_\_\_\_  
 Cat. No: \_\_\_\_\_  
 Volts: \_\_\_\_\_  
 Ballast type: \_\_\_\_\_

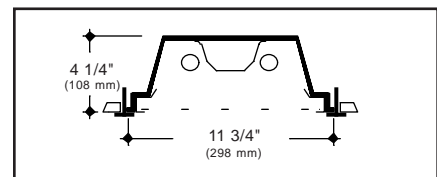
---

Variants: \_\_\_\_\_  
 \_\_\_\_\_  
 \_\_\_\_\_

**Specifications:**

- GENERAL:** Recessed fluorescent luminaire with framed diffuser for lay-in installation in "T" grid ceiling systems. Clear prismatic acrylic diffuser is held within a hinged steel frame. Cam latch release opens frame for servicing. Positive action, no springs. Retaining hook hinge will not permit the frame to disengage accidentally when open. No visible hardware. Shallow profile. Refined appearance. Optimum performance.
- SHIELDING:** No. 12 clear prismatic acrylic diffuser supplied as standard. Other options available.
- HOUSING:** Die-formed body from cold rolled steel. Wiring access plate on top of housing. Baked white polyester finish.
- ELECTRICAL:** Units are equipped with certified electronic instant start ballasts 120 vac. 60Hz. Other ballasts and voltages are available upon request. Lampholders medium bi-pin. 6" ballast leads extend through wiring access cover.
- CERTIFIED:** CSA and/or UL.

LAMPS	CAT. NO.	WEIGHT
2-32 W / T8	LACH-14G-232-12-	6 kg. (13 lbs.)



SHIELDINGS	OPTIONS	FRAME
-19 = No. 19 Pattern Clear Acrylic Diffuser. -SLA = 1/2" x 1/2" x 1/2" Acrylic Silver Parabolic Louver. -P3A = 3" x 3" x 1 1/2" Acrylic Silver Parabolic. Louver.		Type "AR" Aluminum Regressed. Add AR to shielding designation. EX: -12AR-
REPLACE -12 in CATALOGUE No. With Your Selection .		NOT APPLICABLE FOR SHIELDING -P3A

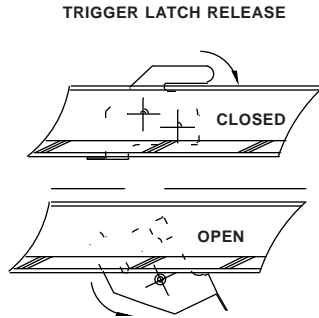
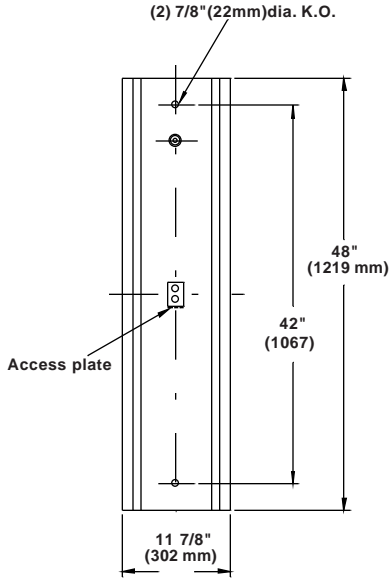
**ORDERING GUIDE:**

CAT.NO. + VOLTS + BALLAST

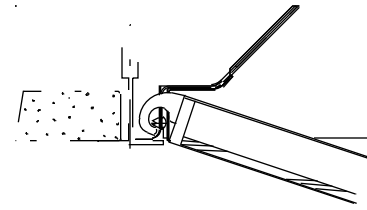
120	EL = Electronic
277	
347	

Example: LACH-14G-232-12-120-EL

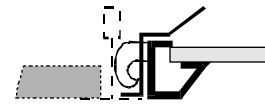
**Details:**



HOOKED HINGE STEEL FRAME



FRAME OPTION



TYPE "AR" ALUMINUM REGRESSED

**Photometric Data:**



LIGHTING SCIENCES CANADA LTD.

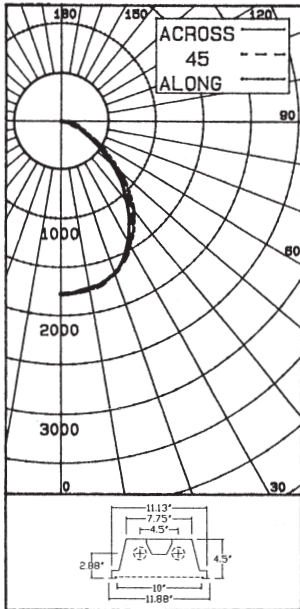
440 Phillip St., Unit 19, Waterloo, Ont., Canada N2L 5R9  
Tel: (519) 746-3140 Fax: (519) 746-3156

CERTIFIED TEST REPORT NO. LSC4607  
COMPUTED BY LSC PROGRAM \*\*TEST-LITE\*\*

PEERLESS INDOOR FLUORESCENT FIXTURE CAT. NO. LACH-248-12 MARK III  
WITH WHITE PAINTED INTERIOR AND FLAT PRISMATIC K-12 LENS  
TWO PHILIPS F40CW 046677-108458 FLUORESCENT LAMPS. LUMEN RATING = 3050 LMS.  
PHILIPS 120V TWO-LAMP MAGNETIC BALLAST NO. R-2S40-TPC-MARK III  
LUMINAIRE INPUT WATTS = 89.2

**COEFFICIENTS OF UTILIZATION**  
ZONAL CAVITY METHOD

EFFECTIVE FLOOR CAVITY REFLECTANCE = .20



CANDLEPOWER SUMMARY				OUTPUT LUMENS	CC WALL	80				70				50			
ANGLE	ALONG	45	ACROSS			70	50	30	10	70	50	30	10	50	30	10	
0	1775	1775	1775	1775	70	50	30	10	70	50	30	10	50	30	10		
5	1770	1759	1761	1767	168												
10	1745	1736	1757	1748	1739												
15	1711	1706	1732	1722	1724												
20	1654	1658	1667	1665	1660												
25	1568	1586	1586	1572	1562												
30	1465	1480	1468	1445	1424												
35	1353	1342	1334	1292	1263												
40	1207	1188	1148	1121	1088												
45	1026	1006	955	928	924												
50	827	797	756	735	731												
55	623	594	567	546	535												
60	459	423	402	393	389												
65	322	296	273	299	280												
70	235	230	185	233	224												
75	170	166	133	175	189												
80	119	118	103	117	129												
85	62	61	52	71	68												
90	0	0	0	0	0												

ZONAL LUMENS AND PERCENTAGES

ZONE	LUMENS	% LAMP	% LUMINAIRE
0-30	1379	22.62	34.39
0-40	2203	36.13	54.94
0-60	3469	56.88	86.49
0-90	4011	65.76	100.00
40-90	1807	29.63	45.06
60-90	541	8.88	13.51
90-180	0	.00	.00
0-180	4011	65.76	100.00

\*\* EFFICIENCY = 65.8% \*\*

LUMINANCE SUMMARY - CD. / SQ. M. PAINT REFLECTANCE = .90 S/MH = 1.2  
SC = 1.2

ANGLE	ALONG	45	ACROSS
45	4891	4569	4421
55	3661	3344	3157
65	2565	2185	2240
75	2211	1730	2474
85	2378	2032	2623

CERTIFIED BY: *Charles Asson* DATE: SEP 23, 1992  
PREPARED FOR: PEERLESS ELECTRIC COMPANY LTD.  
VILLE LASALLE, QUEBEC

TESTED ACCORDING TO IES PROCEDURES. TEST DISTANCE = 7.9 METERS (26.0 FT.)

**PEERLESS ELECTRIC CO. LTD**

9145 BOIVIN, LASALLE, QUE. H8R 2E5 TEL. (514) 595-1671  
161 BARTLEY DRIVE, TORONTO, ONT. M4A 1E6 TEL. (416) 751-5644