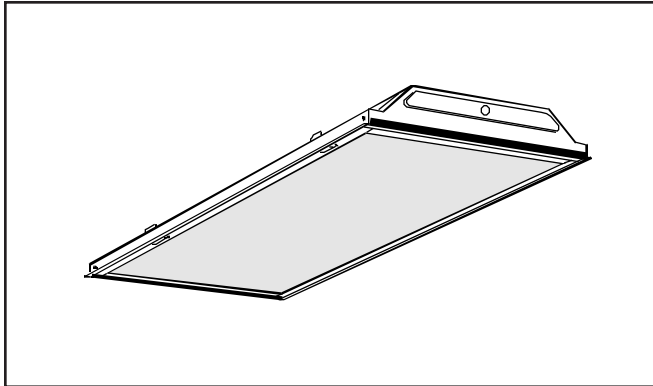




**RECESSED FLUORESCENT LUMINAIRE**  
 With Hinged Frame For " T " Grid Ceiling  
**FLUORESCENT LAMPS 4-32 W T8**

**LACH**  
**2'X 4'**



Date: \_\_\_\_\_  
 Project Name: \_\_\_\_\_  
 Fixture type: \_\_\_\_\_  
 Cat. No: \_\_\_\_\_  
 Volts: \_\_\_\_\_  
 Ballast type: \_\_\_\_\_

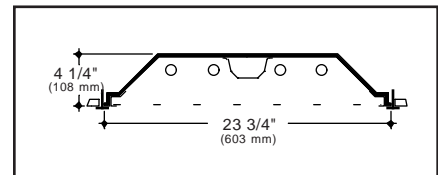
---

Variants: \_\_\_\_\_  
 \_\_\_\_\_  
 \_\_\_\_\_

**Specifications:**

- GENERAL:** Recessed fluorescent luminaire with framed diffuser for lay-in installation in "T" grid ceiling systems. Clear prismatic acrylic diffuser is held within a hinged steel frame. Cam latch release opens frame for servicing. Positive action, no springs. Retaining hook hinge will not permit the frame to disengage accidentally when open. No visible hardware. Shallow profile. Refined appearance. Optimum performance.
- SHIELDING:** No. 12 clear prismatic acrylic diffuser supplied as standard. Other options available.
- HOUSING:** Die-formed body from cold rolled steel. Embossed ribs added for rigidity. Wiring access plate on top of housing.
- ELECTRICAL:** Units are equipped with certified electronic instant start ballasts 120 vac. 60Hz. Other ballasts and voltages are available upon request. Lampholders medium bi-pin. 6" ballast leads extend through wiring access cover.
- CERTIFIED:** CSA and/or UL.

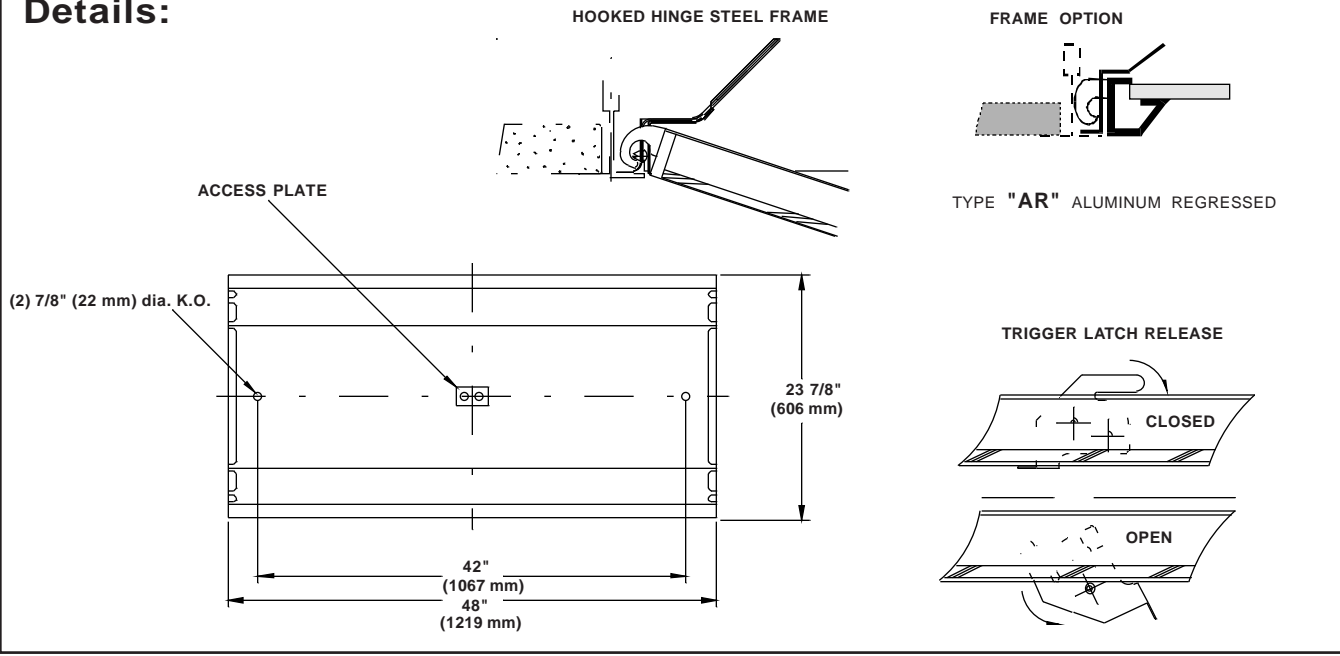
LAMPS	CAT. NO.	WEIGHT
4-32 W / T8	LACH-24G-432-12-	13.5 kg. (30 lbs.)



OPTIONS	
<p><b>SHIELDINGS</b></p> <p>-19 = No. 19 Pattern Clear Acrylic Diffuser.            -SLA = 1/2" x 1/2" x 1/2" Acrylic Silver Parabolic Louver.            -P3A = 3" x 3" x 1 1/2" Acrylic Silver Parabolic. Louver.</p> <p>REPLACE -12 in CATALOGUE No. With Your Selection .</p>	<p><b>FRAME</b></p> <p>Type "AR" Aluminum Regressed.            Add AR to shielding designation.            EX: -12AR-</p> <p>NOT APPLICABLE FOR SHIELDING -P3A</p>

ORDERING GUIDE:					
CAT.NO. + VOLTS + BALLAST					
<table border="1"> <tr><td>120</td></tr> <tr><td>277</td></tr> <tr><td>347</td></tr> </table>	120	277	347	<table border="1"> <tr><td>EL = Electronic</td></tr> </table>	EL = Electronic
120					
277					
347					
EL = Electronic					
Example: LACH-24G-432-12-120-EL					

**Details:**



**Photometric Data:**



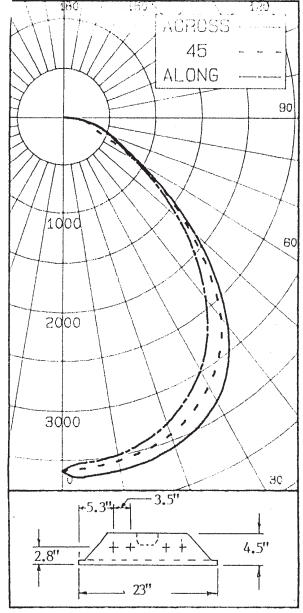
**LIGHTING SCIENCES CANADA LTD.**  
 480A Dutton Dr., Waterloo, Ontario, Canada N2L 4C6 (519) 746-3140

CERTIFIED TEST REPORT NO. LSC 1443  
 COMPUTED BY LSC PROGRAM \*\*TEST-LITE\*\*

PEERLESS FLUORESCENT LUMINAIRE: CAT. NO. LATCH-448-IL  
 WHITE PAINTED INTERIOR WITH CLEAR PRISMATIC LENS  
 FOUR F40CW FLUORESCENT LAMPS. LUMEN RATING = 3150 LMS.

**COEFFICIENTS OF UTILIZATION**  
 ZONAL CAVITY METHOD

EFFECTIVE FLOOR CAVITY REFLECTANCE = .20



CANDLEPOWER SUMMARY				OUTPUT LUMENS	
ANGLE	ACROSS	45	22.5	ALONG	
0	3614	3614	3614	3614	
5	3672	3634	3589	3567	343
10	3658	3611	3557	3533	3496
15	3627	3573	3510	3461	3422
20	3567	3505	3435	3357	3319
25	3478	3411	3320	3226	3170
30	3342	3271	3163	3044	2984
35	3112	3059	2956	2807	2727
40	2769	2725	2657	2489	2395
45	2341	2306	2229	2107	2034
50	1845	1811	1754	1674	1625
55	1345	1359	1321	1279	1219
60	962	960	905	919	899
65	715	643	578	628	676
70	557	445	374	445	532
75	427	333	308	329	404
80	294	243	249	231	266
85	148	141	145	129	124
90	0	0	0	0	0

ZONAL LUMENS AND PERCENTAGES			
ZONE	LUMENS	% LAMP	% FIXTURE
0-30	2869	22.77	32.78
0-40	4698	37.29	53.67
0-60	7583	60.19	86.63
0-90	8754	69.48	100.00
40-90	4055	32.19	46.33
60-90	1170	9.29	13.37
90-180	0	0.00	0.00
0-180	8754	69.48	100.00

CC	80				70				50			
	WALL	70	50	30	10	70	50	30	10	50	30	10
1	.77	.74	.72	.69	.75	.73	.70	.68	.70	.68	.66	
2	.71	.66	.62	.59	.69	.65	.61	.58	.62	.59	.57	
3	.66	.59	.55	.51	.64	.58	.54	.50	.56	.53	.49	
4	.61	.53	.48	.44	.59	.53	.48	.44	.51	.47	.43	
5	.56	.48	.42	.38	.54	.47	.42	.38	.46	.41	.38	
6	.52	.43	.38	.34	.50	.43	.37	.33	.41	.37	.33	
7	.48	.39	.33	.30	.47	.39	.33	.29	.37	.33	.29	
8	.44	.35	.30	.26	.43	.35	.29	.26	.34	.29	.25	
9	.41	.32	.26	.22	.40	.31	.26	.22	.30	.26	.22	
10	.38	.29	.23	.20	.37	.28	.23	.20	.28	.23	.20	

LUMINAIRE INPUT WATTS = 175

**LUMINANCE SUMMARY - FOOTLAMBERTS**

ANGLE	ACROSS	45	ALONG
45	1500	1428	1298
55	1062	1043	959
65	767	619	722
75	747	538	704
85	769	753	641

PAINT REFLECTANCE = .90 S/MH = 1.3  
 SC(ALONG) = 1.2, SC(ACROSS) = 1.3

CERTIFIED BY: *[Signature]* DATE: SEP 05, 1986  
 PREPARED FOR: PEERLESS ELECTRIC CO. LTD.  
 MONTREAL, QUEBEC.

TESTED IN ACCORDANCE WITH IES PROCEDURES. TEST DISTANCE = 8 METERS (26 FT.)