

AIRMAX™ SERIES HAND DRYERS

Models M5, XM5, DM5, DXM5, RM5, XRM5 and DXRM5



DM5-972



XRM5-Q974



XM5-674

Facts

- Saves up to 95% of paper towel costs*
- Reduces maintenance costs, vandalism and mess associated with paper towels*
- Saves trees from becoming paper towels*
- Reduces burden on clogged landfills*
- Uses less energy and produces fewer greenhouse gases than the production of paper towels*

Features

- 15 second dry time: twice as fast as other hand dryers!*
- Uses 1/2 the energy per dry of standard dryers*
- Lowest noise level among other high speed hand dryers*
- Available in a variety of cover options, push button or automatic, surface mounted or ADA compliant recessed models*

All nozzles are in the fixed position

Environmental Certification

GreenSpec listed. Products selected for the GreenSpec directory are considered to be at the top of their class and environmentally preferable, based on BuildingGreen's criteria.

Can help a building earn LEED credits based on EA Credit 1 for optimized energy performance.



www.GreenSpec.com



AIRMAX SPECIFICATIONS

Airmax™ Models M5, XM5, DM5, DXM5, RM5, XRM5 and DXRM5 hand dryers shall be manufactured by or for World Dryer Corporation® to include a cover of 1/4" thick cast iron with porcelain enamel finish, 14 gauge polished or brushed 304 stainless steel, 14 gauge epoxy coated Cold Rolled Steel, or 1/4" thick WorldStone Thermoset Polymer. Motor shall be universal type, 1/6 HP at 12,000 RPM. Dryer shall deliver 275 cubic feet per minute of air volume (9960 LFM). Timer shall be electromechanical cam style with 25 AMP rated switch to operate dryer for 20 seconds on push button units. Infrared sensor detects hands, initiates and terminates drying on automatic units. Recessed units are made with cast iron covers and use a 16-gauge steel wall mounting box. Hand dryers shall be listed under reexamination service of Underwriters Laboratories, Inc.



SPECIFIER'S APPROVAL

Job _____	Date _____
Model Number _____	Quantity _____
Variations _____	
Customer/Wholesaler _____	
Contractor _____	
Architect/ Engineer _____	

Electronic specifications available online: www.worlddryer.com/specs



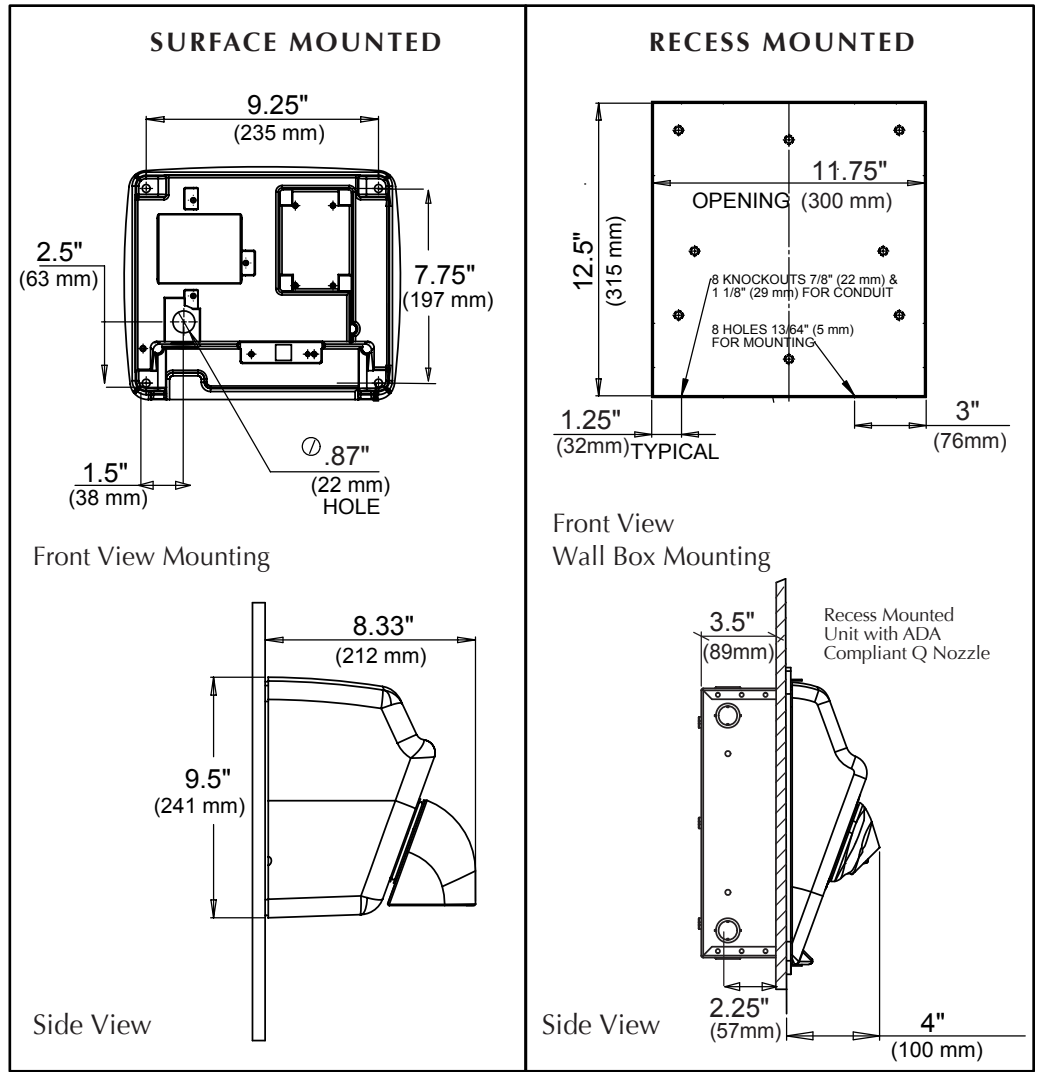
ELECTRICAL SPECIFICATIONS AND COVER OPTIONS

		CAST IRON COVER			STAMPED STEEL SURFACE			STAINLESS STEEL COVER		
		RECESSED			SURFACE			RECESSED*		
Activation	Volts	Amps	Watts	Freq	White	Beige	White	Polished	Brushed	Brushed
Automatic	115	20	2300	60Hz	XM5-974	XR5-468	DXM5-974	DXM5-972	DXM5-973	DXRM5-Q973
Automatic	208/230	10	2300	60Hz	XM54-974	XM54-468	XR54-Q974	DXM54-972	DXM54-973	DXRM54-Q973
Automatic	230	10	2300	50Hz	XM548-974	XM548-468	XR548-Q974	DXM548-972	DXM548-973	DXRM548-Q973

* Available Fall 2008
Not available
in push button

WORLDSTONE COVER (automatic surface mounted units only)
Use a cast iron model number with the suffixes listed below. Example: XM5-668
674 - White, 668 - Beige, 662-Ebony, 655-Granite Grey

PUSH BUTTON MODELS,
Remove the "X" from the model number. Example: M5-975
(push button not available in stainless steel recessed units)



PLANNING GUIDE

QUANTITY ESTIMATE
Average traffic: 1 dryer per 2 washbasins

Heavy traffic: 1 dryer per washbasin
54" Bradley sink: 4 dryers per sink

ADA COMPLIANCE ♿
Recessed dryers come standard with "Q" nozzle to comply with ADA 4" protrusion requirements.

INSTALLATION
Hand dryers require a dedicated 20 AMP circuit, and must be properly grounded. GFI Circuit protection is recommended. One side of dryer should be mounted to a stud.

DRYER PLACEMENT
Hand dryers should be placed at least 2 feet apart, near but not over the washbasin. In congested areas dryers should be placed to create a traffic flow from wash basin to dryer to exit. Automatic dryers should be placed more than 18" above or away from projections, which may interfere with the operation of the automatic sensor.

MOUNTING HEIGHTS

	Surface	Recessed
Men	46" (117cm)	42" (107cm)
Women	44" (112cm)	40" (102cm)
Children ages 3-7	32" (81cm)	28" (71cm)
Children ages 8-10	36" (91cm)	32" (81cm)
Children ages 11-13	40" (102cm)	36" (91cm)
Children ages 14-17	44" (116cm)	40" (102cm)
Disabled	37" (94cm)	34" (86cm)

Measured from floor to the bottom of the unit

COVER MATERIALS

CAST IRON COVERS provide the ultimate in durability and vandal-resistance. The 1/4" thick cast iron with porcelain enamel construction makes this option suitable for areas such as train and bus stations, schools, theaters, airports, and prisons.

STEEL COVERS are an excellent alternative. They are both durable and economical. Grade 304 stainless steel covers are vandal resistant and offer a touch of elegance.

WORLDSTONE COVERS provide a durable, cost effective option to traditional metal covers. Available for AirMax, surface mounted, automatic hand dryers. Embedded with antimicrobial agents to promote hygiene. Material originally developed for use in high temperature, demanding aerospace and automotive applications.

MEASUREMENTS

Mounting Style	UNIT MEASUREMENTS	SHIPPING WEIGHT			SHIPPING DIMENSIONS
		Iron	Steel	WorldStone	
Surface	11-3/8" W x 9-5/8" H x 8-1/8" D	29 lbs	18 lbs	16 lbs	13" L x 10" W x 11-1/2" H
Recessed	13-1/8" W x 13-7/8" H x 4" D	35 lbs	---	---	15" L x 15" W x 11-1/4" H

WARRANTY

10 year limited
5 year on motor and sensor
3 year on motor brushes