

Core balance transformer



Benefits

- High sensitivity.
- Wide range.
- Easy installation.

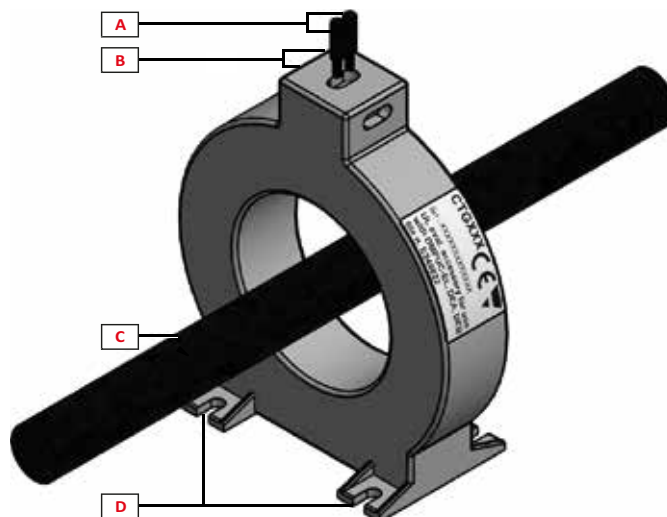
Description

CTG is a family of "core balance transformers". These devices detect the difference in the current flow on the lines running through the coil. They work on either single phase or three-phase mains. When the vectorial sum of the current flowing to the load and the one flowing on the NEUTRAL cable (if present) is different from "0" (zero), a current on the CT secondary circuit is generated. The current difference is usually caused by a leak which may cause an hazard. The output signal can be used by a residual current monitoring device which will disconnect the monitored load or send an alarm signal.

Applications

CTGs are used for detecting current leaks, potentially hazardous, on electric loads. Typically on electric motors, pumps or devices installed in metallic structures. They are approved to be used in conjunction with Carlo Gavazzi DEA71 and DEB71 earth leakage monitoring relays.

Structure



Element	Component	Function
A	Terminals	CT secondary, connection cables
B	Terminals screws	CT secondary, tightening screws
C	Monitored line	Monitored mains line Multi wire cable: - Single phase: Line + Neutral - Three Phase: L1, L2, L3 or L1, L2, L3 +N Important Note: Do not route earth wire through the CTG
D	Fixing flange	Panel mount fixing flange (CTG035 also with DIN rail adapter)

Features

General

Protection degree	IP20
Weight (packaging included)	CTG035: Approx. 80 g CTG050: Approx. 100 g CTG070: Approx. 125 g CTG120: Approx. 235 g CTG160: Approx. 1220 g CTG210: Approx. 1860 g
Dimensions (mm) (WxHxD)	CTG035: 64 x 74 x 20 mm CTG050: 87 x 98 x 20 mm CTG070: 105 x 117 x 20 mm CTG120: 155 x 170 x 20 mm CTG160: 241 x 254 x 33 mm CTG210: 290 x 304 x 33 mm
Internal diameter	CTG035: 35mm CTG050: 50mm CTG070: 70mm CTG120: 120mm CTG160: 161mm CTG210: 210mm

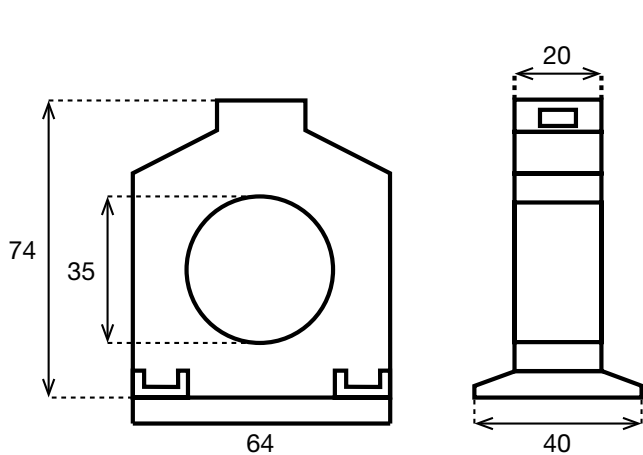


Fig. 1 CTG035

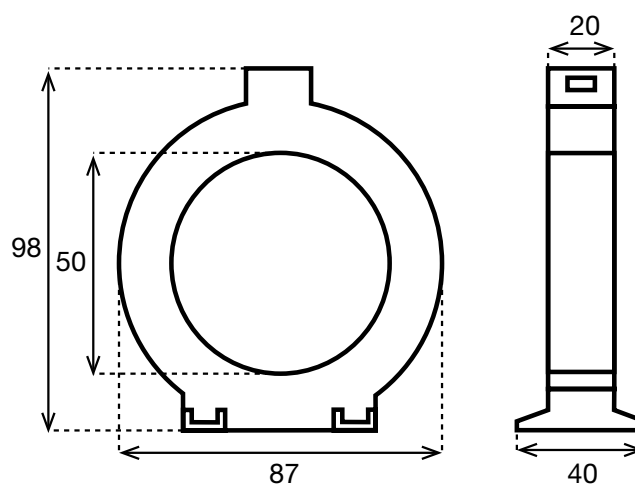


Fig. 2 CTG050