

DL

LED TRADITIONNAL

LED downlight with dual installation

These dimmable LED downlight kits combine exceptional light output with the traditional downlight look. They are versatile and allow the user to easily convert most traditional recessed fixtures by installing them into a housing or installing them directly into a junction box.

FEATURES AND SPECIFICATIONS

• Construction

Finishing

- Trim finish : White, Silver and Black
- Available shape and sizes : Round, 4" and 6"

Mounting

- Easy installation using quick access keyhole design
- Dual installation : Retrofit and J-Box

• Technical specifications

- TRIAC dimming
- Color temperature: 2 700, 3 000 and 4 000 K
- Estimated lifespan of 54 000 hours to L70
- Ambient temperature: -20° - +45°
- Suitable for damp location
- 113° beam angle

• Compliances

- Energy Star
- cULus



OVERVIEW

Light source	LED
Watts (W)	10, 12.5
Lumen output (lm)	682 - 853
Efficiency (lm/W)	64 - 72
Color temperature (K)	2 700, 3 000, 4 000
CRI	80+



quick
ship



LED
fixture



dimmable
fixture



damp
location



QUICK SHIP AND TECHNICAL SPECIFICATION TABLE  ¹

Order code	Part number	Watts (W)	Volts (VAC)	Color temp. (K) ²	Lumen output (lm) ³	Efficiency (lm/W)	CRI	Life L70 (hrs) ⁴	Tested hours LM-80 (hrs) ⁴	Beam angle (°)	Finish	Power factor	THD (%)	Traditional equivalent (W)	Case qty (master)
4" Round															
63641	DL4R-10WA/27WH-S	10	120	2 700	682	68	80+	40 000	9 000	13	White	>0.9	>20	50	16
63642	DL4R-10WA/27BK-S	10	120	2 700	682	68	80+	40 000	9 000	113	Black	>0.9	>20	50	16
63643	DL4R-10WA/27SV-S	10	120	2 700	682	68	80+	40 000	9 000	113	Silver	>0.9	>20	50	16
63644	DL4R-10WA/30WH-S	10	120	3 000	684	68	80+	40 000	9 000	113	White	>0.9	>20	50	16
63645	DL4R-10WA/30BK-S	10	120	3 000	684	68	80+	40 000	9 000	113	Black	>0.9	>20	50	16
63646	DL4R-10WA/30SV-S	10	120	3 000	684	68	80+	40 000	9 000	113	Silver	>0.9	>20	50	16
63647	DL4R-10WA/40WH-S	10	120	4 000	723	72	80+	40 000	9 000	113	White	>0.9	>20	50	16
63648	DL4R-10WA/40BK-S	10	120	4 000	723	72	80+	40 000	9 000	113	Black	>0.9	>20	50	16
63649	DL4R-10WA/40SV-S	10	120	4 000	723	72	80+	40 000	9 000	113	Silver	>0.9	>20	50	16
6" Round															
63650	DL6R-12.5WA/27WH-S	12.5	120	2 700	800	64	80+	40 000	9 000	113	White	>0.9	>20	65	16
63653	DL6R-12.5WA/30WH-S	12.5	120	3 000	809	65	80+	40 000	9 000	113	White	>0.9	>20	65	16
63654	DL6R-12.5WA/30BK-S	12.5	120	3 000	809	65	80+	40 000	9 000	113	Black	>0.9	>20	65	16
63655	DL6R-12.5WA/30SV-S	12.5	120	3 000	809	65	80+	40 000	9 000	113	Silver	>0.9	>20	65	16
63656	DL6R-12.5WA/40WH-S	12.5	120	4 000	853	68	80+	40 000	9 000	113	White	>0.9	>20	65	16

¹ **QUICK SHIP:** Product availability is subject to change without notice. Please contact your Stanpro customer service representative to confirm inventory levels at time of order.

² Typical color temperature range: +/- 5 %.

³ Lumen values are derived from photometric testing. Initial lumens range: +/- 10 %.

⁴ Life hours are derived from IESNA LM-80-08 testing report and projected per IESNA TM-21-11 extrapolations.

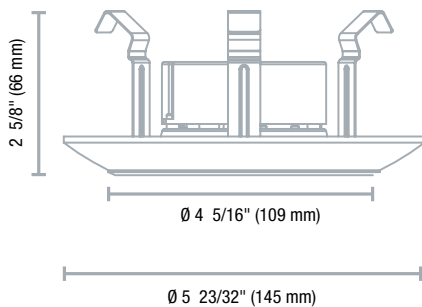
COMPATIBLE DIMMERS¹

Brand	Model number
Leviton	IPL06, 6674, 6683
Lutron	LGCL-153P, SCL-153P-LA, MACL-153MR, S-600PR, S2-L, TGCL-153PH

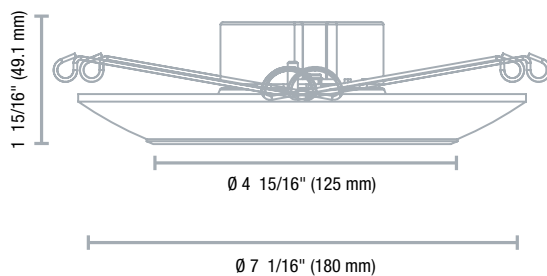
¹ Dimming range: 10%-100%.

DIMENSIONS

4"



6"

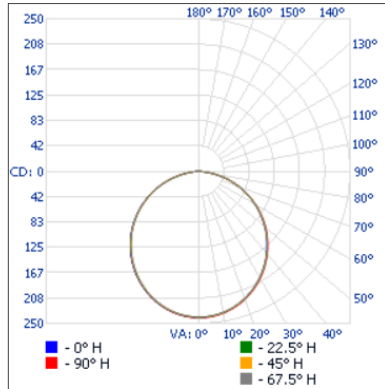


Data is based upon tests performed in a controlled environment. Actual performance can vary depending on operating conditions. All products are subject to change or may be discontinued any time without notice.

PHOTOMETRIC DATA¹

63647 • DL4R-10WA/40WH-S • 681.5 lm

Polar candela distribution



Zonal lumen summary

Zone	Lumens	% Fixture
0-30	185.5	27.2%
0-40	303.4	44.5%
0-60	537.0	78.8%
60-90	142.9	21%
70-100	57.4	8.4%
90-120	0.4	0.1%
0-90	679.9	99.8%
90-180	1.6	0.2%
0-180	681.5	100%

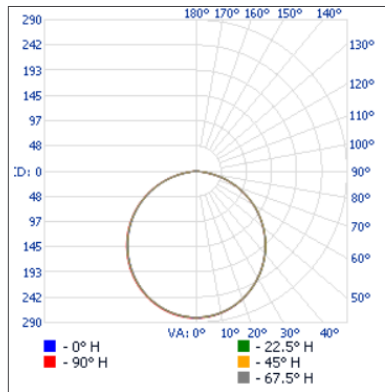
Illuminance at a distance

Center beam fc		Beam width	
17'	0.83 fc	50.6'	51.0'
34'	0.21 fc	101.2'	102.0'
51'	0.09 fc	151.8'	153.0'
68'	0.05 fc	202.3'	204.0'
85'	0.03 fc	252.9'	254.9'
102.0'	0.02 fc	303.5'	305.9'

Vert. spread: 112.2°
Horiz. spread: 112.6°

63654 • DL6R-12.5WA/30BK-S • X lm

Polar candela distribution



Zonal lumen summary

Zone	Lumens	% Fixture
0-30	217.1	27.1%
0-40	355.4	44.4%
0-60	630.2	78.8%
60-90	168.5	21.1%
70-100	67.7	8.5%
90-120	0.4	0%
0-90	498.7	99.8%
90-180	1.3	0.2%
0-180	800.1	100%

Illuminance at a distance

Center beam fc		Beam width	
17'	0.7 fc	51.1'	51.5'
34'	0.4 fc	102.2'	103.0'
51'	0.11 fc	153.3'	154.5'
68'	0.06 fc	204.5'	206.1'
85'	0.04 fc	255.6'	257.6'
102.0'	0.03 fc	306.7'	309.1'

Vert. spread: 112.7°
Horiz. spread: 113.1°

¹ Complete IES files available on our website.

Data is based upon tests performed in a controlled environment. Actual performance can vary depending on operating conditions. All products are subject to change or may be discontinued any time without notice.