

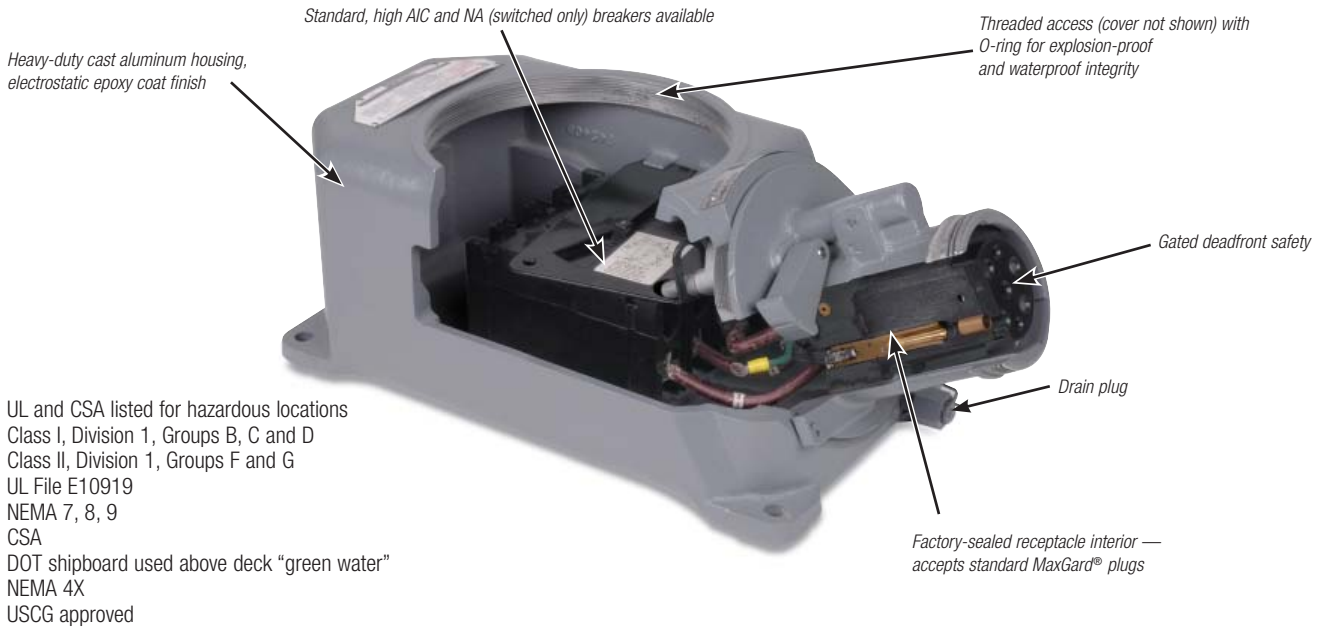
MaxGard® Interconnection Systems

30A–400A (30–200A Load Breaking), Maximum 600VAC/250VDC
Receptacles, Inlets, Plugs, Connectors, Interlocked Receptacles, Explosion-Proof Interlocked Receptacles

MaxGard® DBRE and DSRE series interlocks are explosion proof and waterproof (O-ring sealed), along with optional control contacts, and are fully UL® Listed.

Explosion-Proof Waterproof Circuit Breaker Interlocked Receptacle

Available in 30-, 60- and 100-amp sizes, all polarizations.



UL and CSA listed for hazardous locations
Class I, Division 1, Groups B, C and D
Class II, Division 1, Groups F and G
UL File E10919
NEMA 7, 8, 9
CSA
DOT shipboard used above deck "green water"
NEMA 4X
USCG approved

Explosion-Proof Waterproof Non-Interlocked Receptacle

Available in 30A 480VAC max, all polarizations

- Factory-sealed interior (no filled conduits)
- Easy low-cost installation



UL and CSA Listed for hazardous locations
Class I, Division 1, C and D
Class II, Division 1, Groups F and G
UL File E10919
NEMA 7, 8, 9
CSA
DOT shipboard used above deck "green water"
NEMA 4X
USCG approved

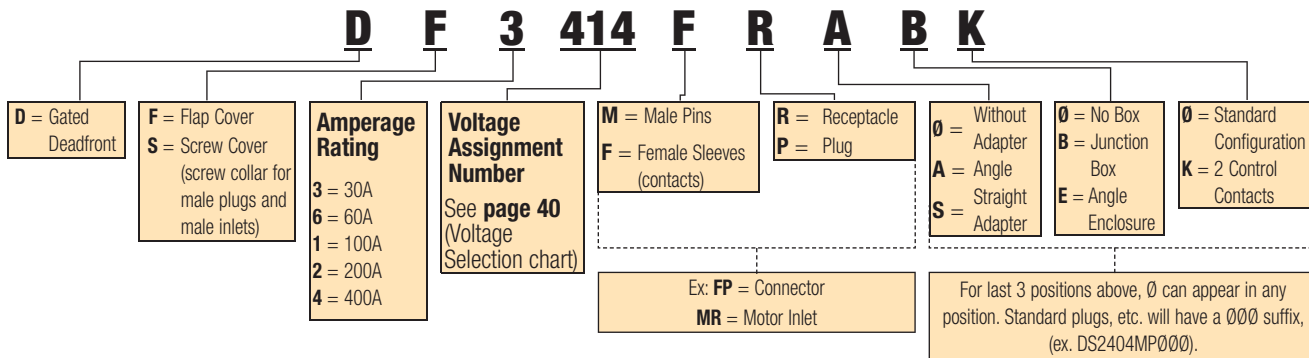
MaxGard® Interconnection Systems

30A–400A Plugs, Connectors, Receptacles, Inlets and Interlocked Receptacles

Russellstoll® Pin and Sleeve Power Connectors

Receptacles, Plugs and Connectors

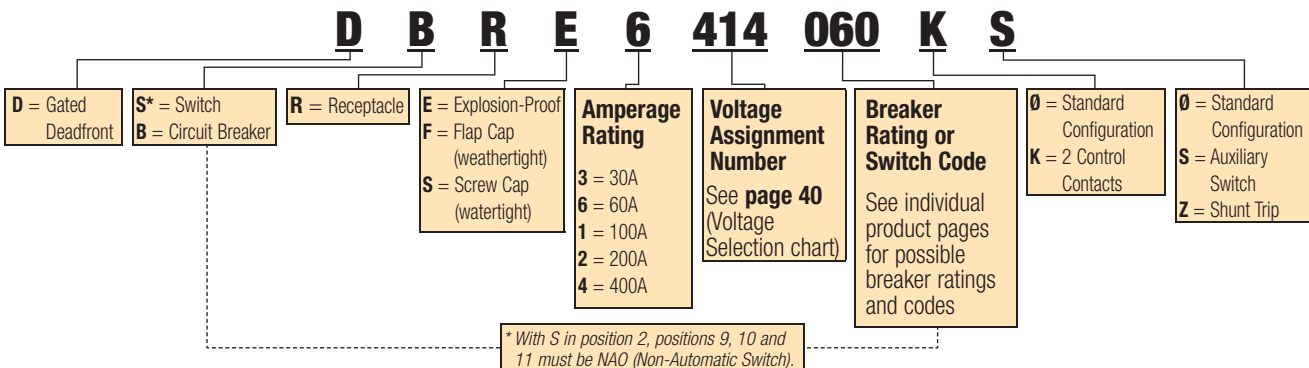
FEATURE	RUSSELLSTOLL MAXGARD®	CROUSE-HINDS ARKTITE®**	APPLETON POWERTITE®***
Center ground contact	Yes	No	No
24 single-rated factory polarizations	Yes	No	No
Gated deadfront construction	Yes	No	No
Two optional control contacts	Yes	No	No
Marine-grade CDA485 brass pins/sleeves (200–400 amp silver-plated)	Yes	No	No
O-rings/environmental separation, full line	Yes	No	No
Available to 5-wire (4-pole, 5-wire)	Yes	30 and 60 amp only	No
Complete line epoxy powder coated — standard	Yes	No	Some



Interlocked Receptacles

FEATURE	RUSSELLSTOLL DBRE/DSRE SERIES	CROUSE-HINDS EPC SERIES	APPLETON EBR SERIES (WITH FB BREAKER)
Waterproof (DurORing™) O-ring sealing	Yes	No	No
Available to 5-wire (4-pole, 5-wire) through 100 amp	Yes	No	No
Gated deadfront	Yes	No	No
Center ground sleeve contact	Yes	No	No
24 single-rated factory polarizations	Yes	No	No
Class I, Div. 1, Groups B, C, D	Yes	Yes	Yes
Class II, Div. 1, Groups F and G	Yes	Yes	Yes*
Meets Coast Guard (was CG259) approvals	Yes	No	No

* Group F excepting electrically conductive dusts. ** Crouse-Hinds and Arktite are trademarks of Cooper Industries, Inc. *** Appleton and Powertite are trademarks of Appleton Electric Inc.



MaxGard® Interconnection Systems

30 Amp Standard Service

** If receptacle is desired with a Straight Adapter instead of standard Angle Adapter, substitute "S" for the "A" in the catalog number of the Receptacle with Angle Adapter or Adapter and Box.

† Standard cable bushings shown; see **page 34** for other sizes available at no extra cost if specified on order.

†† Always furnished with screw collar. We recommend cup cap with male plug; order catalog number DS3CC.

Maximum lug wire 8 AWG 7-strand or flexible, cable entrance .187" diameter.

Receptacles furnished with flap cap also have screw thread to accept male collar on plug.

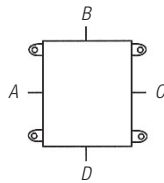
Catalog numbers shown are for flap cap receptacles; change "DF" to "DS" for ordering screw cap.

Boldface figures are for voltage assignment. For different ratings, see **page 40**.

Outlet furnished at location "B" unless otherwise specified. 1" NPT.

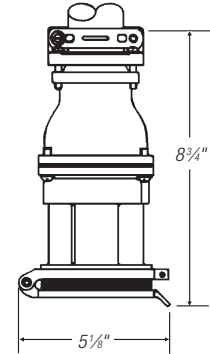
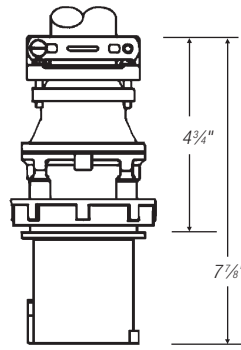
▼ **Control contacts for plug/receptacles:**
Use "K" where noted. Ex: DS3104MP00K

For Adapters, Junction Boxes and Accessories, see **pages 34–37**.



Male Plug††

Female Connector



Device Ratings and Polarizations

Maximum 600VAC or 250VDC

(For full polarization, see **page 40**)

POLE	WIRE	CONDUCTOR PLACEMENT	VOLTAGE 60 HZ	CAT. NO.	STANDARD BUSHING I.D.†	CAT. NO.	STANDARD BUSHING I.D.†
2	3		277	DS3104MP000	7/8"	DF3104FP000	7/8"
			125	DS3107MP000		DF3107FP000	
2	3		480	DS3204MP000	7/8"	DF3204FP000	7/8"
			250	DS3207MP000		DF3207FP000	
			600	DS3214MP000		DF3214FP000	
			208	DS3216MP000		DF3216FP000	
3	4		277/480	DS3304MP000	1"	DF3304FP000	1"
			125/250	DS3307MP000		DF3307FP000	
			120/208	DS3316MP000		DF3316FP000	
3	4		3Ø 480	DS3404MP000	1"	DF3404FP000	1"
			3Ø 250	DS3407MP000		DF3407FP000	
			3Ø 600	DS3414MP000		DF3414FP000	
			3Ø 208	DS3416MP000		DF3416FP000	
			3Ø 440	DS3421MP000		DF3421FP000	
4	5		3ØY 277/480	DS3504MP000	1 1/16"	DF3504FP000	1 1/16"
			3ØY 347/600	DS3514MP000		DF3514FP000	
			3ØY 120/208	DS3516MP000		DF3516FP000	
			3ØY 250/440	DS3521MP000		DF3521FP000	