

**12VDC / 24VDC DIMMABLE ELECTRONIC POWER SUPPLY
CONSTANT VOLTAGE TRIAC DIMMABLE DRIVER**



PROJECT	TYPE
CATALOG NUMBER (FOR CUSTOM LENGTHS, PLEASE SEE ORDERING EXAMPLE BELOW)	

FEATURES

- 12VDC or 24VDC (PSD90-24) constant voltage output
- 120V input
- High efficiency: up to 80%
- Phase/Triac dimmable
- Protection: short circuit / over voltage
- Integrated junction box for hard wire installation
- Cooling by air convection
- Flicker-free 20% - 100% dimming
- Damp location - IP20

LABEL

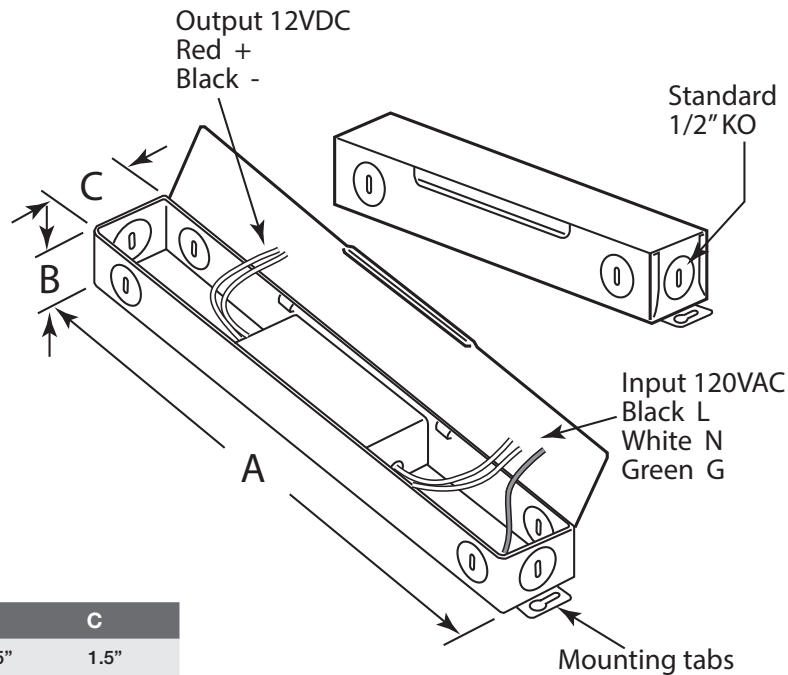
- cETLus
- Class 2

WARRANTY

- 5 year warranty

PRODUCT DESCRIPTION

A 12VDC or 24VDC constant voltage, Phase / Triac dimmable 15W, 24W, 60W or 90W power supply that is especially suitable for GM Lighting LED Slim Pucks, LED Slim Puck Mini, along with tape and lightbars.



KEY TO DIMENSIONS

Catalog No.	A	B	C
PSD15-12	8.25"	1.5"	1.5"
PSD24-12	9.8"	1.5"	1.5"
PSD60-12	7.2"	1.3"	3.3"
PSD90-24	7.2"	1.3"	3.3"

ORDERING INFORMATION

Catalog No.	Wattage	Input	Output	Weight	Warranty
PSD15-12	15W	120VAC	12VDC	11.1 oz.	5 years
PSD24-12	24W	120VAC	12VDC	13.8 oz.	5 years
PSD60-12	60W	120VAC	12VDC	16.4 oz.	5 years
PSD90-24	90W	120VAC	24VDC	16.25	5 years

12 VOLT
24 VOLT
DAMP LOCATION
CLASS 2
5 Yr. WARRANTY