

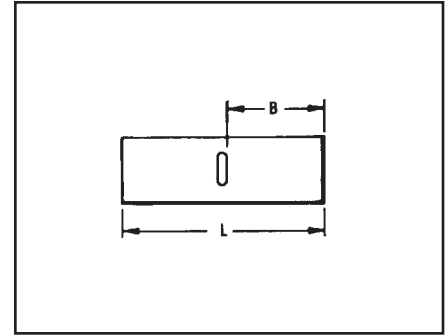
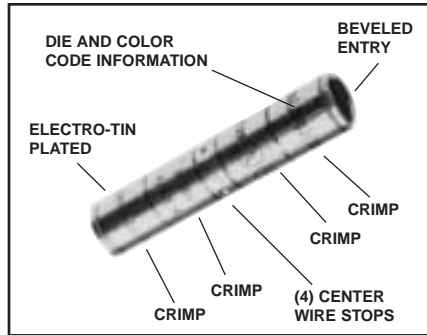
TYPE YS

HYLINK™ SPLICE - LONG BARREL

COPPER COMPRESSION SPLICE

UL Listed 90° C,
600 Volts to 35 KV ◆

C-94



Features and Benefits

- Long barrel length.
 - ◆ Ideal for 600 volt heavy duty applications. Also may be used at higher voltages up to 35KV.
- Four (4) center conductor stops.
 - ◆ Provides a center wire stop for proper conductor insertion.
- High pull out force.
 - ◆ Provides added security for much greater mechanical and electrical properties.



CATALOG NUMBER	CONDUCTOR		DIMENSION		INSTALLATION TOOLING ▲						
	AWG	*** MM ²	L	B	MECHANICAL			Y35 ■, Y39, Y750, Y46*		▲ DIE INDEX & EMBOSSEMENT	WIRE STRIP LENGTH
					Y1MRTC Y2MR	MD7-34R	MD6 OUR840	DIE NUMBER (# CRIMPS)	COLOR CODE		
YS8C	8 str.	10	1.75	.78	Y2MR (2)	W8CVT (2)	X8CRT (2)	U8CRT (2)	Red	49	7/8"
YS6C	6 str.	—	2.38	1.09		Y1MRTC (2)	W5CVT (2)	X5CRT (2)	U5CRT (2)		
YS5C	5 str.	16	2.55	1.09	Y2MR (4) Y1MRTC (4)	W4CVT (2)	X4CRT (2)	U4CRT (2)	Gray	8 or 346	1-3/16"
YS4C	4 str.	—	2.55	1.09		Y1MRTC (4)	—	—	—		
YS3C	3 str./2 sol.	25	2.80	1.22	Y2MR (4)	W2CVT/W2CRT	W2CVT/W2CRT	U2CRT (2)	Brown	10	1-5/8"
YR2C2WT	2 str. - 2 sol.	25	2.90	1.44	Y1MRTC (4)	W2CVT (2)	X2CRT (2)	U2CRT (2)	Brown	10	1-5/16"
YS2C	2 str.	35	2.82	1.22	Y1MRTC (4)	W1CVT (2)	X1CRT (2)	U1CRT-1 (2)	Green	11 or 375	1-7/16"
YS1C	1 str.	50	3.07	1.34	—	W25VT (4)	X25RT (4)	U25RT (2)	Pink	12 or 348	1-7/16"
YS25	1/0 str.	—	3.06	1.34	—	W26VT (4)	X26RT (4)	U26RT (2)	Black	13	1-9/16"
YS26	2/0 str.	70	3.30	1.45	—	W27VT (4)	X27RT (4)	U27RT (2)	Orange	14	1-9/16"
YS27	3/0 str.	—	3.30	1.45	—	W28VT (4)	X28RT (4)	U28RT (2)	Purple	15	1-11/16"
YS28	4/0 str.	—	3.57	1.58	—	W29VT (4)	—	U29RT (2)	Yellow	16	1-11/16"
YS29	250 kcmil	120	3.58	1.58	—	W30VT (4)	—	U30RT (4)	White	17 or 298	2-1/16"
YS30	300 kcmil	150	4.34	1.95	—	W31VT (4)	—	U31RT (4)	Red	18 or 324	2-1/16"
YS31	350 kcmil	185	4.35	1.95	—	W32VT (4)	—	U32RT (4)	Blue	19 or 470	2-3/16"
YS32	400 kcmil	—	4.62	2.08	—	W34VT (4)	—	U34RT (4)	Brown	20 or 299	2-5/16"
YS34	500 kcmil	240	4.91	2.20	—	—	—	U36RT (4)	Green	22 or 472	2-3/4"
YS36	600 kcmil	300	5.85	2.63	—	—	—	U39RT (4)	Black	24	2-15/16"
YS39	750 kcmil	—	6.38	2.81	—	—	—	P44RT** (4)	White	27	3-1/16"
YS44	1000 kcmil	500	6.95	2.94	—	—	—	P46RT** (6)	Green	31	3-1/4"
YS46	1500 kcmil	—	7.01	3.13	—	—	—	L48RT (4)	Brown	34	3-3/8"
YS48	2000 kcmil	—	7.57	3.27	—	—	—	—	—	—	—

① Not color coded.
 * Use PUADP-1 adapter with "U" dies in Y46 HYPRESS™.
 ** P44RT for use with Y46 HYPRESS™ only. PUADP-1 adapter not required.
 *** The MM² conductor sizes listed are the recommendations for Class 2 conductor.

■ The maximum size for the Y35 is 400 kcmil.
 ▲ See tooling section of this catalog for complete tool and die listings.
 ◆ For applications greater than 2000 Volts consult cable manufacturer for voltage stress relief instructions.
 † Requires Y60BHU HYPRESS™ with L48RT die set.