

EEMAC 4X ENCLOSURE
STAINLESS STEEL, CORROSION RESISTANT
MODEL #DB4X



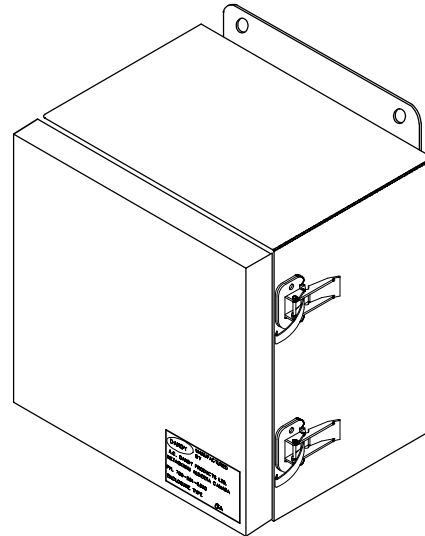
17-03

- EEMAC 4X enclosure
- For indoor or outdoor use
- Provides protection when in highly corrosive environments
- Type #304 brushed stainless steel - seam welded
- Stainless steel continuous hinged door c/w non-locking stainless steel clasp(s)
- Gasket material inside door
- Removable backpan - external mounting ears
- Consult factory for high pressure applications

Options

- 316 Stainless steel
- Locking clasp(s)

Model #	H x W x D (")	Clasps
DB4X 6-6-4 HHB	6 x 6 x 4	1
DB4X 8-8-4 HHB	8 x 8 x 4	1
DB4X 10-10-4 HHB	10 x 10 x 4	1
DB4X 10-10-6 HHB	10 x 10 x 6	1
DB4X 12-12-6 HHB	12 x 12 x 6	1
DB4X 18-16-8 HHB	18 x 16 x 8	4
DB4X 24-20-6 HHB	24 x 20 x 6	4
DB4X 16-16-8 HHB	16 x 16 x 8	2
DB4X 30-24-8 HHB	30 x 24 x 8	4



Model #DB4X 16-16-8 HHB Shown