

PHILIPS
Day-Brite
CFI

Recessed

Arioso LED 2x2

ribbed acrylic lens
3200 or 3800 lumens



Project: _____
 Location: _____
 Cat.No: _____
 Type: _____
 Lamps: _____ Qty: _____
 Notes: _____

The Philips Day-Brite / Philips CFI Arioso recessed LED with ribbed acrylic lens offers standard-setting efficiency without aesthetic compromise. These LED luminaires combine state-of-the-art, flexible and globally-recognized LED lighting platforms with proven Arioso optical combinations.

Ordering guide

Example: 2AVEG32L835-2-ACR-UNV-DIM

Width	Family	Ceiling Type	Lumen Package	Color	Length	Shielding	Voltage	Driver	Options
2	AVE	G			2	ACR			
2 2'	AVE Arioso recessed LED	G 15/16" T-Grid or 9/16" Slot Grid	32L 3200 nominal lumens 38L 3800 nominal lumens	835 80 CRI, 3500K 840 80 CRI, 4000K	2 2'	ACR 100% frosted ribbed acrylic lens	UNV Universal Voltage, 120-277 volt 347 347V	DIM 0-10V dimming SDIM Step dimming to 40% input power	F1 3/8" flex, 3 wire 18 gauge 6' F2 3/8" flex, 4 wire 18 gauge 6' F1/D 3/8" Twin Flex, 3 Wire 18 gauge 6' for dimmable luminaires F2/SW 3/8" Single Flex, 5 Wire 18 gauge 6' for dimmable luminaires GLR Fusing, Fast Blow EMLED Integral emergency battery pack, 1100lm nominal (ballast enclosure on top of luminaire)

Accessories (order separately)

- AVHD – Hold down clips
- FMA22 – 2'x2' "F" mounting frame for NEMA "F" mounting
- 2AVE-ACRC – replacement lens
- Electrical wiring options – Consult factory

2AVE Arioso recessed LED ribbed acrylic 2x2

3200 or 3800 lumens

Features

- 100% frosted ribbed acrylic lens provides soft, balanced, direct and reflected light.
- Seamless welded form – curved top and side reflectors formed together without any gaps or visual barriers.
- High performance LED technology delivers up to 3824 lm at 40.5W.
- Multiple lumen outputs available to balance energy savings with lighting application needs.
- Ideal for indoor general area lighting – offices, schools, retail and health care applications.
- 80+ CRI and excellent color consistency.
- Capable of providing 25-40% energy savings over 2-T5HO (28W) fluorescent luminaires.
- High efficiency LEDs have a minimum 50,000 hour rated life (L70).
- Predicted L70 lifetime based on LED manufacturer’s supplied LM-80 data and in-situ laboratory testing.
- Dimming option available.

Construction/Finish

- 20 gauge steel housing assembly.
- 95% reflectance baked white acrylic matte paint finish.

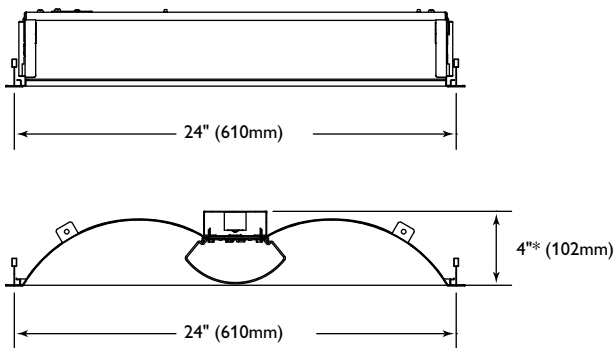
Electrical

- LED boards and drivers are RoHS (Restriction of Hazardous Substances) compliant. For dimming options, consult factory. LED array and driver accessible from below.
- cCSAus listed.

Enclosure

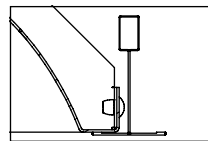
- High performance contoured lens conceals lamp image providing balance between reflected and direct light.

Dimensions

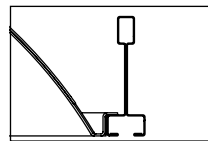


* EMLED is 1-3/4" (45mm) deeper.

Ceiling compatibility for G type luminaire



Suited to standard exposed 15/16" T-grid ceilings



Suited to standard exposed Slot T-grid ceilings

Photometry

Arioso Recessed LED Ribbed Acrylic 2x2, 3200 nominal lumens

LER – 99

Catalog No.	2AVEG32L840-2-ACR	Candlepower				Light Distribution									
		Angle	End	45	Cross	Degrees	Lumens	% Luminaire							
Test No.	31661	0	1063	1063	1063	0-30	819	26.42							
S/MH	1.3	5	1053	1062	1063	0-40	1332	42.97							
Lamp Type	LED	10	1034	1049	1056	0-60	2344	75.62							
Lumens/Lamp	3103	15	1001	1022	1031	0-90	3099	100.00							
Input Watts	31.3	20	955	983	1002										
		25	899	938	966										
		30	833	884	921										
		35	762	823	874										
		40	684	758	821										
		45	605	690	762										
		50	524	616	701										
		55	442	540	635										
		60	364	469	569										
		65	289	397	502										
		70	220	329	434										
		75	157	262	363										
		80	99	190	249										
		85	47	89	95										
Comparative yearly lighting energy cost per 1000 lumens – \$2.42 based on 3000 hrs. and \$.08 pwr KWH.						Coefficients of Utilization									
						EFFECTIVE FLOOR CAVITY REFLECTANCE 20 PER (pfc=0.20)									
						pcc		80			70			50	
						pw		70	50	30	70	50	30	50	30
						RCR									
						0	.119	.119	.119	.116	.116	.116	.111	.111	
						1	1.09	1.04	1.00	1.06	1.02	.98	.97	.94	
						2	.99	.91	.85	.97	.89	.83	.86	.81	
						3	.91	.80	.72	.88	.79	.71	.76	.70	
						4	.84	.72	.63	.81	.71	.63	.68	.61	
						5	.77	.64	.55	.75	.63	.55	.61	.54	
						6	.71	.58	.49	.69	.57	.48	.55	.47	
						7	.65	.52	.43	.63	.51	.42	.49	.42	
						8	.60	.47	.38	.59	.46	.38	.45	.37	
						9	.56	.43	.34	.55	.42	.34	.41	.33	
						10	.52	.39	.31	.51	.38	.31	.37	.30	

2AVE Arioso recessed LED ribbed acrylic 2x2

3200 or 3800 lumens

Arioso Recessed LED Ribbed Acrylic 2x2, 3800 nominal lumens

LER – 94

Catalog No.	2AVEG38L840-2-ACR	Candlepower				Light Distribution				
Test No.	31662	Angle	End	45	Cross	Degrees	Lumens	% Luminaire		
S/MH	1.3	0	1322	1322	1322	0-30	1017.2	6.61		
Lamp Type	LED	5	1309	1319	1323	0-40	1651	43.23		
Lumens/Lamp	3824	10	1285	1302	1314	0-60	2898	75.88		
Input Watts	40.5	15	1245	1268	1282	0-90	3820	100.00		
		20	1188	1219	1247					
		25	1118	1162	1201					
		30	1037	1093	1145					
		35	947	1015	1087					
		40	851	934	1021					
		45	752	845	948					
		50	652	754	872					
		55	551	659	790					
		60	453	570	708					
		65	360	479	624					
		70	273	390	540					
		75	195	313	452					
		80	123	227	313					
		85	58	108	119					
Comparative yearly lighting energy cost per 1000 lumens – \$2.55 based on 3000 hrs. and \$.08 pwr KWH.		Coefficients of Utilization								
		EFFECTIVE FLOOR CAVITY REFLECTANCE 20 PER (pfc=0.20)								
		pcc			70			50		
		pw			70			50		
		RCR			70			50		
		0	1.19	1.19	1.19	1.16	1.16	1.16	1.11	1.11
		1	1.09	1.04	1.00	1.06	1.02	.98	.97	.94
		2	.99	.91	.85	.97	.89	.83	.86	.81
		3	.91	.80	.72	.88	.79	.72	.76	.70
		4	.84	.72	.64	.82	.71	.63	.68	.61
		5	.77	.64	.56	.75	.63	.55	.61	.54
		6	.71	.58	.49	.69	.57	.48	.55	.48
		7	.65	.52	.43	.64	.51	.43	.49	.42
		8	.61	.47	.39	.59	.46	.38	.45	.37
		9	.56	.43	.34	.55	.42	.34	.41	.34
		10	.52	.39	.31	.51	.38	.31	.37	.30

Catalog Number	Delivered Lumens	Input Watts	Efficacy lm/W	8'x8' avg fc	8'x8' W/sq ft	8'x10' avg fc	8'x10' W/sq ft
2AVEG32L840-2-ACR	3103	31.3	99	48.4	0.49	38.7	0.39
2AVEG38L840-2-ACR	3824	40.5	94	59.7	0.63	47.8	0.51

© 2016 Philips Lighting Holding B.V. All rights reserved.
 Philips reserves the right to make changes in specifications and/or to discontinue any product at any time without notice or obligation and will not be liable for any consequences resulting from the use of this publication.
philips.com/luminaires



Philips Lighting North America Corporation
 200 Franklin Square Drive, Somerset, NJ 08873
 Tel. 855-486-2216

Philips Lighting Canada Ltd.
 281 Hillmount Rd, Markham, ON, Canada L6C 2S3
 Tel. 800-668-9008