



SMOOTH BAFFLE ROUND

RECESSED LED

When choosing a recessed fixture, eliminating glare is a priority. The unique positioning of the LED module in this series of downlights will meet that important need.



KEY FEATURES

- Integrated LED driver
- Fully dimmable solution
- Regressed light source



MODEL

RGR2-3K 2" round regressed LED recessed fixture, 8W, 3000K, 600 Lumens

RGR4-3K 4" round regressed LED recessed fixture, 15W, 3000K, 1300 Lumens

SPECIFICATIONS

- 120V connection.
- Every fixture includes a junction box with integrated dimmable driver.
- Can be daisy chained.
- 90 CRI.
- Superior LED performance and lifespan.
- Regressed light source.
- Minimal heat emission.
- Aluminum construction.
- IC certification.
- Air-tight certified as per ASTM E283-04.

INSTALLATION

- For recessed installation, approved for insulated ceilings.
- Ideal for general lighting applications.

FINISH

BK Black
SN Satin nickel
WH White

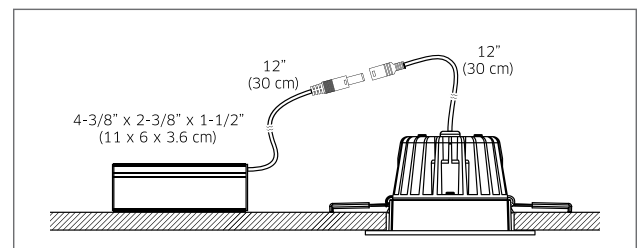
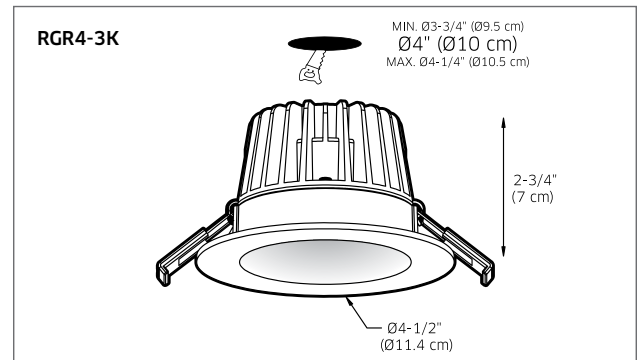
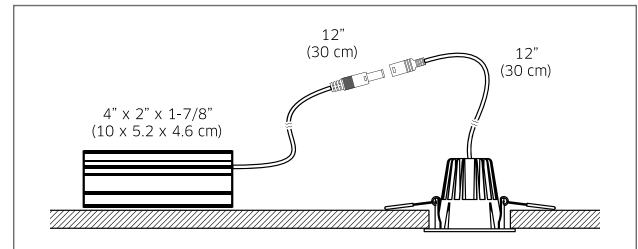
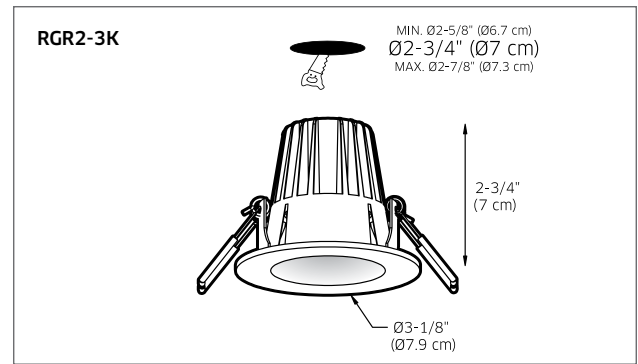
ACCESSORIES

RGR2-3K: LEDDOWNACC-RFP2

2 3/4" (7 cm) Rough-in plate

RGR4-3K: LEDDOWNACC-RFPG4

4 5/16" (10.9 cm) Rough-in plate



ORDERING EXAMPLE

RGR4-3K-BK

Would order a dimmable RGR4-3K 4" round regressed LED recessed fixture in a black finish.