

PHILIPS Day-Brite CFI

Linear

FluxStream
sealed strip

4' and 8',
Up to 12,000 lumens



Project: _____
 Location: _____
 Cat.No: _____
 Type: _____
 Lumens: _____ Qty: _____
 Notes: _____

Philips Day-Brite / Philips CFI FluxStream LED sealed strip is a high performing luminaire delivering smooth diffuse light ideal for light industrial, commercial and residential applications with the unparalleled energy efficiency of Philips LED lighting.

Ordering guide

Example: FSX440L840-UNV

Series	Length (nominal)	Lumens ¹ (nominal)	Color temp. (K)	Voltage	Driver	Options
FSX						
FSX FluxStream sealed strip	4' 4' length	40L 4000 lumens 60L 6000 lumens	830 80 CRI, 3000K 835 80 CRI, 3500K	UNV Universal voltage 120-277V 120 120V 277 277V 347 347V	blank DIM² Non-dimming 0-10V 1% dimming SDIM³ Step dimming to 40% input power	BSL6LST^{2,3} Factory wired Philips Bodine integral emergency pack. Nominal 700lm MD360W 120-277V motion detector, factory installed on end cap (ON/OFF) MD360WD 120-277V motion detector, factory installed on end cap (ON/DIM) IP65 IP65 rated protection from water and dust WCW6/6 Factory wired 6' 18/6 white cord for use with 0-10V DIM option plus BSL6LST WCW6/5 Factory wired 6' 18/5 white cord for use with 0-10V DIM option WCW6/4 Factory wired 6' 16/4 white cord for use with BSL6LST or SDIM options Factory wired 6' 16/3 white cord is standard
	8' 8' length	80L 8000 lumens 120L 12000 lumens	840 80 CRI, 4000K 850 80 CRI, 5000K			

- Nominal delivered lumens at 25°C ambient.
- BSL6LST on 8' models illuminates 4' section in emergency mode.
- 3 wire cord is standard. Order proper cord option for dimming or emergency.

Accessories (order separately, see last page for details)

- **FSXWG4** - 4' wire guard (order two for 8' models)
- **FSTH** - Sliding hanger bracket (set of two)
- **DACH48** - Adjustable cable hanger kit (order two per fixture)

General notes

Many luminaire components, such as reflectors, refractors, lenses, sockets, lampholders, and LEDs are made from various types of plastics which can be adversely affected by airborne contaminants. If sulfur based chemicals, petroleum based products, cleaning solutions, or other contaminants are expected in the intended area of use, consult factory for compatibility.



FSX FluxStream LED sealed strip

4' and 8', up to 12,000 lumens

Features

- Compact design for installation in tight spaces.
- Each unit comes standard with a 6' 16/3 wired white cord.
- Sliding hanger bracket set included.
- 4' and 8' lengths available to accommodate many field applications.
- Up to 100,000 hour predicted L70 LED lumen maintenance provides long service life to reduce maintenance costs.
- Can be surface mounted on ceilings or walls, or suspended via chain, or cables with the sliding hanger brackets.
- Ideal for cold applications (-20°C).
- 0-10v dimming driver as standard. Step dimming (100/40%) is optional. Note that special cords are required to utilize dimming or step dimming.

- Optional wet location motion detector factory installed on end cap.
- Luminaire housing tested to IK08 impact standards.
- Fluxstream luminaires are Designlights Consortium® qualified. Please see the DLC QPL list for exact catalog numbers (<http://www.designlights.org/QPL>).
- 5 year manufacturer's limited warranty Visit www.philips.com/warranties for complete warranty information.

Construction/Finish

- Continuous white polycarbonate extruded housing.
- Frosted polycarbonate diffuser provides wide light distribution and superior glare control.
- White plastic end caps.

Electrical

- Standard luminaire is non-dimming.
- Dimming to 1% on 0-10V controls optional available. Step dimming (SDIM) option available (100/40%).
- LED boards and drivers are RoHS (Restriction of Hazardous Substances) compliant. Total system life rated at 50,000 hours. Predicted L70 lifetime based on LED manufacturer's supplied LM-80 data and in-situ laboratory testing.

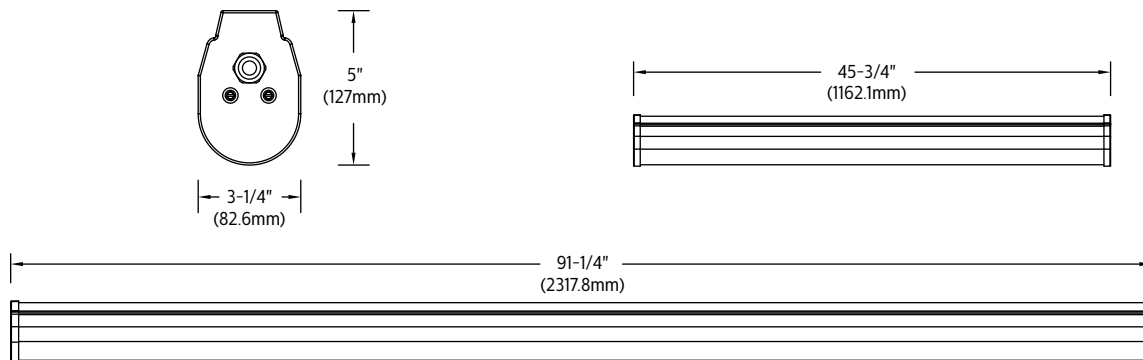
Labels

- cETLus listed to meet UL1598 Standards suitable for use in wet locations.

Ambient Temperature Data

Configuration	Ambient
FSX440L	-20°C to 40°C
FSX460L	-20°C to 35°C
FSX880L	-20°C to 40°C
FSX8120L	-20°C to 35°C
BSL6LST option	Minimum 0°C

Dimensions



FluxStream LED sealed strip, 4', 6000 nominal delivered lumens

Catalog No.	FSX460L840-UNV-DIM	Candlepower				
Test No.	38882	Angle	End	45	Cross	Back-45
S/MH	1.3	0	1518	1546	1555	1546
Lamp Type	LED	5	1512	1541	1551	1541
Lumens/Lamp	6025	15	1460	1497	1514	1497
Input Watts	52	25	1356	1405	1436	1405
		35	1202	1277	1325	1277
		45	1010	1117	1192	1117
		55	784	936	1046	936
		65	500	753	892	753
		75	258	577	738	577
		85	53	392	589	392
		95	6	269	419	269
		105	6	174	302	174
		115	6	106	202	106
		125	6	63	126	63
		135	7	36	73	36
		145	7	18	38	18
		155	7	11	15	11
		165	7	8	8	8
		175	7	7	7	7

Comparative yearly lighting energy cost per 1000 lumens – **\$2.07** based on 3000 hrs. and \$.08 pwr KWH.

The photometric results were obtained in the Philips Day-Brite laboratory which is NVLAP accredited by the National Institute of Standards and Technology.

Photometric values based on test performed in compliance with LM-79.

LER – 116

Light Distribution			Average Luminance			
Degrees	Lumens	% Luminaire	Angle	End	45'	Cross
0-30	1210	20.1	45	20106	15613	14994
0-40	2001	33.2	55	18992	14191	13912
0-60	3674	61.0	65	16107	12897	13006
0-90	5347	88.7	75	12966	11774	12332
0-180	6025	100.0	85	6492	10282	11925

Coefficients of Utilization									
EFFECTIVE FLOOR CAVITY REFLECTANCE 20 PER (pfc=0.20)									
pcc	80			70			50		
	pw	rcr		pw	rcr		pw	rcr	
0	116	116	116	112	112	112	105	105	105
1	104	98	93	100	94	90	88	84	84
2	93	84	76	89	81	74	76	70	70
3	85	73	64	81	71	62	66	59	59
4	77	64	55	74	62	53	58	51	51
5	71	57	48	68	55	46	52	44	44
6	65	51	42	62	50	41	47	39	39
7	60	46	37	58	45	36	42	35	35
8	56	42	33	54	41	33	39	31	31
9	52	39	30	50	37	30	35	28	28
10	49	35	27	47	35	27	33	26	26

FSX FluxStream LED sealed strip

4' and 8'. up to 12,000 lumens

FluxStream LED sealed strip, 4', 4000 nominal delivered lumens

LER – 122

Catalog No.	FSX440L840-UNV-DIM	Candlepower					Light Distribution			Average Luminance					
Test No.	38883	Angle	End	45	Cross	Back-45	Degrees	Lumens	% Luminaire	Angle	End	45°	Cross		
S/MH	1.3	0	1039	1039	1039	1039	0-30	814	20.6	45	12692	10010	9728		
Lamp Type	LED	5	1017	1036	1044	1036	0-40	1346	34.0	55	11149	9111	9073		
Lumens/Lamp	3955	15	979	1004	1017	1004	0-60	2458	62.1	65	9964	7762	8544		
Input Watts	32	25	907	939	963	939	0-90	3530	89.3	75	7669	7099	7672		
		35	803	852	888	852	0-180	3955	100.0	85	2984	6682	7541		
		45	671	742	798	742	Coefficients of Utilization								
		55	484	621	701	621	EFFECTIVE FLOOR CAVITY REFLECTANCE 20 PER (pfc=0.20)								
		65	326	466	599	466	pcc	80			70			50	
		75	161	355	467	355	pw	70	50	30	70	50	30	50	30
		85	26	258	375	258	RCR								
		95	0	177	288	177	0	116	116	116	113	113	113	105	105
		105	0	114	210	114	1	104	98	93	100	95	90	88	85
		115	0	70	144	70	2	94	84	77	90	82	75	76	70
		125	0	38	91	38	3	85	73	65	81	71	63	66	60
		135	0	18	52	18	4	77	65	55	74	63	54	59	51
		145	0	6	26	6	5	71	58	48	68	56	47	52	45
		155	0	2	8	2	6	65	52	42	63	50	41	47	40
		165	0	1	2	1	7	61	47	38	58	45	37	43	35
		175	0	0	0	0	8	56	42	34	54	41	33	39	32
							9	53	39	30	51	38	30	36	29
							10	49	36	28	47	35	27	33	26

Accessories/Options



Catalog Code	Description
FSTH	Sliding hanger bracket (set of two) - one set included with fixture
DACH48	Adjustable cable hanger kit (order two per fixture)
BSL6LST	Factory wired Philips Bodine integral emergency pack (nominal 700lm)
MD360W	120-277V motion detector, factory installed on end cap (ON/OFF)
MD360WD	120-277V motion detector, factory installed on end cap (ON/DIM)
WC6/5	Factory wired 6' 16/5 white cord for use with 0-10V dimming
WC6/4	Factory wired 6' 16/4 white cord for use with BSL6LST or SDIM

© 2018 Signify Holding. All rights reserved. Signify reserves the right to make changes in specifications and/or to discontinue any product at any time without notice or obligation and will not be liable for any consequences resulting from the use of this publication.



Philips Lighting North America Corporation
200 Franklin Square Drive, Somerset, NJ 08873
Tel. 855-486-2216

Philips Lighting Canada Ltd.
281 Hillmount Rd, Markham, ON, Canada L6C 2S3
Tel. 800-668-9008