

# FLIR ACC

## ACC60WPMS1

High PoE Midspan

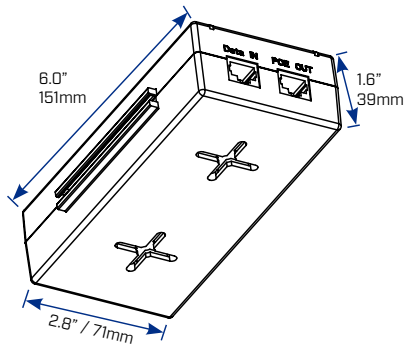


ACC60WPMS1	Specifications
Ports	1x 10/100/1000Base-T (Data IN) 1x 10/100/1000Base-T PoE power supply (POE OUT)
PoE Standard	IEEE 802.3af / 802.3at PoE / High PoE (max 60W)
PoE Power Output	54V DC, Max. 60 watts
PoE Class	Class 0/1/2/3/4/5
Operating Humidity	10 - 90% (non-condensing)
Operating Temperature	-22 - 149°F / -30 - 65°C
Ingress Protection	Indoor Only
Power Input	100-240V AC, 50/60Hz, 1.7A Max
Weight	0.30kg / 0.65lbs

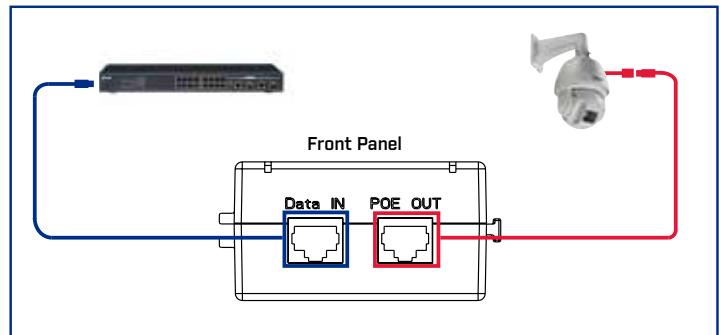
### FLIR Camera Model Compatibility

**N446ZC302** 30x IR PTZ Camera

### DIMENSIONS



### CONNECTION



### Ordering Information

ACC60WPMS1: 8-41430-01856-8

### Package Dimensions

5.31 x 9.84 x 4.33" /  
135 x 250 x 110mm

### MARKHAM, ONTARIO

FLIR Systems, Inc.  
250 Royal Crest Court  
Markham, ON L3R 3S1  
Canada  
PH: +1 866.344.4674

### PORTLAND

Corporate Headquarters  
FLIR Systems, Inc.  
27700 SW Parkway Ave.  
Wilsonville, OR 97070  
USA  
PH: +1 866.477.3687

[www.flir.com/security](http://www.flir.com/security)  
NASDAQ: FLIR

Equipment described herein may require US Government authorization for export purposes. Diversion contrary to US law is prohibited. Imagery for illustration purposes only. Specifications are subject to change without notice. ©2017 FLIR Systems, Inc. All rights reserved.  
(Created 07/11/2017) (17-2162-SEC)