

# FLIR IP™

## N4A21K33

### 4K HD PoE+ NVR System



N4A21K33  
1 x 4K Camera, 3 x 3MP Cameras,  
4 Channels, 2TB HDD



**The FLIR 4K HD PoE+ NVR System** combines powerful Ultra HD recording with one 4K(8MP) Ultra HD Vandal Dome Camera and 3 x 3MP Eyeball Dome Cameras to produce a complete security solution. Installation is made simple with integrated PoE and auto-detection of the cameras upon connection.

#### HIGH PERFORMANCE VIDEO PROCESSING

*Flexible video recording up to 4K resolution*

- Supports 4K recording with cameras up to 8MP (4K)
- Pentaplex operation – simultaneous viewing, recording, playback, backup & remote monitoring

#### EASY INSTALLATION

*Integrated PoE inputs for quick, convenient connection*

- 4 integrated PoE+ ports
- 50 Watts total PoE (max 25W per channel)
- Auto-discovery of FLIR IP cameras with no programming

#### 4K & 3MP CAMERAS INCLUDED

*HD recording for excellent image detail and clarity*

- 1 x N253V8 4K Ultra HD (8MP 3840 x 2160) @ 15fps, 100° (H) field of view, 100ft (31m) IR night vision range
- 3 x PE133E – 3MP (2048 x 1536) @ 25fps, 75° (H) field of view, 75ft (23m) IR night vision range
- IP66 weatherproof rated & cold climate capable (-22°F / -30°C)

#### QUICK & SECURE REMOTE VIEWING

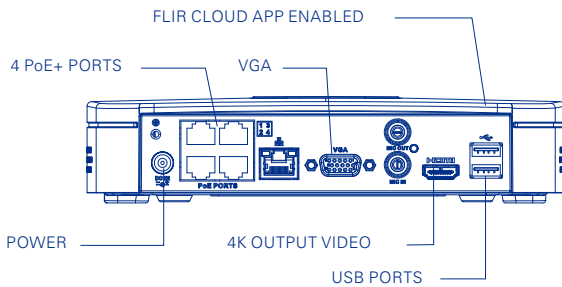
*Remote access via iOS, Android, PC & Mac with FLIR Cloud™*

- Set up remote viewing in 3 easy steps: install FLIR Cloud™ app, scan QR code on NVR, and start viewing live video
- Multisite viewing with FLIR Cloud™ CMS for PC & Mac

# Specifications

NVR Specifications		DNR2142	
<b>System</b>			
Operating System	Linux (embedded)		
Pentaplex	View, record, playback, backup & remote monitoring		
Number of Channels	4 Channels		
<b>Inputs/Outputs</b>			
Video IN	4 PoE Video Inputs		
BNC OUT	No		
VGA OUT	Yes		
HDMI	Yes		
Audio IN	1 Line IN (RCA) for service only		
Audio OUT	1 Line OUT (RCA) for service only		
USB Port	2 back panel		
Alarm IN	N/A		
Alarm OUT	N/A		
Video Output Resolution	4K (3840x2160), 4MP, 1080p (1920x1080), 1280x1024, 1280x720, 1024x768		
PTZ Control	FLIR IP PTZ cameras only		
<b>Display</b>			
Live Display	1,4		
Live Display Speed	120fps NTSC, 100fps PAL		
OSD	ON/OFF		
System Navigation	USB mouse, IR remote controller, front panel buttons		
Motion Area Setting	Fixed grid (22x18)		
Sensitivity Levels	100		
Firmware Upgrade	Automatic over the Internet & via USB device and network		
User Authority	By user group		
Time Synchronization	Auto time sync by NTP server		
<b>Recording</b>			
Video Compression	H.264 / H.265		
Audio Compression	G.711		
Recording Resolution	720p (1280x720), 1080p (1920x1080) ~ 4K-8MP (3840x2160)		
Record Rate	120fps@720p/1080p/3MP/4MP/8MP(4K)		
Recording Quality Control	6 levels		
Recording Schedule	By hour, by day, by recording mode, by motion, by alarm, by channel		
Pre Recording	Max. 4 Seconds		
Post Recording	Max. 5 Minutes		
Reliability	Watch-Dog, auto-recovery after power failure		
Covert Video	Yes		
<b>Playback</b>			
Playback Channel	1/4/8		
Playback Speed	Variable Max 16x		
Playback Players	Backup Player		
Search	By time & event		
Log Search	Up to 1,000 lines for motion detected, configuration changes, connects/disconnects and video loss		
Audio Play	Yes (audio camera required)		
<b>Storage &amp; Archive</b>			
Storage	1 HDD (SATA)		
Maximum Capacity	Up to 1x8TB SATA (max)		
Backup Media	USB flash drive & HDD		
Backup File Format	DAV or ASF file		

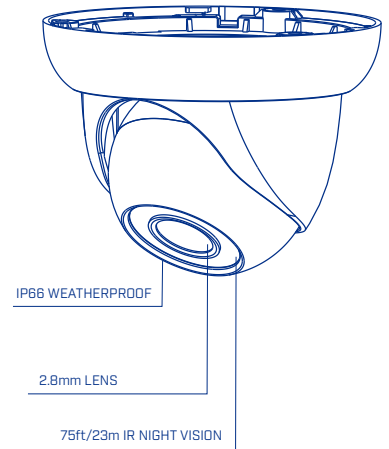
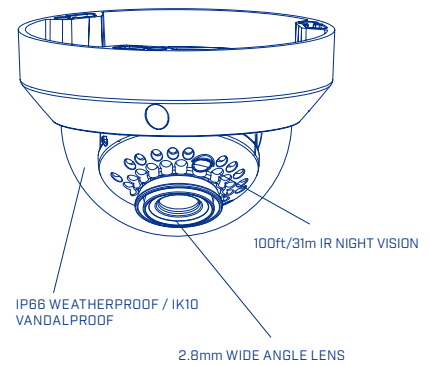
NVR Specifications		DNR2142	
<b>Connectivity</b>			
Cloud Connection	FLIR Cloud™		
Supported Operating Systems	Windows™, Mac OSX		
Remote Software	Client Software (PC/Mac)		
Email Notification	Text with snapshot		
Instant Smart Phone & Tablet Support	Android™, iPad®, iPhone®		
DDNS	Free FLIR DDNS		
System Configuration	Full setup configuration over network		
Ports	Programmable by User		
Network Protocol	HTTP, IPv4/IPv6, TCP/IP, UPNP, RTSP, UDP, SMTP, NTP, DHCP, DNS, PPPOE, DDNS, FTP, IP Filter		
Network Interface	10/100-Base-TX, RJ-45		
<b>NVR General Information</b>			
Power Consumption	10 watts (No HDD Installed)		
Supply Voltage	100VAC-240VAC, 48V DC, 2A, 50/60Hz		
Total PoE Power Output (across all channels)	50W (Max 25W per Camera)		
Unit Weight	1.1lbs / 0.5kg (without HDD)		
Dimensions (W x H x D)	8.1 x 1.8 x 8.1" / 205 x 45 x 205mm		
Operating Temperature	14° ~ 131° F / -10° ~ 55° C		
Humidity	10 ~ 90% RH		



# Specifications

Camera		N253V8	
Imaging Device	Ultra HD 4K (8MP), 1/2.5"		
Effective Pixels	3840(H) x 2160(V)		
Image Type	CMOS		
Image Readout	Progressive Scan		
Day/Night	Auto (ICR) / Color / B/W		
Mechanical IR Cut Filter	Yes		
Min. Illumination	0.7lux @ F2.0 (Color), 0.2lux @ F2.0 (B/W)		
S/N Ratio	≥42dB		
Field of View (H)	100°		
IR Illumination	100ft/31m, 850nm		
IR ON/OFF Control	Yes		
Video Output	RJ45		
Electronic Shutter Range	1/3(4)s ~ 1/100,000s		
Optical			
Lens Type	Fixed		
Mount Type	Board Type		
Iris Type	Fixed		
Iris Control Type	Auto		
Focal Length	2.8mm		
Aperture	F2.5		
Focus	Fixed		
Video			
Video Compression	H.265 / Super H.264™ / H.264 / MJPEG		
Video Streams	H.265 / H.264 / MJPEG Triple Stream		
Resolution Selection	4K (3840x2160) / 6.3MP (3072x2048) / 5.3MP (3072x1728) / 5MP (2592x1944) / 4MP (2688x1520) / 3.7MP (2560x1440) / 3MP (2304x1296) / 1080p (1920x1080) / SXGA (1280x1024) / 1.3MP (1280x960) / 720p (1280x720)		
Aspect Ratio	16:9 / 4:3 (select non 4K resolutions)		
Frame Rates (Maximum)	4K (8MP) @ 15fps / 4MP/3MP/1080p/720p @ up to 25/30fps		
Bit Rate Control	CBR / VBR (w/Cap)		
Bit Rate Selection	H.265: 1280K ~ 7424Kbps H.264: 2304K ~ 10240Kbps		
Quality Setting Range (default)	1-6 (6)		
Region of Interest	Yes (4)		
Wide Dynamic Range	Digital WDR		
Dynamic Range	N/A		
Backlight Compensation	BLC / HLC		
White Balance	Auto / Manual		
Gain Control	Auto / Manual		
Noise Reduction	3D Advanced		
Smart IR	Yes, User Adjustable		
Digital Zoom	10x		
Tamper Detection	Yes		
Video Mirroring / Rotation	Horizontal Mirror / 90° / 180° / 270°		
Video Overlay	Channel / Time / Picture / Custom Text		
Window Blanking (Privacy)	Up to 4 Areas		
Menu Languages	English		
Network			
Protocols	IPv4/IPv6, HTTP, HTTPS, SSL, TCP/IP, UDP, UPnP, ICMP, IGMP, SNMP, RTSP, RTP, SMTP, NTP, DHCP, DNS, PPPoE, DDNS, FTP, IP Filter, QoS, Bonjour		
ONVIF Conformance	Profile S / G		
RTSP Video	Standard RFC2326, Support QuickTime/VLC Player, User Security Authentication (Enabled/Disabled)		
Users	20 Users		
Mechanical			
Material	Aluminum Alloy		
Product Dimensions (Dia x H)	4.3" D x 3.2" H 110mm D x 81mm H		
Product Weight	0.9 lbs / 0.4 kg		
Electrical			
Network Port	RJ45, 10/100 Base-T		
Analog Video Out (service only)	N/A		
Power Input	12V DC		
Power over Ethernet Type	PoE (802.3af)		
Power Consumption (max.)	5.0W		
Current Consumption (max.)	410mA		
Additional Features			
Edge Storage	Yes / microSD Type (128GB max.)		
Built-in Heater	No		
Audio I/O	1 Input / 1 Output		
Encoding	G.711a / G.711u / AAC		
Alarm I/O	1 Input / 1 Output		
Environmental			
Storage Temperature	-22°F ~ +140°F / -30°C ~ +60°C		
Storage Humidity	<95% RH		
Operating Temperature	-22°F ~ +140°F / -30°C ~ +60°C		
Operating Humidity	Less than 95% RH		
Cold Start Temperature	-22°F / -30°C		
Ingress Protection	IP66		
Vandal Resistance	IK10		
Certifications			
Certifications	CE / FCC		

Camera		PE133E	
Image Sensor	3MP, 1/3"		
Effective Pixels	H: 2304 x V: 1536		
Image Type	CMOS		
Image Readout	Progressive Scan		
Day/Night	Auto (ICR) / Color / B/W		
Day/Night Delay Adjustment	Yes		
Mechanical IR Filter	Yes		
Min. Illumination	0.7 lux @ F2.2 (Color), 0.4 lux @ F2.2 (B/W)		
S/N Ratio	≥56dB (AGC OFF)		
Horizontal Field of View	75°		
IR Illumination	75ft / 23m, 850nm		
IR ON/OFF Control	Yes		
Video Output	RJ45		
Electronic Shutter Range	1/3 (1/4) ~ 1/100,000 seconds		
Optical			
Lens Type	Fixed Lens		
Lens Mount	Board Type		
Iris Type	Fixed Iris		
Focal Length	2.8mm		
F-Number	F2.0		
Focus	Fixed		
Video			
Video Compression	H.264 / MJPEG		
Video Streams	H.264 / MJPEG Dual Stream		
Resolution Selection	3MP (2048x1536) / 1080p (1920x1080) / 720p (1280x720) / D1 (704x576/704x480) / CIF (352x288/352x240)		
Aspect Ratio	4:3		
Frame Rates (MAX)	3MP @ 25fps / 1080p/720p @ 25/30fps		
Bit Rate Control	CBR / VBR		
Bit Rate Selection	H.264: 16K ~ 8Mbps		
Quality Setting Range (Default)	1-6 (6)		
Region of Interest	No		
Dynamic Range	Up to 55dB		
Wide Dynamic Range	D-WDR		
Backlight Compensation	BLC / HLC		
White Balance	Auto / Manual		
Gain Control	Auto / Manual		
Noise Reduction	3D-DNR		
Smart IR	Yes, User Adjustable		
Image Stabilization	No		
Digital Zoom	10x		
Tamper Protection	Yes		
Adaptive Lens Correction (ALC)	No		
Video Mirroring / Rotation	Horizontal Mirror / Vertical Flip		
Video Overlay	Time / Date / Camera / Custom		
Window Blanking (Privacy)	Up to 4 Areas		
Menu Languages	English		
Network			
Protocols	IPv4/IPv6, HTTP, TCP/IP, ARP, UDP, UPnP, RTSP, RTP, SMTP, NTP, DHCP, DNS, DDNS, FTP, QoS		
ONVIF Conformance	Profile S		
RTSP Video	Standard RFC2326, Support QuickTime / VLC Player		
Unicast Users	Up to 10		
Multicast Users	Up to 30		
Mechanical			
Construction	Aluminum Alloy		
Product Dimensions (Dia x H)	3.8" D x 2.8" H 95mm D x 51mm H		
Product Weight	0.65lbs / 0.30kg		
Electrical			
Network Port	RJ45, 10/100 Base-T		
Power Input	12V DC		
Power over Ethernet (PoE) Type	PoE (802.3af)		
Power Consumption (max.)	2.8W		
Current Consumption (max.)	230mA		
Additional Features			
Edge Storage	No		
Built-in Heater	No		
Alarm I/O	No		
Environmental			
Storage Temperature	-40° ~ 140°F / -40° ~ 60°C		
Storage Humidity	<95% RH		
Operating Temperature	-22° ~ 140°F / -30° ~ 60°C		
Operating Humidity	<95% RH		
Cold Start Temperature	-22°F / -30°C		
Ingress Protection	IP66		
Certifications			
Certifications	CE / FCC		



## Ordering Information

N4A21K33: 8-41430-01853-7

## Package Dimensions

14.6 x 8.7 x 11.4" / 370 x 220 x 289mm

## MARKHAM, ONTARIO

FLIR Systems, Inc.  
250 Royal Crest Court  
Markham, ON L3R 3S1  
Canada  
PH: +1 866.344.4674

## PORTLAND

Corporate Headquarters  
FLIR Systems, Inc.  
27700 SW Parkway Ave.  
Wilsonville, OR 97070  
USA  
PH: +1 866.477.3687

www.flir.com/security  
NASDAQ: FLIR

Equipment described herein may require US Government authorization for export purposes. Diversion contrary to US law is prohibited. Imagery for illustration purposes only. Specifications are subject to change without notice. ©2017 FLIR Systems, Inc. All rights reserved.  
(Created 09/15/2017) - (17-2719-SEC)