

FLIR IP™

N8A32K44

4K HD PoE+ NVR System



N8A32K44

2 x 4K Cameras, 4 x 4MP Cameras,
8 Channels, 3TB HDD

The FLIR 4K HD PoE+ NVR System combines powerful Ultra HD recording with 2 x 4K (8MP) Ultra HD Vandal Dome Cameras and 4 x 4MP WDR Eyeball Dome Cameras to produce a formidable complete security solution. Installation is made simple with integrated PoE and auto-detection of the cameras upon connection. H.265 delivers improved compression efficiency for significant hard drive space savings.

HIGH PERFORMANCE VIDEO PROCESSING

Flexible video recording up to 4K resolution

- Supports 4K recording with cameras up to 8MP (4K)
- Pentaplex operation – simultaneous viewing, recording, playback, backup & remote monitoring

EASY INSTALLATION

Integrated PoE inputs for quick, convenient connection

- 8 integrated PoE+ ports
- 120 Watts total PoE (max 25W per channel)
- Auto-discovery of FLIR IP cameras with no programming

4K & 4MP CAMERAS INCLUDED

HD recording for excellent image detail and clarity

- 2 x N253V8 4K Ultra HD (8MP 3840 x 2160) @ 15fps, 100° (H) field of view, 100ft (31m) IR night vision range
- 4 x P143E4 – 4MP (2688 x 1520) @ 20fps, 90° (H) field of view, 82ft (25m) IR night vision range
- IP66 weatherproof rated & cold climate capable (-22°F / -30°C)

QUICK & SECURE REMOTE VIEWING

Remote access via iOS, Android, PC & Mac with FLIR Cloud™

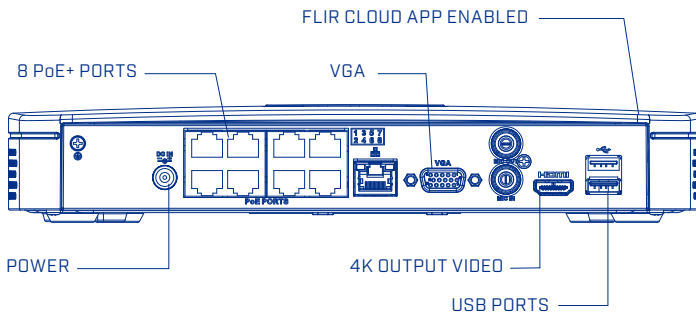
- Set up remote viewing in 3 easy steps: install FLIR Cloud™ app, scan QR code on NVR, and start viewing live video
- Multisite viewing with FLIR Cloud™ CMS for PC & Mac



Specifications

NVR Specifications		DNR2183
System		
Operating System	Linux (embedded)	
Pentaplex	View, record, playback, backup & remote monitoring	
Number of Channels	8 Channels	
Inputs/Outputs		
Video IN	8 PoE Video Inputs	
BNC OUT	No	
VGA OUT	Yes	
HDMI	Yes	
Audio IN	1 Line IN (RCA) for service only	
Audio OUT	1 Line OUT (RCA) for service only	
USB Port	2 back panel	
Alarm IN	N/A	
Alarm OUT	N/A	
Video Output Resolution	4K (3840x2160), 4MP, 1080p (1920x1080), 1280x1024, 1280x720, 1024x768	
PTZ Control	FLIR IP PTZ cameras only	
Display		
Live Display	1,4,8	
Live Display Speed	240fps NTSC, 200fps PAL	
OSD	ON/OFF	
System Navigation	USB mouse, IR remote controller, front panel buttons	
Motion Area Setting	Fixed grid (22x18)	
Sensitivity Levels	100	
Firmware Upgrade	Automatic over the Internet & via USB device and network	
User Authority	By user group	
Time Synchronization	Auto time sync by NTP server	
Recording		
Video Compression	H.264 / H.265	
Audio Compression	G.711	
Recording Resolution	720p (1280x720), 1080p (1920x1080) ~ 4K-8MP (3840x2160)	
Record Rate	240fps@720p/1080p/3MP/4MP/8MP(4K)	
Recording Quality Control	6 levels	
Recording Schedule	By hour, by day, by recording mode, by motion, by alarm, by channel	
Pre Recording	Max. 4 Seconds	
Post Recording	Max. 5 Minutes	
Reliability	Watch-Dog, auto-recovery after power failure	
Covert Video	Yes	
Playback		
Playback Channel	1/4/8	
Playback Speed	Variable Max 16x	
Playback Players	Backup Player	
Search	By time & event	
Log Search	Up to 1,000 lines for motion detected, configuration changes, connects/disconnects and video loss	
Audio Play	Yes (audio camera required)	
Storage & Archive		
Storage	1 HDD (SATA)	
Maximum Capacity	Up to 1x8TB SATA (max)	
Backup Media	USB flash drive & HDD	
Backup File Format	DAV or ASF file	

NVR Specifications		DNR2183
Connectivity		
Cloud Connection	FLIR Cloud™	
Supported Operating Systems	Windows™, Mac OSX	
Remote Software	Client Software (PC/Mac)	
Email Notification	Text with snapshot	
Instant Smart Phone & Tablet Support	Android™, iPad®, iPhone®	
DDNS	Free FLIR DDNS	
System Configuration	Full setup configuration over network	
Ports	Programmable by User	
Network Protocol	HTTP, IPv4/IPv6, TCP/IP, UPNP, RTSP, UDP, SMTP, NTP, DHCP, DNS, PPPOE, DDNS, FTP, IP Filter	
Network Interface	10/100-Base-TX, RJ-45	
NVR General Information		
Power Consumption	12 watts (No HDD Installed)	
Supply Voltage	100VAC-240VAC, 48V DC, 2A, 50/60Hz	
Total PoE Power Output (across all channels)	120W (Max 25W per Camera)	
Unit Weight	1.5lbs / 0.7kg (without HDD)	
Dimensions (W x H x D)	10.6 x 1.8 x 8.1" / 270 x 45 x 205mm	
Operating Temperature	14° ~ 131° F / -10° ~ 55° C	
Humidity	10 ~ 90% RH	

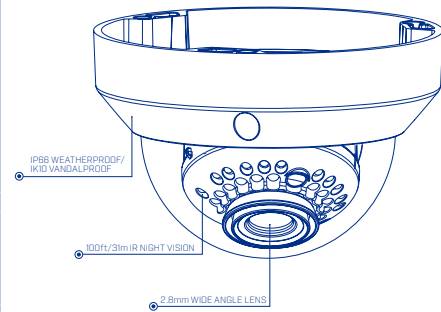


Specifications

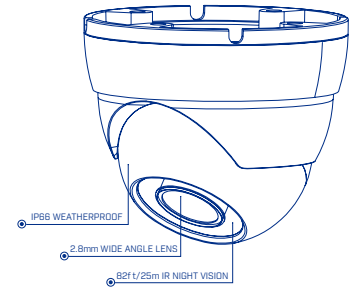
Camera		N253V8	
Imaging Device		Ultra HD 4K (8MP), 1/2.5"	
Effective Pixels		3840(H) x 2160(V)	
Image Type		CMOS	
Image Readout		Progressive Scan	
Day/Night		Auto (ICR) / Color / B/W	
Mechanical IR Cut Filter		Yes	
Min. Illumination		0.7lux @ F2.0 (Color), 0.2lux @ F2.0 (B/W)	
S/N Ratio		>42dB	
Field of View (H)		100°	
IR Illumination		100ft/31m, 850nm	
IR ON/OFF Control		Yes	
Video Output		RJ45	
Electronic Shutter Range		1/3(4)s ~ 1/100,000s	
Optical			
Lens Type		Fixed	
Mount Type		Board Type	
Iris Type		Fixed	
Iris Control Type		Auto	
Focal Length		2.8mm	
Aperture		F2.5	
Optical Zoom		N/A	
Focus		Fixed	
Video			
Video Compression		H.265 / Super H.264™ / H.264 / MJPEG	
Video Streams		H.265 / H.264 / MJPEG Triple Stream	
Resolution Selection		4K (3840x2160) / 6.3MP (3072x2048) / 5.3MP (3072x1728) / 5MP (2592x1944) / 4MP (2688x1520) / 3.7MP (2560x1440) / 3MP (2304x1296) / 1080p (1920x1080) / SXGA (1280x1024) / 1.3MP (1280x960) / 720p (1280x720)	
Aspect Ratio		16:9 / 4:3 (select non 4K resolutions)	
Frame Rates (Maximum)		4K (8MP) @ 15fps / 4MP/3MP/1080p/720p @ up to 25/30fps	
Bit Rate Control		CBR / VBR (w/Cap)	
Bit Rate Selection		H.265: 1280K ~ 7424Kbps H.264: 2304K ~ 10240Kbps	
Quality Setting Range (default)		1-6 (6)	
Region of Interest		Yes (4)	
Wide Dynamic Range		Digital WDR	
Dynamic Range		N/A	
Backlight Compensation		BLC / HLC	
White Balance		Auto / Manual	
Gain Control		Auto / Manual	
Noise Reduction		3D Advanced	
Smart IR		Yes, User Adjustable	
Digital Zoom		Up to 10x	
Tamper Detection		Yes	
Video Mirroring / Rotation		Horizontal Mirror / 90° / 180° / 270°	
Video Overlay		Channel / Time / Picture / Custom Text	
Window Blanking (Privacy)		Up to 4 Areas	
Menu Languages		English	
Network			
Protocols		IPv4/IPv6, HTTP, HTTPS, SSL, TCP/IP, UDP, UPnP, ICMP, IGMP, SNMP, RTSP, RTP, SMTP, NTP, DHCP, DNS, PPPOE, DDNS, FTP, IP Filter, QoS, Bonjour	
ONVIF Conformance		Profile S / G	
RTSP Video		Standard RFC2326, Support QuickTime/VLC Player, User Security Authentication (Enabled/Disabled)	
Users		20 Users	
Mechanical			
Material		Aluminum Alloy	
Product Dimensions (Dia x H)		4.3" D x 3.2" H 110mm D x 81mm H	
Product Weight		0.9 lbs / 0.4 kg	
Electrical			
Network Port		RJ45, 10/100 Base-T	
Analog Video Out (service only)		N/A	
Power Input		12V DC	
Power over Ethernet Type		PoE (802.3af)	
Power Consumption (max.)		5.0W	
Current Consumption (max.)		410mA	
Additional Features			
Edge Storage		Yes / microSD Type (128GB max.)	
Built-in Heater		No	
Audio I/O		1 Input / 1 Output	
Encoding		G.711a / G.711u / AAC	
Alarm I/O		1 Input / 1 Output	
Environmental			
Storage Temperature		-22°F ~ +140°F / -30°C ~ +60°C	
Storage Humidity		<95% RH	
Operating Temperature		-22°F ~ +140°F / -30°C ~ +60°C	
Operating Humidity		<95% RH	
Cold Start Temperature		-22°F / -30°C	
Ingress Protection		IP66	
Vandal Resistance		IK10	
Certifications			
Certifications		CE / FCC	

Camera		P143E4	
Image Sensor		4MP, 1/3"	
Effective Pixels		2688(H) x 1520(V)	
Imager Type		CMOS	
Image Readout		Progressive Scan	
Day/Night		Auto (ICR) / Color / B/W	
Day/Night Delay Adjustment		Yes	
Mechanical IR Filter		Yes	
Min. Illumination		0.38 lux @ F2.0 (Color), F2.0 lux @ F1.8 (B/W)	
S/N Ratio		46dB (AGC OFF)	
Horizontal Field of View		90°	
IR Illumination		82ft / 25m, 850nm	
IR ON/OFF Control		Yes	
Video Output		IP	
Electronic Shutter Range		1/3 (1/4) ~ 1/100,000 seconds	
Optical			
Lens Type		Fixed	
Lens Mount		Board Type	
Iris Type		AES	
Focal Length		2.8mm	
F-Number		F2.0	
Focus		Fixed	
Video			
Video Compression		H.265 / H.264 / MJPEG	
Video Streams		H.265 / H.264 / MJPEG Triple Stream	
Resolution Selection (Mainstream)		4MP(2688 x 1520) / 3.7MP(2560x1440) / 3MP(2304x1296) / 1080P(1920x1080) / SXGA (1280x1024) / 1.3MP(1280x960) / 720P(1280x720)	
Aspect Ratio		16 : 9 (excl. 1.3MP @ 4:3)	
Frame Rates (MAX)		4MP @ up to 20fps / 3MP/1080p/720p @ 25/30fps	
Bit Rate Control		CBR / VBR (with cap)	
Bit Rate Selection (Mainstream)		H.264 ~ 2,304Kbps ~ 10,240Kbps H.265 ~ 768Kbps ~ 7,680Kbps / Custom	
Quality Setting Range (default)		1-6 (6)	
Region of Interest		Yes (4)	
Wide Dynamic Range		True WDR, User selectable	
Dynamic Range		Up to 100dB	
Backlight Compensation		BLC / HLC	
White Balance		Auto / Manual	
Gain Control		Auto / Manual	
Noise Reduction		3D-DNR	
Smart IR		Yes, User Adjustable	
Image Stabilization		No	
Digital Zoom		Up to 10x	
Tamper Protection		Yes	
Adaptive Lens Correction (ALC)		No	
Video Mirroring / Rotation		Horizontal Mirror / 90° / 180° / 270° / Hallway Mode	
Video Overlay		Time / Date / Channel / Title / Custom	
Window Blanking (Privacy)		Up to 4 Areas	
Menu Languages		English	
Network			
Protocols		IPv4/IPv6, HTTP, TCP/IP, ARP, UDP, UPnP, RTSP, RTP, SMTP, NTP, DHCP, DNS, DDNS, FTP, QoS	
ONVIF Conformance		Profile S	
RTSP Video		Standard RFC2326, Support QuickTime/VLC Player, User Security Authentication (Enabled/Disabled)	
Unicast Users		Up to 20	
Multicast Users		Up to 20	
Mechanical			
Construction		Aluminum Alloy	
Product Dimensions (Dia x H)		3.8" D x 2.9" H 95mm D x 73mm H	
Product Weight		0.30kg / 0.65lbs	
Electrical			
Network Port		RJ45, 10/100 Base-T	
Power Input		12V DC	
Power over Ethernet (PoE) Type		PoE (802.3af)	
Power Consumption (max.)		2.8W	
Current Consumption (max.)		230mA	
Additional Features			
Edge Storage		N/A	
Built-in Heater		N/A	
Audio I/O		N/A	
Encoding		N/A	
Alarm I/O		N/A	
Environmental			
Storage Temperature		-40° ~ 140°F / -40° ~ 60°C	
Storage Humidity		<95% RH	
Operating Temperature		-22° ~ 140°F / -30° ~ 60°C	
Operating Humidity		<95% RH	
Cold Start Temperature		-22°F / -30°C	
Ingress Protection		IP66	
Certifications			
Certifications		CE / FCC	

4K IP VANDAL DOME CAMERA



4MP IP EYEBALL DOME CAMERA



Ordering Information

N8A32K44: 8-41430-01854-4

Package Dimensions

17.1 x 8.7 x 11.4" / 434 x 220 x 290mm

MARKHAM, ONTARIO

FLIR Systems, Inc.
250 Royal Crest Court
Markham, ON L3R 3S1
Canada
PH: +1 866.344.4674

PORTLAND

Corporate Headquarters
FLIR Systems, Inc.
27700 SW Parkway Ave.
Wilsonville, OR 97070
USA
PH: +1 866.477.3687

www.flir.com/security
NASDAQ: FLIR

Equipment described herein may require US Government authorization for export purposes. Diversion contrary to US law is prohibited. Imagery for illustration purposes only. Specifications are subject to change without notice. ©2017 FLIR Systems, Inc. All rights reserved.
(Created 09/13/2017) - (17-2711-SEC)