

FLIR IP™

N16D44K84 4K HD PoE+ NVR System



N16D44K84

4 x 4K Cameras, 8 x 4MP Cameras,
16 Channels, 4TB HDD

The **FLIR 4K HD PoE+ NVR System** combines powerful Ultra HD recording with 4 x 4K(8MP) Ultra HD Vandal Dome Cameras and 8 x 4MP WDR Eyeball Dome Cameras to produce a formidable complete security solution. Installation is made simple with integrated PoE and auto-detection of the cameras upon connection. H.265 delivers improved compression efficiency for significant hard drive space savings.

HIGH PERFORMANCE VIDEO PROCESSING

Flexible video recording up to 4K resolution

- 320Mbps network bit rate (48~8192 kbps/ch)
- Supports high definition recording with cameras up to 8MP (4K)
- Pentaplex operation – simultaneous viewing, recording, playback, backup & remote monitoring

EASY INSTALLATION

Integrated PoE inputs for quick, convenient connection

- 16 integrated PoE+ ports
- 130 Watts total PoE (max 25W per channel)
- Auto-discovery of FLIR IP cameras with no programming

4K & 4MP CAMERAS INCLUDED

HD recording for excellent image detail and clarity

- 4 x N253V8 4K Ultra HD (8MP 3840 x 2160) @ 15fps, 100° (H) field of view, 100ft (31m) IR night vision range
- 8 x P143E4 – 4MP (2688 x 1520) @ 20fps, 90° (H) field of view, 82ft (25m) IR night vision range
- IP66 weatherproof rated & cold climate capable (-22°F / -30°C)

QUICK & SECURE REMOTE VIEWING

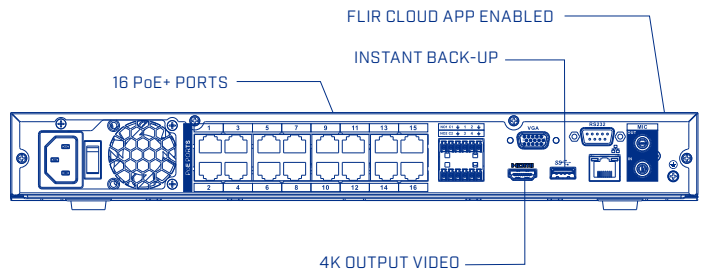
Remote access via iOS, Android, PC & Mac with FLIR Cloud™

- Set up remote viewing in 3 easy steps: install FLIR Cloud™ app, scan QR code on NVR, and start viewing live video
- Multisite viewing with FLIR Cloud™ CMS for PC & Mac



Specifications

NVR		DNR7164	
System			
Operating System	Linux (embedded)		
Pentaplex	Simultaneous view, record, playback, backup & remote monitoring		
Number of Channels	16 Channels		
Inputs/Outputs			
Video IN	16 PoE Video Inputs		
Video OUT	No		
VGA OUT	Yes		
HDMI	Yes		
Audio IN	1 Line IN (RCA) for service only		
Audio OUT	1 Line OUT (RCA) for service only		
USB Port	1 at the back, 1 at the front		
Alarm IN	4 Alarm IN		
Alarm OUT	2 Alarm OUT		
Video Output Resolution	3840x2160, 1920x1080, 1280x1024, 1280x720, 1024x768		
PTZ Control	FLIR IP PTZ cameras only		
Display			
Live Display	1,4,8,9,16		
Live Display Speed	480fps NTSC, 400fps PAL		
OSD	ON/OFF		
System Navigation	USB mouse, IR remote controller, front panel buttons		
Motion Area Setting	Fixed grid (22x18)		
Sensitivity Levels	100		
Firmware Upgrade	Automatic over the Internet & via USB device and network		
User Authority	By user group		
Time Synchronization	Auto time sync by NTP server		
Recording			
Video Compression	H.264 / H.265		
Audio Compression	G.711		
Recording Resolution	720p (1280x720), 1080p (1920x1080) ~ 4K-8MP (3840x2160)		
Record Rate	16ch: 480fps@720p/1080p/3MP/4MP/8MP		
Recording Quality Control	6 levels		
Recording Schedule	By hour, by day, by recording mode, by motion, by alarm, by channel		
Pre Recording	Max. 4 Seconds		
Post Recording	Max. 5 Minutes		
Reliability	Watch-Dog, auto-recovery after power failure		
Covert Video	Yes		
Playback			
Playback Channel	1/4/8		
Playback Speed	Variable Max 16x		
Playback Players	Backup Player		
Search	By time & event		
Log Search	Up to 1,000 lines for motion detected, configuration changes, connects/disconnects and video loss		
Audio Play	Yes (audio camera required)		
Storage & Archive			
Storage	Up to 2 HDDs (SATA)		
Maximum Capacity	Up to 2x8TB		
Backup Media	USB flash drive & HDD		
Backup File Format	DAV or ASF file		
Connectivity			
Cloud Connection	FLIR Cloud™		
Supported Operating Systems	Windows™, Mac OSX		
Remote Software	Client Software (PC/Mac)		
Email Notification	Text with snapshot		
Instant Smart Phone & Tablet Support	Android™, iPad®, iPhone®		
DDNS	Free FLIR DDNS		
System Configuration	Full setup configuration over network		
Ports	Programmable by User		
Network Protocol	HTTP, IPv4/IPv6, TCP/IP, UPNP, RTSP, UDP, SMTP, NTP, DHCP, DNS, PPPoE, DDNS, FTP, IP Filter		
Network Bit Rate	320Mbps total, 48~8192kbps per camera		
Network Interface	10/100/1000-Base-TX, RJ-45		
NVR General Information			
Power Consumption	Approx. 15W (No HDD Installed)		
Supply Voltage	100VAC-240VAC, 50/60Hz		
Total PoE Power Output (across all channels)	130W (Max 25W per camera)		
Unit Weight	13.2lbs / 2.7kg		
Dimensions (W x H x D)	14.7 x 12.9 x 2.1" / 3765 x 327 x 53mm		
Operating Temperature	14° ~ 131° F / -10° ~ 55° C		
Humidity	10 ~ 90% RH		

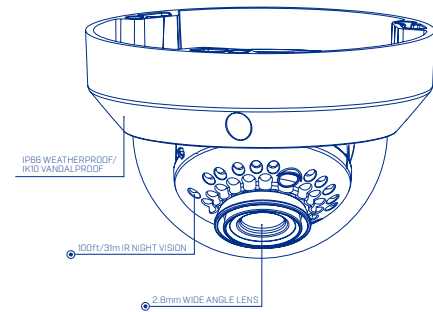


Specifications

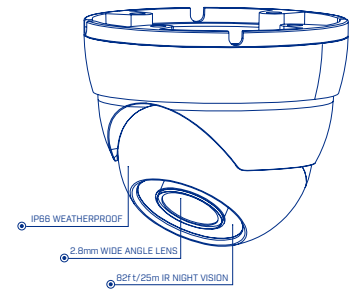
Camera		N253V8	
Imaging Device		Ultra HD 4K (8MP), 1/2.5"	
Effective Pixels		3840(H) x 2160(V)	
Image Type		CMOS	
Image Readout		Progressive Scan	
Day/Night		Auto (ICR) / Color / B/W	
Mechanical IR Cut Filter		Yes	
Min. Illumination		0.7lux @ F2.0 (Color), 0.2lux @ F2.0 (B/W)	
S/N Ratio		≥42dB	
Field of View (H)		100°	
IR Illumination		100ft/31m, 850nm	
IR ON/OFF Control		Yes	
Video Output		RJ45	
Electronic Shutter Range		1/3(s) ~ 1/100,000s	
Optical			
Lens Type		Fixed	
Mount Type		Board Type	
Iris Type		Fixed	
Iris Control Type		Auto	
Focal Length		2.8mm	
Aperture		F2.5	
Optical Zoom		N/A	
Focus		Fixed	
Video			
Video Compression		H.265 / Super H.264™ / H.264 / MJPEG	
Video Streams		H.265 / H.264 / MJPEG Triple Stream	
Resolution Selection		4K (3840x2160) / 6.3MP (3072x2048) / 5.3MP (3072x1728) / 5MP (2592x1944) / 4MP (2688x1520) / 3.7MP (2560x1440) / 3MP (2304x1296) / 1080p (1920x1080) / SXGA (1280x1024) / 1.3MP (1280x960) / 720p (1280x720)	
Aspect Ratio		16:9 / 4:3 (select non 4K resolutions)	
Frame Rates (Maximum)		4K (8MP) @ 15fps / 4MP/3MP/1080p/720p @ up to 25/30fps	
Bit Rate Control		CBR / VBR (w/Cap)	
Bit Rate Selection		H.265: 1280K ~ 7424Kbps H.264: 2304K ~ 10240Kbps	
Quality Setting Range (default)		1-6 (6)	
Region of Interest		Yes (4)	
Wide Dynamic Range		Digital WDR	
Dynamic Range		N/A	
Backlight Compensation		BLC / HLC	
White Balance		Auto / Manual	
Gain Control		Auto / Manual	
Noise Reduction		3D Advanced	
Smart IR		Yes, User Adjustable	
Digital Zoom		Up to 10x	
Tamper Detection		Yes	
Video Mirroring / Rotation		Horizontal Mirror / 90° / 180° / 270°	
Video Overlay		Channel / Time / Picture / Custom Text	
Window Blanking (Privacy)		Up to 4 Areas	
Menu Languages		English	
Network			
Protocols		IPv4/IPv6, HTTP, HTTPS, SSL, TCP/IP, UDP, UPnP, ICMP, IGMP, SNMP, RTSP, RTP, SMTP, NTP, DHCP, DNS, PPPOE, DDNS, FTP, IP Filter, QoS, Bonjour	
ONVIF Conformance		Profile S / G	
RTSP Video		Standard RFC2326, Support QuickTime/VLC Player, User Security Authentication (Enabled/Disabled)	
Users		20 Users	
Mechanical			
Material		Aluminum Alloy	
Product Dimensions (Dia x H)		4.3" D x 3.2" H 110mm D x 81mm H	
Product Weight		0.9 lbs / 0.4 kg	
Electrical			
Network Port		RJ45, 10/100 Base-T	
Analog Video Out (service only)		N/A	
Power Input		12V DC	
Power over Ethernet Type		PoE (802.3af)	
Power Consumption (max.)		5.0W	
Current Consumption (max.)		410mA	
Additional Features			
Edge Storage		Yes / microSD Type (128GB max.)	
Built-in Heater		No	
Audio I/O		1 Input / 1 Output	
Encoding		G.711a / G.711u / AAC	
Alarm I/O		1 Input / 1 Output	
Environmental			
Storage Temperature		-22°F ~ +140°F / -30°C ~ +60°C	
Storage Humidity		<95% RH	
Operating Temperature		-22°F ~ +140°F / -30°C ~ +60°C	
Operating Humidity		<95% RH	
Cold Start Temperature		-22°F / -30°C	
Ingress Protection		IP66	
Vandal Resistance		IK10	
Certifications			
Certifications		CE / FCC	

Camera		P143E4	
Image Sensor		4MP, 1/3"	
Effective Pixels		2688(H) x 1520(V)	
Imager Type		CMOS	
Image Readout		Progressive Scan	
Day/Night		Auto (ICR) / Color / B/W	
Day/Night Delay Adjustment		Yes	
Mechanical IR Filter		Yes	
Min. Illumination		0.38 lux @ F2.0 (Color), F2.0 lux @ F1.8 (B/W)	
S/N Ratio		46dB (AGC OFF)	
Horizontal Field of View		90°	
IR Illumination		82ft / 25m, 850nm	
IR ON/OFF Control		Yes	
Video Output		RJ45	
Electronic Shutter Range		1/3 (1/4) ~ 1/100,000 seconds	
Optical			
Lens Type		Fixed	
Lens Mount		Board Type	
Iris Type		AES	
Focal Length		2.8mm	
F-Number		F2.0	
Focus		Fixed	
Video			
Video Compression		H.265 / H.264 / MJPEG	
Video Streams		H.265 / H.264 / MJPEG Triple Stream	
Resolution Selection (Mainstream)		4MP(2688 x 1520) / 3.7MP(2560x1440) / 3MP(2304x1296) / 1080P(1920x1080) / SXGA (1280x1024) / 1.3MP(1280x960) / 720P(1280x720)	
Aspect Ratio		16 : 9 (excl. 1.3MP @ 4:3)	
Frame Rates (MAX)		4MP @ up to 20fps / 3MP/1080p/720p @ 25/30fps	
Bit Rate Control		CBR / VBR (with cap)	
Bit Rate Selection (Mainstream)		H.264 ~ 2,304Kbps ~ 10,240Kbps H.265 ~ 768Kbps ~ 7,680Kbps / Custom	
Quality Setting Range (default)		1-6 (6)	
Region of Interest		Yes (4)	
Wide Dynamic Range		True WDR, User selectable	
Dynamic Range		Up to 100dB	
Backlight Compensation		BLC / HLC	
White Balance		Auto / Manual	
Gain Control		Auto / Manual	
Noise Reduction		3D-DNR	
Smart IR		Yes, User Adjustable	
Image Stabilization		No	
Digital Zoom		Up to 10x	
Tamper Protection		Yes	
Adaptive Lens Correction (ALC)		No	
Video Mirroring / Rotation		Horizontal Mirror / 90° / 180° / 270° / Hallway Mode	
Video Overlay		Time / Date / Channel / Title / Custom	
Window Blanking (Privacy)		Up to 4 Areas	
Menu Languages		English	
Network			
Protocols		IPv4/IPv6, HTTP, TCP/IP, ARP, UDP, UPnP, RTSP, RTP, SMTP, NTP, DHCP, DNS, DDNS, FTP, QoS	
ONVIF Conformance		Profile S	
RTSP Video		Standard RFC2326, Support QuickTime/VLC Player, User Security Authentication (Enabled/Disabled)	
Unicast Users		Up to 20	
Multicast Users		Up to 20	
Mechanical			
Construction		Aluminum Alloy	
Product Dimensions (Dia x H)		3.8" D x 2.9" H 95mm D x 73mm H	
Product Weight		0.65lbs / 0.30kg	
Electrical			
Network Port		RJ45, 10/100 Base-T	
Power Input		12V DC	
Power over Ethernet (PoE) Type		PoE (802.3af)	
Power Consumption (max.)		2.8W	
Current Consumption (max.)		230mA	
Additional Features			
Edge Storage		N/A	
Built-in Heater		N/A	
Audio I/O		N/A	
Encoding		N/A	
Alarm I/O		N/A	
Environmental			
Storage Temperature		-40° ~ 140°F / -40° ~ 60°C	
Storage Humidity		<95% RH	
Operating Temperature		-22° ~ 140°F / -30° ~ 60°C	
Operating Humidity		<95% RH	
Cold Start Temperature		-22°F / -30°C	
Ingress Protection		IP66	
Certifications			
Certifications		CE / FCC	

4K IP VANDAL DOME CAMERA



4MP IP EYEBALL DOME CAMERA



Ordering Information

N16D44K84: 8-41430-01855-1

Package Dimensions

18.1 x 16.3 x 17.3" / 476 x 324 x 446mm

MARKHAM, ONTARIO

FLIR Systems, Inc.
250 Royal Crest Court
Markham, ON L3R 3S1
Canada
PH: +1 866.344.4674

PORTLAND

Corporate Headquarters
FLIR Systems, Inc.
27700 SW Parkway Ave.
Wilsonville, OR 97070
USA
PH: +1 866.477.3687

www.flir.com/security
NASDAQ: FLIR

Equipment described herein may require US Government authorization for export purposes. Diversion contrary to US law is prohibited. Imagery for illustration purposes only. Specifications are subject to change without notice. ©2017 FLIR Systems, Inc. All rights reserved.
(Created 09/13/2017) - (17-2712-SEC)