



COMPACT SIZE – COMPONENTS



Pendant

Ceiling

Wall

Stanchion

MB MOUNTING BRACKETS				
CATALOG NUMBER				HUB SIZE
PENDANT	CEILING	WALL	STANCHION	
MBA-2	MBX-2	MBB-2	—	3/4"
MBA-3	MBX-3	MBB-3	—	1"
—	MBX-8	—	—	M20
—	—	—	MBD-4	1-1/4"
—	—	—	MBD-5	1-1/2"



MBG

VMR175

VZRG1550

VZRG2550

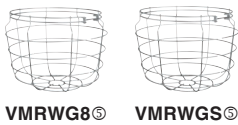
VZRP175

VZRGF8

VZRPF8

MBAG

VMAG17



VMRWG8®

VMRWGS®



VMPSD-17



VMPA-17



VMFSPC1



VEXA100B

Non-Glass Polycarbonate 8" Flat Lens or Spin-top



Patented Design

MBL LED OPTICS AND ACCESSORIES		
DESCRIPTION	OPTIC LOGIC	GUARD
Globe (glass)	MBG (GL)	MBAG
Reflector (all glass) Type V	VMR175 (R5)	VMAG17
Reflector (spin top) 8" Type V	VZRG1550 (S8)	VMRWG8
Reflector (spin top) 12" Type V	VZRG2550 (S5)	VMRWGS
8" Spin-top flat lens (glass) 14-24W	VZRGF8 (GF)	VZRF8GRD
8" Spin-top flat lens (polycarbonate) 14-24W	VZRPF8 (PF)	VZRF8GRD
Reflector polycarbonate (spin -top) 12" Type V	VZRP175 (P5)	VMRWGS
Pathway Reflector 14-24W	VZRF8PR	NA
Reflector for MBG Globe - DOME	VMPSD-17	NA
Reflector for MBG Globe - ANGLE	VMPA-17	NA
120VAC Photocell with FS Style Cover	VMFSPC1	NA
208-277VAC Photocell with FS Style Cover	VMFSPC2	NA
3-sided EXIT Accessory (use without guard)	VEXA100B	NA



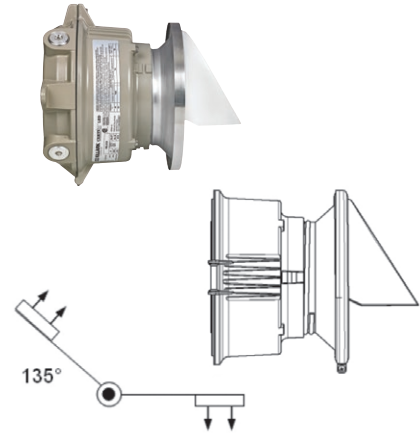
COMPACT SIZE – RATINGS, SPECIAL AIMING ANGLES

ORDERING INFORMATION AND AMBIENT SUITABILITY					C1D2 OPTIC ONLY		ABCD W/ REFLECTOR		C2D1 OPTIC ONLY		EFG W/ REFLECTOR	
CATALOG NO.	WEIGHT LBS./KG	WATTS	VOLTAGE	AMPS	40°C	55°C	40°C	55°C	40°C	55°C	40°C	55°C
MBL1427	10.00 / 4.54	14	12-24VDC	1.17-0.58	T5	T4A	T4	T3B	T4A	T4A	T4A	T4A
MBL1430			120-277VAC	0.12-0.05								
MBL1434			120-250VDC	0.12-0.04								
MBL1727		17	12-24VDC	1.42-0.71	T5	T5	T5	T5	T4	T4	T4	T4
MBL1730			120-277VAC	0.14-0.06								
MBL1734			120-250VDC	0.14-0.06								
MBL2027		20	12-24VDC	1.67-0.83	T5	T5	T5	T5	T4	T4	T4	T4
MBL2030			120-277VAC	0.17-0.07								
MBL2034			120-250VDC	0.17-0.06								
MBL2227		22	12-24VDC	1.83-0.92	T4A	T4	T4A	T4	T4	T4	T4	T4
MBL2230			120-277VAC	0.18-0.08								
MBL2234			120-250VDC	0.18-0.07								
MBL2527		25	12-24VDC	2.08-1.04	T5	T5	T5	T5	T4	T4	T4	T4
MBL2530			120-277VAC	0.21-0.09								
MBL2534	120-250VDC		0.21-0.08									
MBL4027	15.5 / 7.03	40	12-24VDC	3.33-1.67	T5	-	T5	-	T4	-	T4	-
MBL4030			120-277VAC	0.33-0.14								
MBL5027		50	12-24VDC	4.17-2.08	T5	-	T5	-	T4	-	T4	-
MBL5030			120-277VAC	0.42-0.18								

TYPICAL WEIGHTS (LBS.) W/STANDARD GLOBE AND GUARD - MBL SERIES				
14-25W	Pendant 14.96	Ceiling 15.96	Wall 19.30	Stanchion 16.83
40-50W	Pendant 20.96	Ceiling 21.69	Wall 25.30	Stanchion 22.83

DELIVERED LUMENS			
WATTS	MBL + MBG	MBL + VMR	MBL + VZRXF8
14	910	800	980
20	1785	1570	2009
22	1365	1201	1427
25	2485	2236	3186
40	3625	3821	-
50	5824	6139	-

**Special Aiming Angles
Wall Mount MBL with Pathway Reflector**



14W-25W MBL Housings with 8" Flat Spin-Top Lens may be aimed from 135° to 0° with or without the VZRF8PF Pathway Reflector. Pathway Reflector must NOT be aimed upwards in a Class II (Dust) environment, or where any contaminant may be collected. Applications include tunnels, lighting dark spots around ceiling piping or pathways near handrails.