

Skylark Contour Reverse-Phase (Electronic Low-Voltage) Dimmer

Dimmer for ELV, LED, CFL, Halogen, and Incandescent dimmable bulbs.

Features

- On/off rocker switch with a linear-slide dimmer for a standard designer wallplate opening
- UL® Listed to control:
 - Dimmable LED with integrated driver
 - Dimmable compact fluorescent (CFL) with integrated ballast
 - Incandescent/Halogen
 - Electronic Low-Voltage (ELV) transformers with halogen or LED (see Lutron App Note #559)
- Reverse-phase type control. Neutral wire connection is required in the wallbox.
- 100% factory tested.

Application Requirements

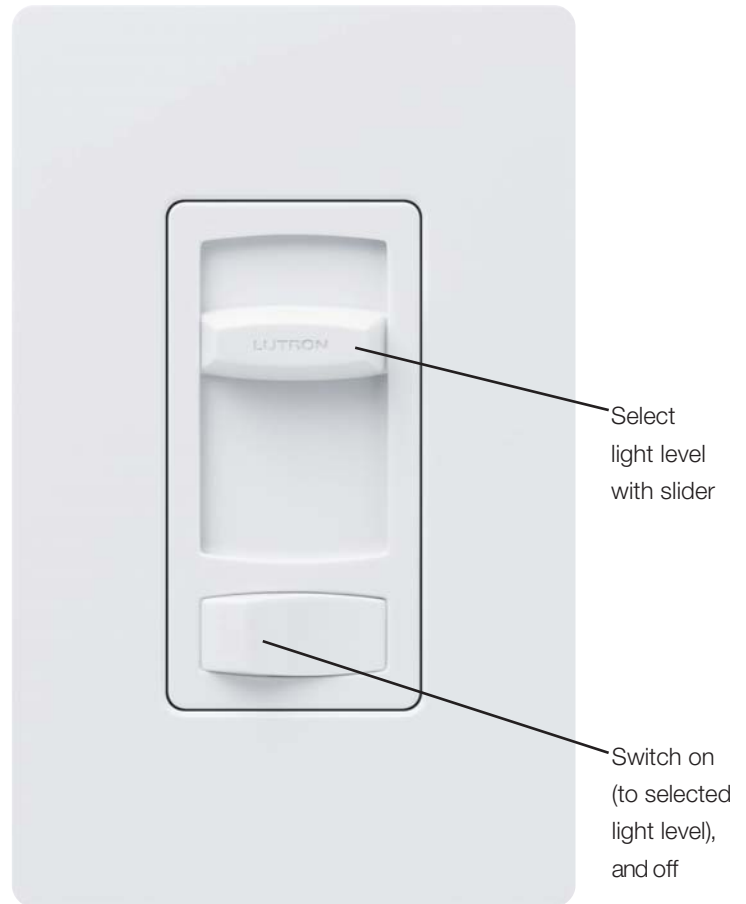
- ***For the best performance, use a bulb that is on the Lutron LED Report Card Tool***
- When dimming LEDs or CFLs, only bulbs marked or rated as DIMMABLE WITH REVERSE-PHASE OR UNIVERSAL DIMMERS may be used.
- Not compatible with magnetic low-voltage (MLV) transformers or magnetic LED transformers/drivers
- Dimmer is not compatible with bulbs rated only for forward-phase type dimmers.

Model Number

CTRP-253P-XX¹ Single pole/3-way²

¹ "XX" in the model number represents color/finish code; see "Colors and Finishes" on next page.

² For 3-way and 4-way switching, use Claro switches or other mechanical switches.



* Wallplate sold separately

Specifications

Regulatory Approvals

- UL® Listed to US and Canadian safety requirements UL1472 / CSA C22.2 184.1
- NOM

Power and Ratings

- 120 V~ 60 Hz
- 250 W dimmable LED/CFL
- or*
- 500 W Incandescent/Halogen
- or*
- 500 W ELV with Halogen
- or*
- Mixed bulb type per **Multigang and Mixed Bulb Type Ratings** table (see page 3)

Minimum Load

- 1 compatible LED/CFL bulb
- or*
- 5 W Incandescent/Halogen
- or*
- 1 ELV transformer (See note on page 3) **Environment**
- For indoor use only.
- Operating temperatures 32 °F to 104 °F (0 °C to 40 °C)

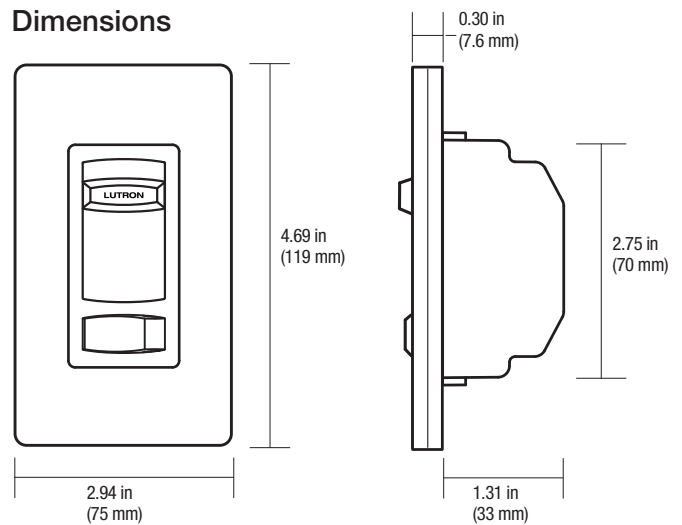
C). Performance

- Power-failure memory
- Captive linear slider
- Electrostatic discharge tested
- Precise color matching
- Mechanical air-gap switch to disconnect load power

Warranty

- 1 Year Limited Warranty
- For additional Warranty information

Dimensions



Note: Requires a U.S. wallbox 2½ in (64 mm) deep minimum.

Colors and Finishes

Gloss Finishes

Add color/finish code to model #

Example: CTRP-253P-WH

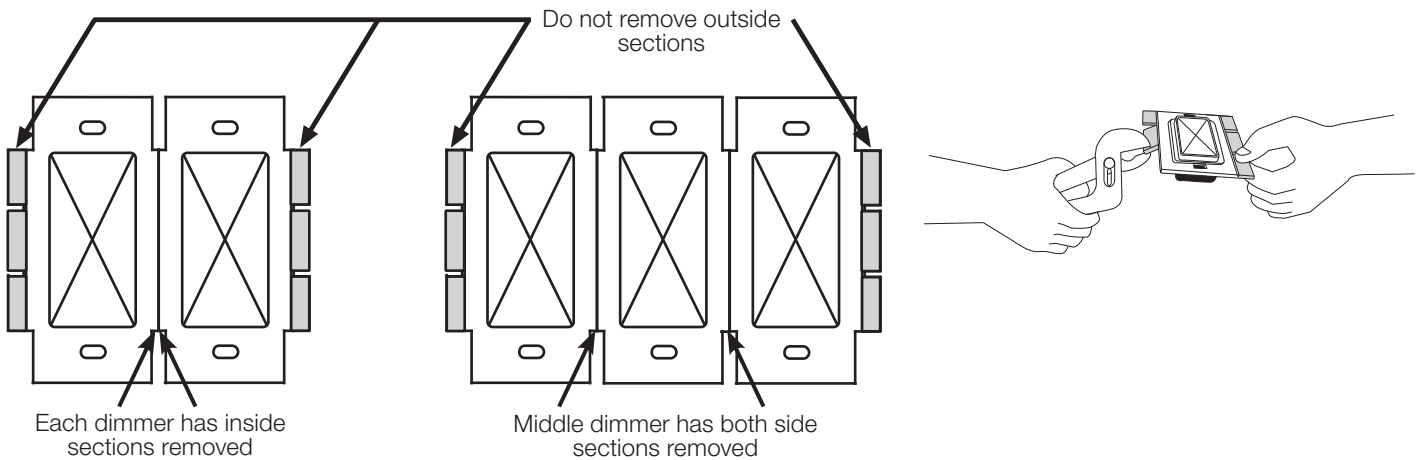
WH	White
IV	Ivory
AL	Almond
LA	Light Almond
GR	Gray
BR	Brown
BL	Black

Multigang and Mixed-Bulb-Type Ratings

When installing more than one dimmer in the same wallbox, it may be necessary to remove some side sections prior to wiring (**see diagram**). Removal of dimmer side sections may reduce maximum wattage, as shown in the chart below.

Mixing bulb types (**using a combination of LED/CFL and Incandescent/Halogen bulbs**) will also affect the maximum ratings, as shown in the chart below.

***EXAMPLE:** If one set of side sections is removed and you have two 20 W LED bulbs installed (Total LED Wattage = 40 W), you may add up to 300 W of incandescent or halogen lighting.



Total LED/CFL Wattage Installed (Wattage per bulb x # of bulbs)	+	Maximum Allowable Incandescent/Halogen Wattage		
		No sides removed	1 side removed	2 sides removed
0 W		500	400	300
1 W - 40 W		400	300	200
41 W - 80 W		300	200	100
81 W - 120 W		200	100	50
121 W - 160 W		100	50	25
161 W - 200 W		50	0	0
201 W - 250 W		0	0	0

Note: For recommended ELV transformers and compatible MR16 LED bulbs, please see Lutron Application Note #559

Job Name: Job Number:	Model Numbers:
--	-----------------------