

Nova T☆ Controls

This series of classic thin-profile linear-slide dimmers and switches offers the following standard features:

- Square Law Dimming
- Voltage compensation (not applicable to NTCL-250)
- Power-failure memory
- Superior RFI suppression
- Captive linear slider
- Accessible air-gap switch
- Electrostatic discharge tested
- Precise color matching
- Heavy-duty components for surge protection and long product life
- 100% factory tested

Product Family Features

- Available for 120–277~ line voltage switching (sink-only control) 0–10 V_{DC} LED drivers and ballasts (power pack not required for loads up to 8 A)
- Excellent for residential or commercial applications
- Intuitive operation; easy to use
- Slide-to-off and preset models available
- Enclosed heat sink for aesthetically pleasing appearance
- Multi-gang alignment for quick and easy installation
- Full family of products for most lighting sources, plus matching accessories and wallplates
- Rated at 120 V~ 60 Hz, unless noted otherwise
- Custom products (CPN) are available to meet specific customer needs. Please contact Lutron Customer Assistance at 1.844.LUTRON1 (588.7661) for availability.

Regulatory Approvals

- UL® Listed
- CSA
- NOM

Colors and Finishes

When ordering product for use with metal wallplates, the product and wallplate must be ordered separately. See the “Architectural Wallplates and Accessories” section of **Volume 1: Basic Devices and Single-Space Systems Catalog** (P/N 367-1746) for ordering procedure. See table to the right for complete list of metal finishes.

Custom color matching is available for all Nova T☆ products. A swatch or sample is all that is required. Call customer service to arrange for a color-matched control.



Slide-to-Off Controls
Select light level with slider; slide down to OFF



Preset Controls
Select light level with slider; press ON/OFF

Engraving is available for all Nova T☆ products. Engraving schedules

Available Colors and Finishes

Matte Finishes

To order, add color/finish suffix code to model number. Example: NT-600-**WH**

Code	Color
WH	White
TP	Taupe
AL	Almond
BL	Black

Code	Color
GR	Gray
IV	Ivory
LA	Light Almond

Code	Color
BE	Beige
SI	Sienna
BR	Brown

Special Order

To order, add color/finish suffix code to model number. Example: NT-600-**BB**

Metal Finishes

Code	Color
SB	Satin Brass
BC	Bright Chrome

Code	Color
BB	Bright Brass

Special Metal Finishes

Code	Color
QB	Antique Brass
SC	Satin Chrome
BN	Bright Nickel

Code	Color
QZ	Antique Bronze
SN	Satin Nickel

Anodized Aluminum Finishes

Code	Color
CLA	Clear


Code	Color
BLA	Black

Code	Color
BRA	Brass

Job Name:	Model Numbers:
Job Number:	


Control Specifications (continued)

Reverse-Phase Electronic Low-Voltage (ELV) Dimmer: Slide-to-Off

 Small Control	Description	Maximum Capacity	Model Number
	Dimmable LED/CFL; Single-pole 120 V~ 60 Hz	250 W	
	Incandescent/Halogen Single-pole 120 V~ 60 Hz	600 W	NTRP-250-XX
	ELV with Halogen Single-pole 120 V~ 60 Hz	600 W	


- **For the best performance, use a bulb that is on the Lutron LED Report Card Tool**
- When dimming LEDs or CFLs, only bulbs marked or rated as DIMMABLE WITH REVERSE-PHASE OR UNIVERSAL DIMMERS may be used.
- For recommended ELV transformers and compatible MR16 LED bulbs, please see Lutron Application Note #559. Always follow the transformer and bulb manufacturer instructions for allowable loading.
- Not compatible with magnetic low-voltage (MLV) transformers or magnetic LED transformers/drivers
- Dimmer is not compatible with bulbs rated only for forward-phase type dimmers.
- Minimum Load: 1 compatible CFL / LED bulb or 5 W Incandescent / Halogen or 1 ELV transformer. ELV transformer must be loaded per the manufacturer's recommendation.

0-10 V_{DC} Dimmers for Electronic Ballasts or LED Drivers: Slide-to-Off

 Small Control	Description	Maximum Capacity*		Model Number	
	Single-pole 0-10 V _{DC} 120-277 V~	Load	0-10 V _{DC} Sink		NTSTV-DV-XX
		8 A	30 mA		


- Power pack not required for loads up to 8 A. May use Lutron power pack (model PP-DV or PP347H; see Lutron P/N 369544) for higher load current applications or for Class 2 installations.
 - Works with all ballasts and drivers that provide a current source compliant to IEC 60629 Annex E.2, and whose inrush current does not exceed NEMA410 standards for electronic ballast/driver loads of 8 A steady-state current. Refer to LED driver and ballast manufacturer's specification for 0-10 V_{DC} sink currents.
 - Control has a high and low end trim to adjust the 0-10 V_{DC} output for optimal dimming performance.
- * Limited by whichever rating is achieved first.

Florescent Dimmers for Tu-Wire Electronic Ballasts: Slide-to-Off

 Small Control	Description	Maximum Capacity	Model Number
	Single-pole 120 V~ 60 Hz	5 A	NTFTU-5A-XX
	Single-pole 277 V~ 60 Hz	5 A	NTFTU-5A-277-XX


- Use with Lutron Tu-Wire line voltage control electronic dimming ballasts only.
- To determine the number of ballasts that can be controlled by Nova T☆ florescent dimmer, divide the control capacity by the ballast current.
- Compatible with Advance® Mark X® and Sylvania Powersense® ballasts.

Florescent Dimmers for Advance® Mark X® VEZ series 277 V~ Ballasts: Preset

 Small Control	Description	Maximum Capacity	Model Number
	3-way 277 V~ 60 Hz	3 A	NTFTU-103P-277-XX-CPW0196

- For control of permanently installed Advance® Mark X® VEZ series 277 V~ ballasts only.
- Install on load side only.
- No derating required.
- To determine the number of ballasts that can be controlled by Nova T☆ florescent dimmer, divide the control capacity by the ballast current.

Linear-Slide Switches for General Purpose: All Sources and Motor Loads

 Small Control	Description	Maximum Capacity	Model Number
	Single-pole 120/277 V~ 60 Hz	20 A	NT-1PS-XX
	3-way 120/277 V~ 60 Hz	20 A	NT-3PS-XX
	4-way 120/277 V~ 60 Hz	20 A	NT-4PS-XX

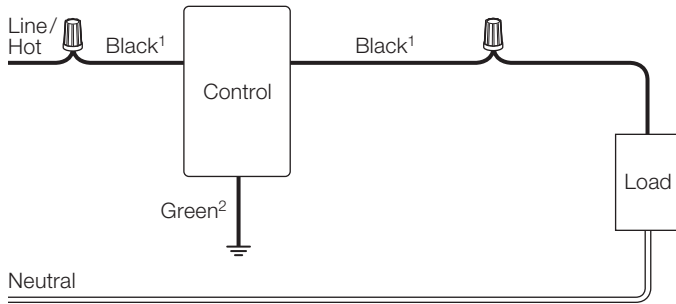
- No derating required.

(continued on next page...)

Job Name:	Model Numbers:
Job Number:	

Wiring Diagrams: Single Location

Single-Pole Control



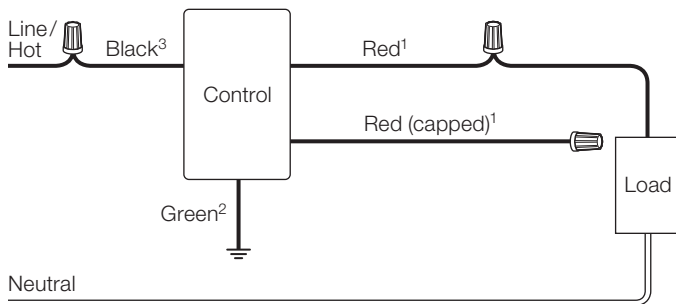
Models:

- NT-600-XX
- NT-1000-XX
- NT-1500-XX
- NT-2000-XX
- NTCL-250-XX
- NTLV-600-XX
- NTLV-1000-XX
- NTLV-1500-XX
- NT-1PS-XX
- NTFSQ-XX

Key

- Ground
- Wire connector
- ¹ Wire or brass/gold screw terminal*
- ² Wire or green screw terminal*
- ³ Wire or copper/black screw terminal*
- * Dimmers have wires; switches have screw terminals

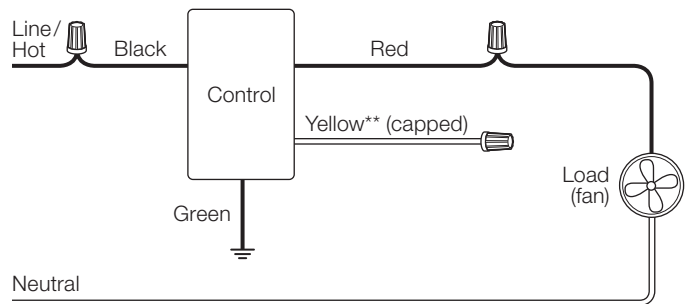
3-Way Control



Models:

- NT-603P-XX
- NT-1003P-XX
- NT-1503P-XX
- NTLV-603P-XX
- NTLV-1003P-XX
- NTLV-1503P-XX
- NT-3PS-XX

Fan Control

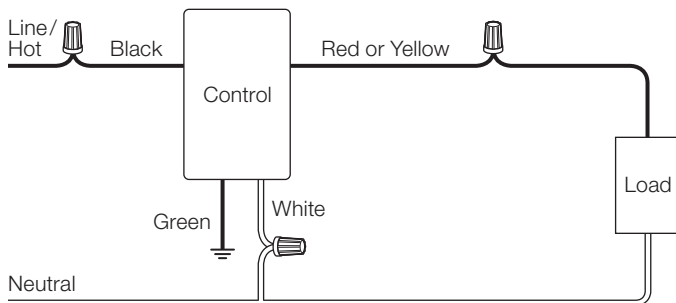


Models:

- NTFS-6E-XX
- NTFS-12E-XX

** Switched full-voltage only

Single-Pole Control with Neutral

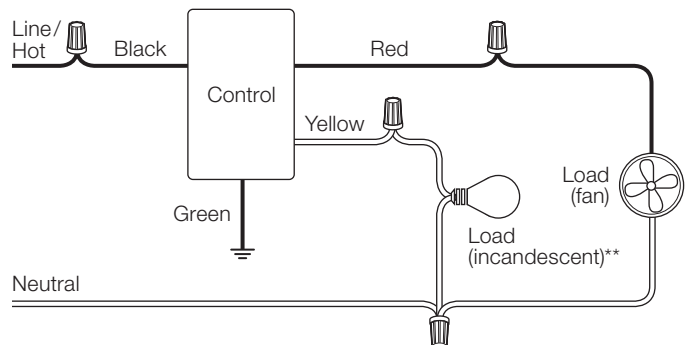


Models:

- NTELV-300-XX**
- NTELV-600-XX**
- NTLV-600-277-XX
- NTLV-1000-277-XX
- NTRP-250-XX

** Use NTELV- models with 120 V~ only

Fan/Light Control



Models:

- NTFS-6E-XX
- NTFS-12E-XX

** Switched full-voltage only

Job Name:	Model Numbers:
Job Number:	