



## Centralized Distribution for Wired & Wireless Low Voltage Systems

**30"**: ENP3050, ENP3060, ENP3060-5, ENP3080, ENP3080-5

**42"**: ENP4250, ENP4260, ENP4260-5, ENP4280, ENP4280-5

This enclosure secures both wired structured wiring systems and wireless networking equipment in a professional, out-of-sight installation.

Order as a complete assembly containing the enclosure and hinged door, a-la-carte, or in bulk to efficiently meet the requirements of your project

### Features & Benefits

- **Wireless Transparent Material** – UL-rated ABS plastic allows wireless devices such as access points to secure in the cabinet without degrading network performance.
- **Stackable** – Enclosures and doors are each neatly stackable to efficiently ship and warehouse.
- **Surface or Flush Mounting** – Mounts flush to the stud bay with staggered tabs that allow side-by-side installations of multiple enclosures.
- **UL Rated** – Meets or exceeds the standards of UL Standard 2416. Specified for non-fire rated walls.
- **Universal Mounting Grid** – Compatible with video, voice and data distribution modules from multiple manufacturers. Ask us for our up-to-date compatibility list.
- **No-hassle Hinged Door** – Easily assembles onto the enclosure without the need for tools or screws.
- **Extensive Venting** – Provides superior heat dispersion for powered devices mounted in the enclosure.
- **Extra Depth** – Protruded door adds 1.2" (30mm) of enclosure depth for compatibility with more third party devices such as uninterruptable power supplies (UPS).
- **Conceals Drywall Cutout** – Extended door circumference conceals the drywall cutout for a professional finish.
- **Layered Latch** – Holds the door shut and flush to the drywall without the need of a lock. Locking can be accommodated with the provided screw holes or, for the 30", padlock hole.



Enclosure includes two electrical knockouts on the bottom and five 2" (51mm) cable knockouts on top. 2" rubber grommets are available as an accessory item.

### Compliance

- UL 985, Household Fire-Warning System Units. ULC-S545, Residential Fire Warning System Control Units
- UL 1023, Household Burglar-Alarm System Units. CAN/ULC/ORD-C1023, Household Burglar Alarm System Units
- UL 2416, Audio/Video, Information and Communication Technology Equipment Cabinet, Enclosure and Rack Systems
- UL60950-1 & CAN/CSA C22.2 No. 60950-01-07, Information Technology Equipment, Including Electrical Business Equipment
- RoHS Compliant

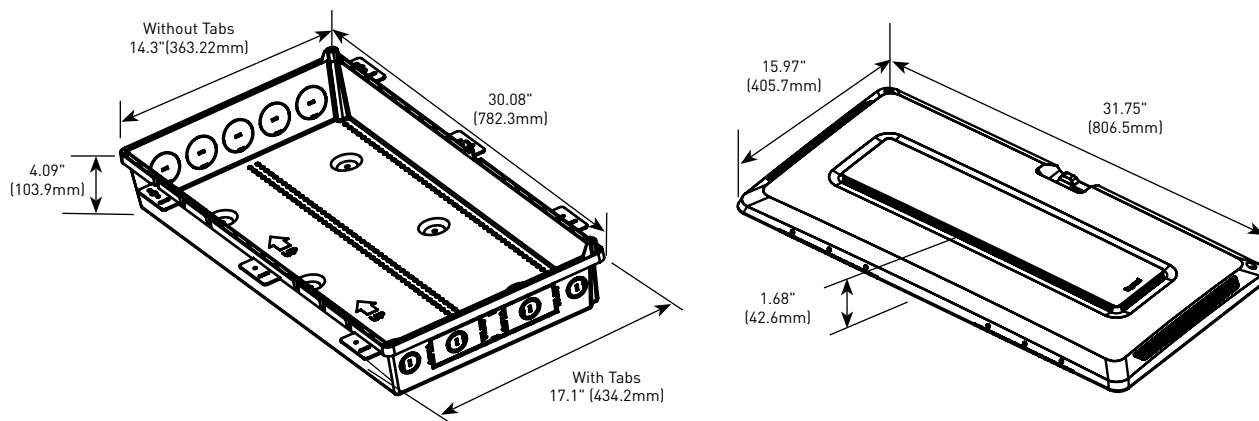
## Technical Information

### Specifications

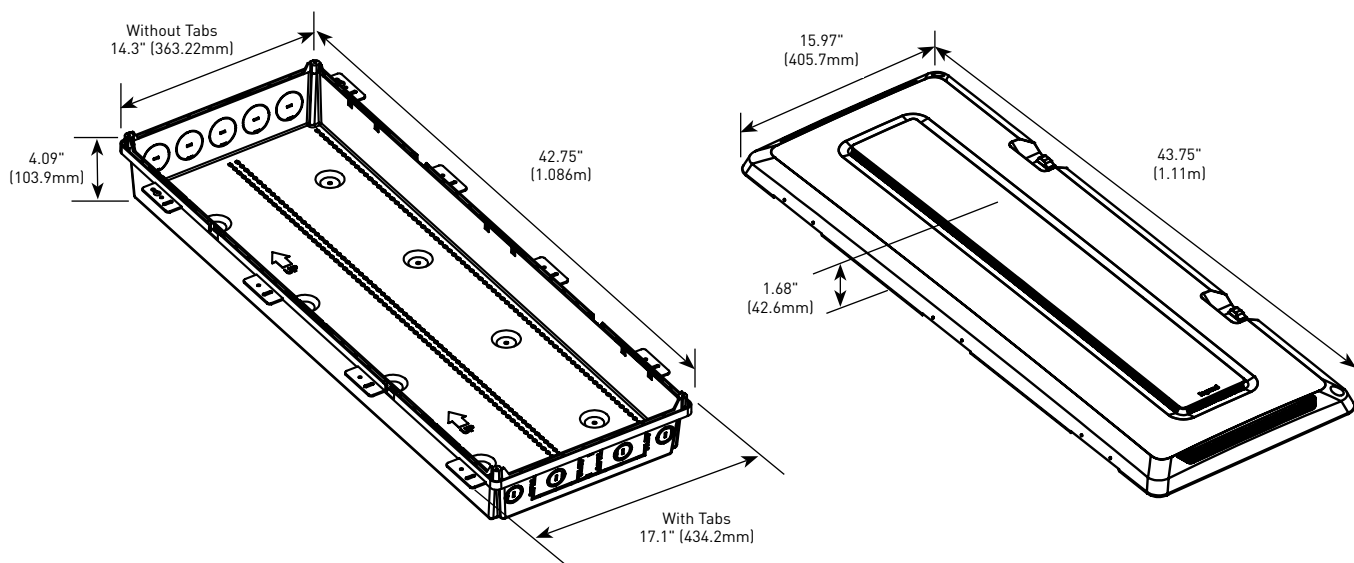
|                       | 30" Enclosure                              | 42" Enclosure                              |
|-----------------------|--|--|
| Material              | ABS Plastic                                | ABS Plastic                                |
| Color                 | White (Paintable*)                         | White (Paintable*)                         |
| Specified Temperature | 32°F - 122°F, 0°C - 50°C                   | 32°F - 122°F, 0°C - 50°C                   |
| Unit Weight           | 6.17 Lbs 2.8kg (ENP3050)                   | 8.64 Lbs 3.2kg (ENP4250)                   |
| Shipping Weight       | 8.7 Lbs 3.95kg (ENP3050)                   | 12.2 Lbs 5.5 kg (ENP4250)                  |
| Paintable*            | Rust-Oleum Paint for Plastic or equivalent | Rust-Oleum Paint for Plastic or equivalent |

## Dimensions

### 30" Enclosure

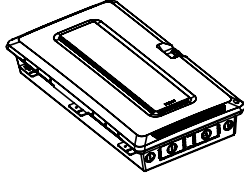


### 42" Enclosure



## Enclosures Ordering Information

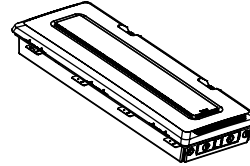
ENP3050



**30" Plastic Enclosure with Hinged Door**

A complete assembly for an installation.

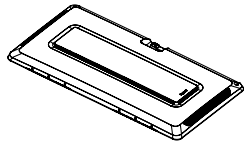
ENP4250



**42" Plastic Enclosure with Hinged Door**

A complete assembly for an installation.

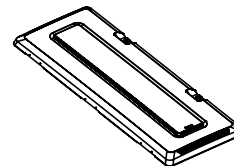
ENP3060



**30" Plastic Door, Only**

Separate rough-in and trim out phases by ordering enclosures and doors separately.

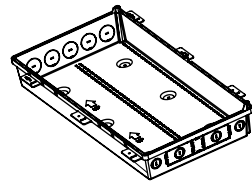
ENP4260



**42" Plastic Door, Only**

Separate rough-in and trim out phases by ordering enclosures and doors separately.

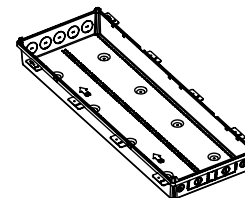
ENP3080



**30" Plastic Enclosure, Only**

Separate rough-in and trim out phases by ordering enclosures and doors separately.

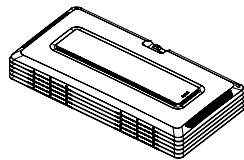
ENP4280



**42" Plastic Enclosure, Only**

Separate rough-in and trim out phases by ordering enclosures and doors separately.

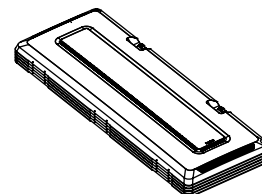
ENP3060-5



**30" Plastic Doors (Pack of 5)**

Neatly stacked doors, perfect for shipping to large projects.

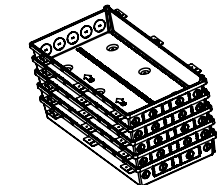
ENP4260-5



**42" Plastic Doors (Pack of 5)**

Neatly stacked doors, perfect for shipping to large projects.

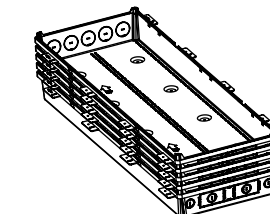
ENP3080-5



**30" Plastic Enclosures (Pack of 5)**

Neatly stacked enclosures, perfect for shipping to large projects.

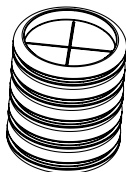
ENP4280-5



**42" Plastic Enclosures (Pack of 5)**

Neatly stacked enclosures, perfect for shipping to large projects.

AC1034



**2" Rubber Grommet for Plastic Enclosures (Pack of 5)**

Covers top-facing knockout holes and protects cables.