

EZSoffit Vent Versatile Soffit Termination System



EZSoffitVent™

EZSV14



- Patent pending soffit termination system ideal for new residential construction
- First-to-market, HVI-Certified soffit vent helps optimize airflow by letting you complete all ducting before soffit panel install
- High performance soffit vent improves overall fan performance and reduces call backs due to poor airflow
- Simple, one-stop installation helps reduce total installed costs (callbacks, labor and parts)
- Unique design eliminates water intrusion costs associated with roof and/or wall terminations
- EZ Soffit Vent body snap-fits easily into mounting bracket and can be rotated 180 degrees to align with ducting
- Low resistance backdraft damper eliminates cold drafts and improves blower door test results

ADDITIONAL BENEFITS

- Designed for ventilation fans up to 110 CFM, using 4" ductwork
- Mounting bracket can be located anywhere there's a vertical surface within the overhang
- Overall height is less than 6" and fits in a 4/12 pitch roof overhang (with 2x6 fascia board)
- Compact design fits in a narrow 12" soffit (10.5" fascia to building)
- Duct connection stub is 2.25" in length, allowing plenty of surface area for connection and sealing
- Flush mounted termination grille mounts with a single fastener (included)



Save Time and Money with Pre-Soffit Installation

Bathroom ventilation fans should deliver optimum air flow and meet customer expectations. EZ Soffit Vent™ is a versatile soffit termination system that enables you to overcome customer satisfaction call backs due to poor airflow and back drafting. A unique set of features lower total installed cost, while providing high performance results.

Current Problem:



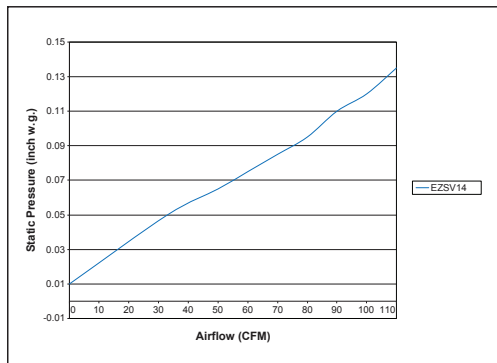
Poor airflow resulting in callbacks

EZ Solution:

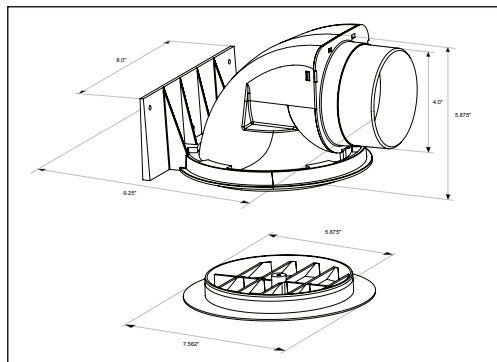


Optimized airflow means fewer callbacks

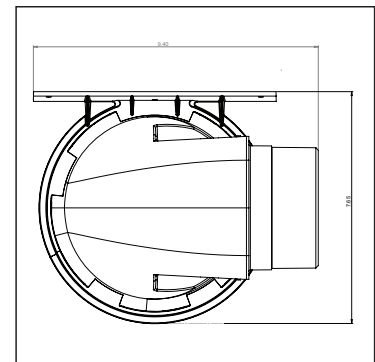
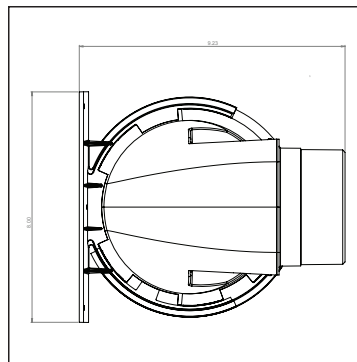
EZSV14



EZSV14



Specifications		EZSoffit Vent
		EZSV14
Specifications	Duct Diameter	4"
	HVI Certified	Yes
	Mfg in ISO 9001 Certified Facility	Yes
	Internal Backdrap Damper	Yes
	MFG in USA	Yes
Installation	Grille Size	7.56
	Product Length	9.38
	Product Height	6.00
	Product Width	8.00
	Grille Rotation	360°
	Pre-soffit Install	Yes
	Duct Adapter Mount Area	Side
Duct Adapter Rotation	180°	
Shipping	Gross Weight (lbs)	1.3



Panasonic Eco Solutions of North America
 Eco Products Division
 Two Riverfront Plaza
 Newark, NJ 07102
us.panasonic.com/ventfans

For Order Information
 PHONE: 866-292-7299
 FAX: 888-553-0723
ventfans@us.panasonic.com