

Version	Type	Version	Type
BSP stud	RT12	Single banjo elbow	RT37
Union	RT25	Equal elbow	RT14
BSP stem adapter	RT13	BSPT swivel tee	RT21
Reducer	RT26	BSP swivel tee	RT22
Stem increaser	RT27	BSPT swivel side tee	RT23
Stem	RT32	BSP swivel side tee	RT24
Plug	RT33	Equal tee	RT15
BSPT swivel elbow	RT16	Y piece	RT29
Extended BSPT swivel elbow	RT17	Stem Y	RT30
BSP swivel elbow	RT18	BSP swivel Y	RT31
Extended BSP swivel elbow	RT19	Single hollow bolt	RT31
BSP swivel elbow hex wrench	RT20	Single banjo	RT28
		Stem cartridge	RT34



Series of push-in fittings with reduced dimensions and new collet and release collar.  
They are for connecting nylon and polyurethane tubes.  
Available in various configurations (studs, elbows, T, Y) and with threads Gas pre-tefloned taper (BSPT) and Gas parallel (BSP) with sealing o-ring.  
The stud threaded versions are standard with external and internal hexagonal key (for mounting in narrow places).

\*How to order: RT120618V

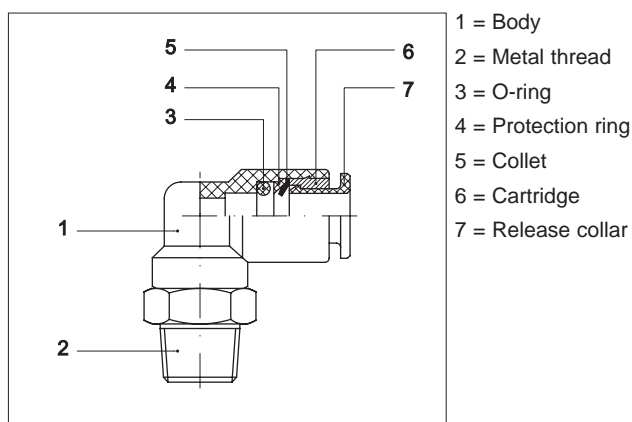
RT12	06	18	V
Type	Tube Ø code	Tube or thread code	Option

\* For standard items, codes and dimensions see tables from page 4.5.2

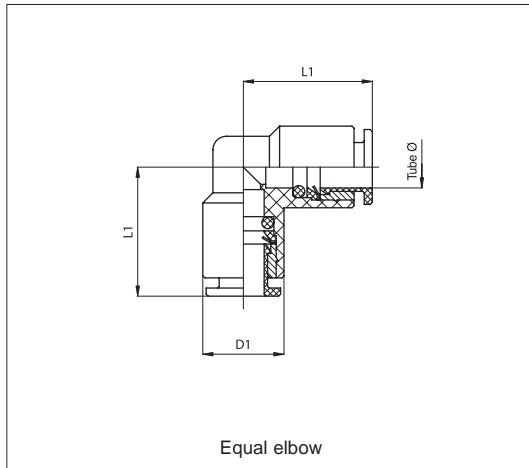
External tube (mm)	3	4	5	6	8	10
Code	03	04	05	06	08	10

Threads	M5	1/8"	1/4"	3/8"
Code	M5	18	14	38

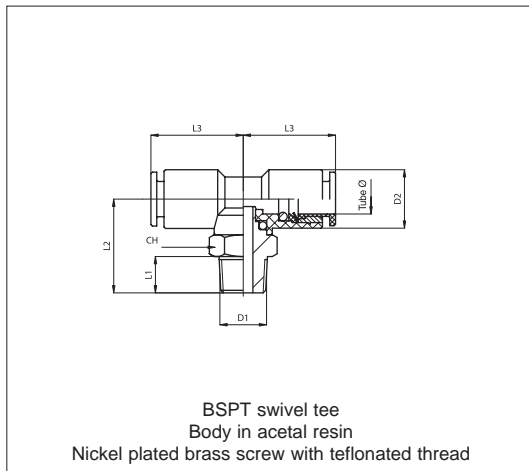
Options	Suffix
Seals FKM max 150 °C	V
Special versions on request	/ S



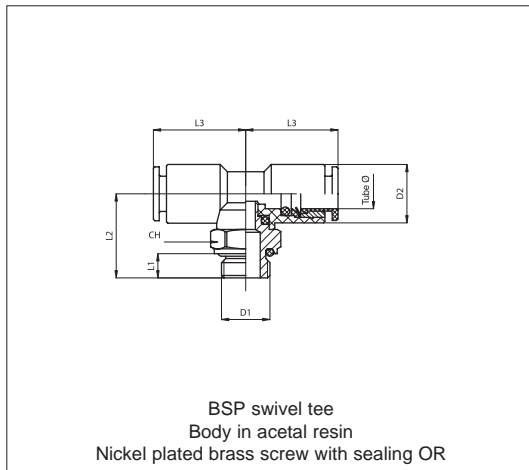
Technical data	
Fluid	Compressed air
Pressure range	0,5 ÷ 12 bar (vacuum resistance: 750 mm. Hg)
Temperature range	-20 °C ÷ + 70°C
Parallel threads	UNI - ISO 228 / 1 (BSP)
Taper threads	UNI - ISO 7 / 1 (BSPT)
Metric threads	ISO R / 262
Connection tubes	Calibrated nylon, polyurethane and rilsan
Tube tolerances	± 0,05 mm
Materials	Body and release collar: Acetal resin (DELRIN) Metal thread: Nickel plated brass Collet: Stainless steel Seals: Nitrile rubber (NBR)



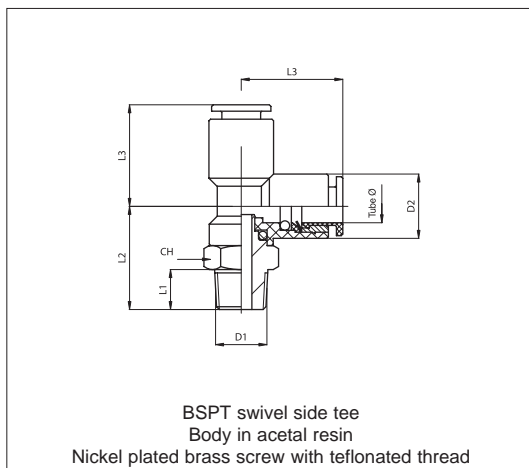
Code	Item	Tube Ø	D <sub>1</sub>	L <sub>1</sub>	Weight (g.)
029141	RT 14 04 04	4	9,7	15	3
029142	RT 14 06 06	6	12	19	6
029143	RT 14 08 08	8	14	20,5	7
029144	RT 14 10 10	10	16	23,5	9



Code	Item	Tube Ø	D <sub>1</sub>	D <sub>2</sub>	L <sub>1</sub>	L <sub>2</sub>	L <sub>3</sub>	CH	Weight (g.)
029261	RT 21 04 18	4	1/8"	9,7	7,5	17	15	10	9
029262	RT 21 04 14	4	1/4"	9,7	11	20,5	15	14	14
029263	RT 21 06 18	6	1/8"	12	7,5	18,5	19	12	12
029264	RT 21 06 14	6	1/4"	12	11	22,5	19	14	17
029265	RT 21 08 18	8	1/8"	14	7,5	20	20,5	14	16
029266	RT 21 08 14	8	1/4"	14	11	23,5	20,5	14	18
029267	RT 21 08 38	8	3/8"	14	11,5	24,5	20,5	17	25
029268	RT 21 10 14	10	1/4"	16,5	11	25,5	23,5	16	24
029269	RT 21 10 38	10	3/8"	16,5	11,5	26,5	23,5	17	26



Code	Item	Tube Ø	D <sub>1</sub>	D <sub>2</sub>	L <sub>1</sub>	L <sub>2</sub>	L <sub>3</sub>	CH	Weight (g.)
029281	RT 22 04 M5	4	M5	9,7	4	15	15	9	7
029282	RT 22 04 18	4	1/8"	9,7	5	15	15	13	10
029283	RT 22 04 14	4	1/4"	9,7	6,5	17	15	16	14
029284	RT 22 06 M5	6	M5	12	4	15	19	12	11
029285	RT 22 06 18	6	1/8"	12	5	16,5	19	13	12
029286	RT 22 06 14	6	1/4"	12	6,5	18,5	19	16	16
029287	RT 22 08 18	8	1/8"	14	5	17,5	20,5	14	14
029288	RT 22 08 14	8	1/4"	14	6,5	19,5	20,5	16	18
029289	RT 22 08 38	8	3/8"	14	7	21,5	20,5	20	26
029290	RT 22 10 14	10	1/4"	16,5	6,5	21,5	23,5	16	20
029291	RT 22 10 38	10	3/8"	16,5	7	23,5	23,5	20	28



Code	Item	Tube Ø	D <sub>1</sub>	D <sub>2</sub>	L <sub>1</sub>	L <sub>2</sub>	L <sub>3</sub>	CH	Weight (g.)
029301	RT 23 04 18	4	1/8"	9,7	7,5	17	15	10	9
029302	RT 23 04 14	4	1/4"	9,7	11	20,5	15	14	14
029303	RT 23 06 18	6	1/8"	12	7,5	18,5	19	12	12
029304	RT 23 06 14	6	1/4"	12	11	22,5	19	14	17
029305	RT 23 08 18	8	1/8"	14	7,5	20	20,5	14	16
029306	RT 23 08 14	8	1/4"	14	11	23,5	20,5	14	22
029307	RT 23 08 38	8	3/8"	14	11,5	24,5	20,5	17	25
029308	RT 23 10 14	10	1/4"	16,5	11	25,5	23,5	16	23
029309	RT 23 10 38	10	3/8"	16,5	11,5	26,5	23,5	17	26