

| Version | Type | Version | Type |
|-----------------------------|------|----------------------|------|
| BSP stud | RT12 | Single banjo elbow | RT37 |
| Union | RT25 | Equal elbow | RT14 |
| BSP stem adapter | RT13 | BSPT swivel tee | RT21 |
| Reducer | RT26 | BSP swivel tee | RT22 |
| Stem increaser | RT27 | BSPT swivel side tee | RT23 |
| Stem | RT32 | BSP swivel side tee | RT24 |
| Plug | RT33 | Equal tee | RT15 |
| BSPT swivel elbow | RT16 | Y piece | RT29 |
| Extended BSPT swivel elbow | RT17 | Stem Y | RT30 |
| BSP swivel elbow | RT18 | BSP swivel Y | RT31 |
| Extended BSP swivel elbow | RT19 | Single hollow bolt | RT31 |
| BSP swivel elbow hex wrench | RT20 | Single banjo | RT28 |
| | | Stem cartridge | RT34 |



Series of push-in fittings with reduced dimensions and new collet and release collar.
They are for connecting nylon and polyurethane tubes.
Available in various configurations (studs, elbows, T, Y) and with threads Gas pre-tefloned taper (BSPT) and Gas parallel (BSP) with sealing o-ring.
The stud threaded versions are standard with external and internal hexagonal key (for mounting in narrow places).

*How to order: RT120618V

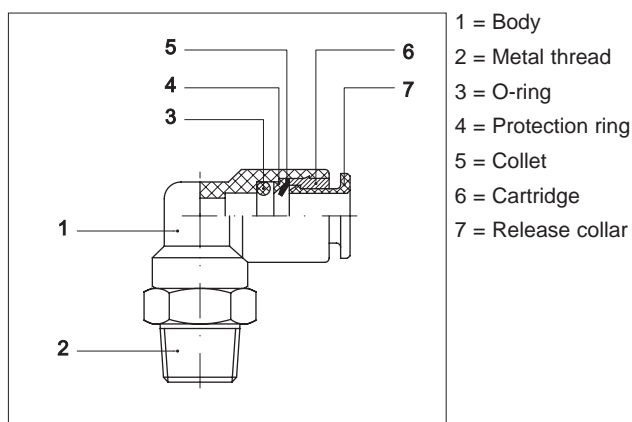
| RT12 | 06 | 18 | V |
|------|-------------|---------------------|--------|
| Type | Tube Ø code | Tube or thread code | Option |

* For standard items, codes and dimensions see tables from page 4.5.2

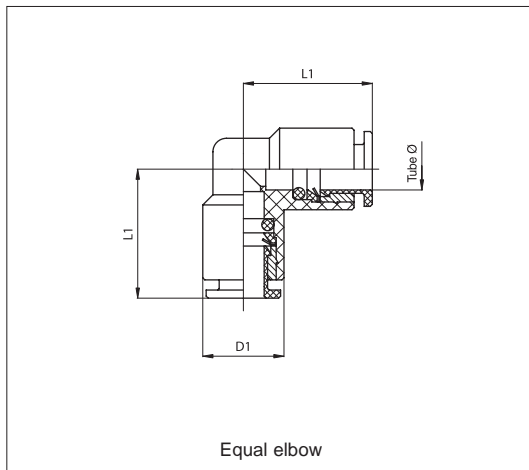
| External tube (mm) | 3 | 4 | 5 | 6 | 8 | 10 |
|--------------------|----|----|----|----|----|----|
| Code | 03 | 04 | 05 | 06 | 08 | 10 |

| Threads | M5 | 1/8" | 1/4" | 3/8" |
|---------|----|------|------|------|
| Code | M5 | 18 | 14 | 38 |

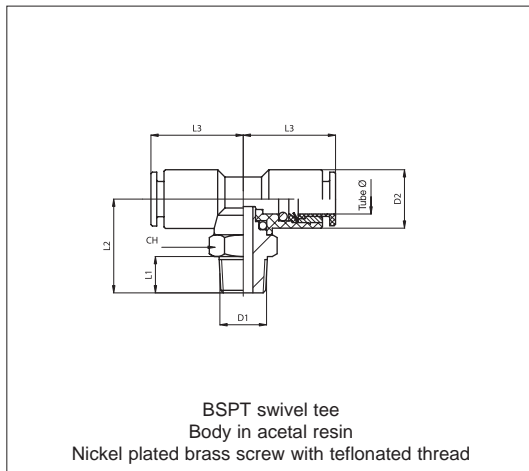
| Options | Suffix |
|-----------------------------|--------|
| Seals FKM max 150 °C | V |
| Special versions on request | / S |



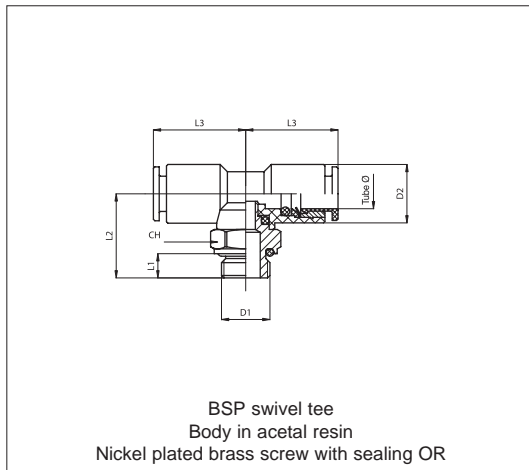
| Technical data | |
|-------------------|---|
| Fluid | Compressed air |
| Pressure range | 0,5 ÷ 12 bar (vacuum resistance: 750 mm. Hg) |
| Temperature range | -20 °C ÷ + 70°C |
| Parallel threads | UNI - ISO 228 / 1 (BSP) |
| Taper threads | UNI - ISO 7 / 1 (BSPT) |
| Metric threads | ISO R / 262 |
| Connection tubes | Calibrated nylon, polyurethane and rilsan |
| Tube tolerances | ± 0,05 mm |
| Materials | Body and release collar: Acetal resin (DELRIN) Metal thread: Nickel plated brass Collet: Stainless steel Seals: Nitrile rubber (NBR) |



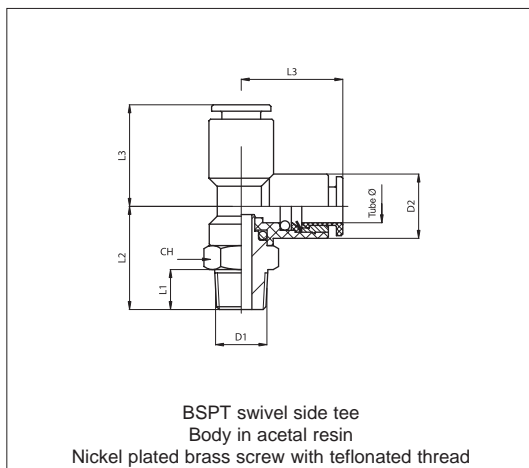
| Code | Item | Tube Ø | D ₁ | L ₁ | Weight (g.) |
|--------|-------------|--------|----------------|----------------|-------------|
| 029141 | RT 14 04 04 | 4 | 9,7 | 15 | 3 |
| 029142 | RT 14 06 06 | 6 | 12 | 19 | 6 |
| 029143 | RT 14 08 08 | 8 | 14 | 20,5 | 7 |
| 029144 | RT 14 10 10 | 10 | 16 | 23,5 | 9 |



| Code | Item | Tube Ø | D ₁ | D ₂ | L ₁ | L ₂ | L ₃ | CH | Weight (g.) |
|--------|-------------|--------|----------------|----------------|----------------|----------------|----------------|----|-------------|
| 029261 | RT 21 04 18 | 4 | 1/8" | 9,7 | 7,5 | 17 | 15 | 10 | 9 |
| 029262 | RT 21 04 14 | 4 | 1/4" | 9,7 | 11 | 20,5 | 15 | 14 | 14 |
| 029263 | RT 21 06 18 | 6 | 1/8" | 12 | 7,5 | 18,5 | 19 | 12 | 12 |
| 029264 | RT 21 06 14 | 6 | 1/4" | 12 | 11 | 22,5 | 19 | 14 | 17 |
| 029265 | RT 21 08 18 | 8 | 1/8" | 14 | 7,5 | 20 | 20,5 | 14 | 16 |
| 029266 | RT 21 08 14 | 8 | 1/4" | 14 | 11 | 23,5 | 20,5 | 14 | 18 |
| 029267 | RT 21 08 38 | 8 | 3/8" | 14 | 11,5 | 24,5 | 20,5 | 17 | 25 |
| 029268 | RT 21 10 14 | 10 | 1/4" | 16,5 | 11 | 25,5 | 23,5 | 16 | 24 |
| 029269 | RT 21 10 38 | 10 | 3/8" | 16,5 | 11,5 | 26,5 | 23,5 | 17 | 26 |



| Code | Item | Tube Ø | D ₁ | D ₂ | L ₁ | L ₂ | L ₃ | CH | Weight (g.) |
|--------|-------------|--------|----------------|----------------|----------------|----------------|----------------|----|-------------|
| 029281 | RT 22 04 M5 | 4 | M5 | 9,7 | 4 | 15 | 15 | 9 | 7 |
| 029282 | RT 22 04 18 | 4 | 1/8" | 9,7 | 5 | 15 | 15 | 13 | 10 |
| 029283 | RT 22 04 14 | 4 | 1/4" | 9,7 | 6,5 | 17 | 15 | 16 | 14 |
| 029284 | RT 22 06 M5 | 6 | M5 | 12 | 4 | 15 | 19 | 12 | 11 |
| 029285 | RT 22 06 18 | 6 | 1/8" | 12 | 5 | 16,5 | 19 | 13 | 12 |
| 029286 | RT 22 06 14 | 6 | 1/4" | 12 | 6,5 | 18,5 | 19 | 16 | 16 |
| 029287 | RT 22 08 18 | 8 | 1/8" | 14 | 5 | 17,5 | 20,5 | 14 | 14 |
| 029288 | RT 22 08 14 | 8 | 1/4" | 14 | 6,5 | 19,5 | 20,5 | 16 | 18 |
| 029289 | RT 22 08 38 | 8 | 3/8" | 14 | 7 | 21,5 | 20,5 | 20 | 26 |
| 029290 | RT 22 10 14 | 10 | 1/4" | 16,5 | 6,5 | 21,5 | 23,5 | 16 | 20 |
| 029291 | RT 22 10 38 | 10 | 3/8" | 16,5 | 7 | 23,5 | 23,5 | 20 | 28 |



| Code | Item | Tube Ø | D ₁ | D ₂ | L ₁ | L ₂ | L ₃ | CH | Weight (g.) |
|--------|-------------|--------|----------------|----------------|----------------|----------------|----------------|----|-------------|
| 029301 | RT 23 04 18 | 4 | 1/8" | 9,7 | 7,5 | 17 | 15 | 10 | 9 |
| 029302 | RT 23 04 14 | 4 | 1/4" | 9,7 | 11 | 20,5 | 15 | 14 | 14 |
| 029303 | RT 23 06 18 | 6 | 1/8" | 12 | 7,5 | 18,5 | 19 | 12 | 12 |
| 029304 | RT 23 06 14 | 6 | 1/4" | 12 | 11 | 22,5 | 19 | 14 | 17 |
| 029305 | RT 23 08 18 | 8 | 1/8" | 14 | 7,5 | 20 | 20,5 | 14 | 16 |
| 029306 | RT 23 08 14 | 8 | 1/4" | 14 | 11 | 23,5 | 20,5 | 14 | 22 |
| 029307 | RT 23 08 38 | 8 | 3/8" | 14 | 11,5 | 24,5 | 20,5 | 17 | 25 |
| 029308 | RT 23 10 14 | 10 | 1/4" | 16,5 | 11 | 25,5 | 23,5 | 16 | 23 |
| 029309 | RT 23 10 38 | 10 | 3/8" | 16,5 | 11,5 | 26,5 | 23,5 | 17 | 26 |