

# L1RPH-L

## ROUND LED WHITE HIGH BAY LUMINAIRE

Our new series of LED High Bays are an energy efficient solution and maintain a traditional size and shape. This type of luminaire is ideal for use in applications such as warehouses, manufacturing, sports arenas, and other large high ceiling indoor applications. This high bay is ideal for large vertical spaces such as big box retail operations that require higher lumen output solutions with a more refined design than traditional industrial looking high bays. The IP65 rating allows this fixture to be installed where dust and water spray may be present.

### APPLICATIONS:

- Industrial, commercial, residential, dusty, wet or damp environments
- Big box retail
- Warehouses
- Manufacturing
- Sports facilities
- Aerospace
- Auto dealers
- Convention Centers

### FEATURES AND SPECIFICATIONS

#### • Construction

##### Housing

- Pure aluminum proprietary heat sink provides optimal thermal management, decreasing LED junction temperature and ensuring long life. The raw material is 1070 purity aluminum and the thermal conductivity index reaches up to 226W/mK.
- Cold forging technology ensures no change in the structure of raw material. The heat dissipation is 3 times faster than die-casting

- Electrophoresis surface treatment method is used for optimal heat dissipation and surface endurance
- Quality LED PCB with superior heat conductivity (7W/mK) and high reflectance rate
- 6 ft cabtire standard

##### Lens

Frosted polycarbonate lens over LEDs provides a diffused distribution of light and minimizes glare

#### • Specifications

##### Driver

- 120-277V and 347V available
- 0-10V dimming standard

##### Ambient temperature

-40°C to +50°C.

##### Mounting

Stainless steel hook mount standard.

#### • Compliances

- Meets requirements of ICES-005 issue 4 for class A products
- Wet location
- ICES 005
- DLC standard for indoor luminaires, for primary use in direct high bay ambient general application
- cULus Certified

### AVAILABLE REFLECTORS



with REF827-60



with REF827-90



with REF828



with REF828-FR

Project: \_\_\_\_\_  
 Type: \_\_\_\_\_  
 Catalogue #: \_\_\_\_\_  
 Drawn by: \_\_\_\_\_  
 Date: \_\_\_\_\_



120-277V



347V



ICES 005



Not all products are qualified on the DLC QPL. To view our DLC qualified products, please consult the DLC Qualified Products List at [www.designlights.org/search](http://www.designlights.org/search).

### OVERVIEW

Light source	LED
Wattage	103W - 204W
Lumens	12,945lm - 25,345lm
lm/W	122lm/W - 130lm/W
Colour temperature	4000K, 5000K
CRI	80 +
Weight	12 lbs

**QUICK SHIP ORDERING GUIDE** ⌚\*

Part number	Wattage	Lumens	Voltage	Colour temperature	lm/W	PF	CRI	THD
L1RPH-LS1-W/40K	103W	12945	120-277V	4000K	126	0.995	80+	8.54
L1RPH-LS2-W/40K	154W	19727	120-277V	4000K	128	0.994	80+	8.25
L1RPH-LS3-W/40K	204W	24937	120-277V	4000K	122	0.992	80+	6.65
L1RPH-LS1-W/50K	103W	13157	120-277V	5000K	128	0.995	80+	8.54
L1RPH-LS2-W/50K	154W	20050	120-277V	5000K	130	0.994	80+	8.25
L1RPH-LS3-W/50K	204W	25345	120-277V	5000K	124	0.992	80+	6.65
L1RPH-LS1-H/40K	103W	12945	347V	4000K	126	0.995	80+	8.54
L1RPH-LS2-H/40K	154W	19727	347V	4000K	128	0.994	80+	8.25
L1RPH-LS3-H/40K	204W	24937	347V	4000K	122	0.992	80+	6.65
L1RPH-LS1-H/50K	103W	13157	347V	5000K	128	0.995	80+	8.54
L1RPH-LS2-H/50K	154W	20050	347V	5000K	130	0.994	80+	8.25
L1RPH-LS3-H/50K	204W	25345	347V	5000K	124	0.992	80+	6.65

\* **QUICK SHIP:** Product availability is subject to change without notice. Please contact your Stanpro customer service representative to confirm inventory levels at time of order.

**TM21 TABLE – L1RPH-LS3-H/40K**

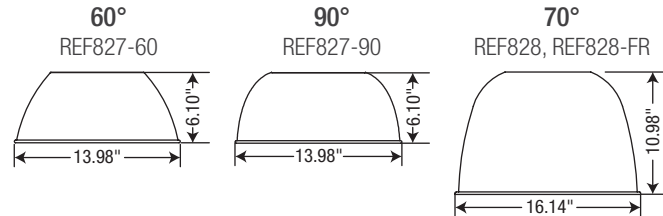
Time (t) at which to estimate lumen maintenance (hours)	50,000
Lumen maintenance at time (t) (%)	89.17%
Calculated L70 (hours)	164,000
Reported L70 (hours)	>60,000

**TM21 TABLE – L1RPH-LS3-W/40K**

Time (t) at which to estimate lumen maintenance (hours)	50,000
Lumen maintenance at time (t) (%)	89.43%
Calculated L70 (hours)	169,000
Reported L70 (hours)	>60,000

**ACCESSORIES (order separately)**

REF827-60**	Aluminum reflector 60° round
REF827-90**	Aluminum reflector 90° round
REF828**	Clear polycarbonate reflector 70° round
REF828-FR**	Frosted polycarbonate reflector 70° round
WGD064-60	Wireguard for aluminum REF827-60
WGD064-90	Wireguard for aluminum REF827-90
WGD065	Wireguard for polycarbonate reflectors (REF828 and REF828-FR)

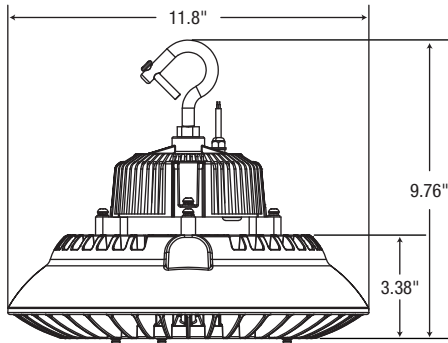


\*\* Reflector options are not currently qualified for DLC rebates.

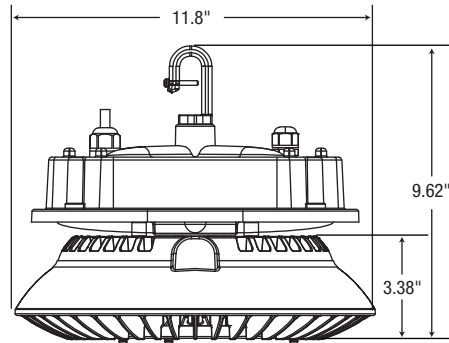
**Comments**

**DIMENSIONS**

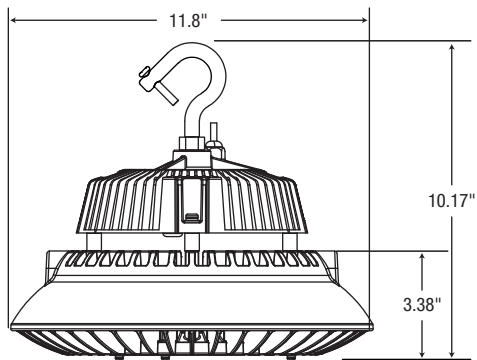
S1 & S2 – 120-277V



S1 & S2 – 347V



S3 – 120-277V



S3 – 347V

