

Catalog Number
Notes
Type

FEATURES & SPECIFICATIONS

INTENDED USE — The OneUp™ recessed direct-wire LED downlight includes integrated junction box, trim, pre-installed non-metallic bushings and 3-port push wire quick connectors in one package. The OneUp is the most economical means to create a well lit environment with exceptional energy efficiency and near zero maintenance.

CONSTRUCTION — Aluminum die cast, adjustable gimbal trim. Integrated galvanized steel junction box with captive door for easy access. Suitable for daisy chaining (pulling wires). Available in 3000K color temperature LEDs.

OPTICS — Round adjustable gimbal with 180 degrees of rotation and 35 degrees of adjustable tilt in both directions. Diffused lens provides even light distribution for general illumination, equivalent to 65W incandescent flood lamp. Wide flood beam angle at >90°. CRI >90. Maintains at least 70% light output for 50,000 hours.

INSTALLATION — Tool-less installation. Secure trim retention with two side-mounted spring clips for easy installation in plaster, sheet rock, or plywood ceilings. The integrated junction box - with pre-installed non-metallic bushing - allows non-metallic cable to be fed through without the hassle of knockouts. The captive junction box door provides easy access to pre-installed 3-port push wire quick connectors for straight-forward wiring. Rated for Type IC installations. Maximum of 4 No. 12AWG through branch circuit conductor suitable for 90°C permitted in box. Ground wire provided.

ELECTRICAL SYSTEM — LED module with high-efficiency on board driver. Dimming down to 10%. For compatible dimmers, refer to: Compatible dimmers chart.

Actual wattage may differ by +/-5% when operating at 120V +/-10%.

LISTINGS — ETL certified to US and Canadian safety standards. Can be used to comply with California Title 24 Part6 High Efficacy LED Light Source Requirements. ENERGY STAR® certified. Damp location listed.

WARRANTY — 5-year limited warranty. Complete warranty terms located at: www.acuitybrands.com/CustomerResources/Terms_and_conditions.aspx

Note: Actual performance may differ as a result of end-user environment and application. All values are design or typical values, measured under laboratory conditions at 25 °C. Specifications subject to change without notice.

Direct-Wire LED Recessed Downlight

4JBK ADJ

IC
Remodel



Brushed nickel

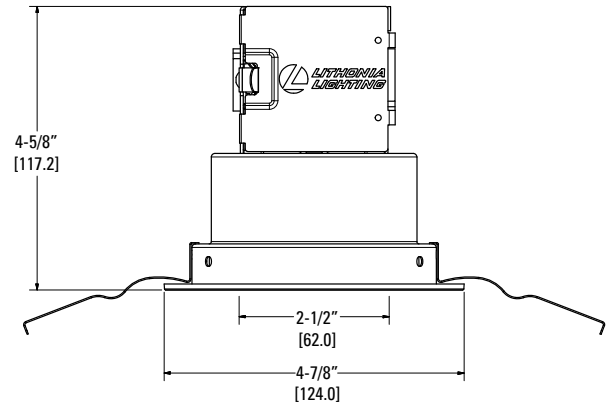


Oil-rubbed bronze

Specifications

Aperture:	2-1/2" (62.0)
Overlap Trim:	4-7/8" (124.0)
Height:	4-5/8" (117.2)
Ceiling Opening:	4-5/8" (117)
Min Ceiling Thickness:	1/2" (12.7)
Max Ceiling Thickness:	1-1/2" (38.1)

All dimensions are inches (millimeters).



ORDERING INFORMATION

For shortest lead times, configure product using **standard options (shown in bold)**.

Example: 4JBK ADJ 30K 90CRI MW

Series	Shape	CCT/Watts/Lumens ¹	CRI	Finish
4JBK	ADJ Round Adjustable	30K 3000K/8.2W/620L	90CRI 90 CRI	MW Matte White BN Brushed Nickel ORB Oil Rubbed Bronze

Notes

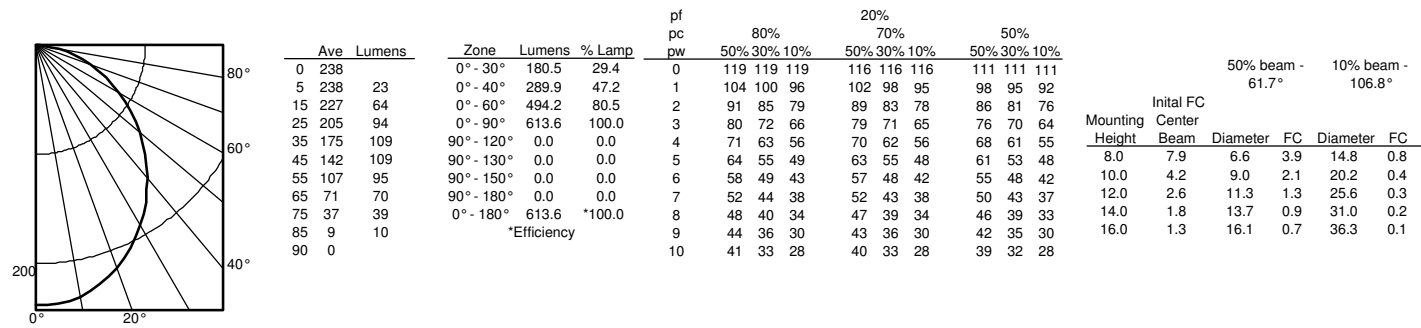
1 Total System Delivered Lumens.

4JBK ADJ OneUP™ Direct Wire LED

PHOTOMETRICS

Distribution Curve	Distribution Data	Output Data	Coefficient of Utilization	Illuminance Data at 30" Above Floor for a Single Luminaire
--------------------	-------------------	-------------	----------------------------	--

4JBK ADJ 30K, 3000 K LEDs, input watts: 8.12, delivered lumens: 614.2, LM/W=75.6, test no. ISF 35023



ENERGY DATA

4" ENERGY DATA - 3000K	
Lumens	620
Color temperature	3000K
CRI	90
Lumens/Watt	75.61
Min. starting temperature	-18° C (0° F)
EMI/RFI	FCC Title 47 CFR, Part 15, Class B
Sound rating	Class A standards
Input voltage	120V AC
Total Harmonic Distortion	5.56
Min. power factor	0.9
Input frequency	50/60 Hz
Rated wattage	8.2W
Input power	8.2W
Input current	0.07A

DIMMER COMPATIBILITY

COMPATIBLE DIMMERS				
Lutron	Leviton	Pass & Seymour	Synergy/Leviton	Sensorswitch
DV-603P-LA	6633-PA	HCL453PTCCCV6	ISD 600 I 120 / IPI06	nSP5 PCD 2W
CT-603PR-WH	6615-P	LS 603 PWV	ISD 1000 I 120 / IPI10	nSP5 PCD ELV 120
DVELV-300P			ISD 400 ELV 120 / IPE04	
300P SELV				
DV-600P				
NTELV-300P				
NLV-600				
Caseta PD-6WCL dimmer (requires Lutron Smart Bridge L-BDG2-WH which is sold separately from the dimmer)				

LIGHTING FACTS

Lighting facts
A Program of the U.S. DOE

Light Output (Lumens) 620
Watts 8.2
Lumens per Watt (Efficacy) 75.61

Color Accuracy
Color Rendering Index (CRI) 90

Light Color
Correlated Color Temperature (CCT) 3000 (Bright White)

Warm White | Bright White | Daylight
2700K | 3000K | 4500K | 6500K

All results are according to IESNA LM-79-2008: Approved Method for the Electrical and Photometric Testing of Solid-State Lighting. The U.S. Department of Energy (DOE) verifies product test data and results.

Visit www.lightingfacts.com for the Label Reference Guide.

Registration Number: NJSM-NAUV8Y (7/20/2017)
Model Number: 4JBK ADJ 30K 90CRI
Type: Luminaire - Downlight