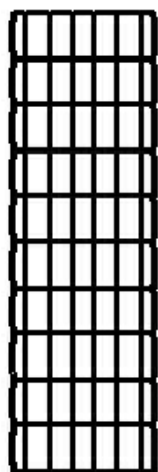


CF 30 CABLOFIL CABLE TRAY

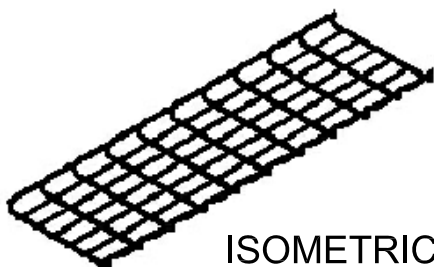
CABLOFIL®

INNOVATORS IN CABLE MANAGEMENT

8319 State Route 4
 Mascoutah IL 62258
 Phone: 800-658-4641
 618-566-3230
 Fax: 618-566-3250
www.cablofil.com



TOP



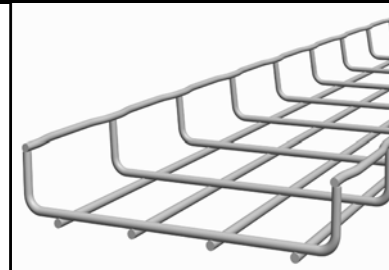
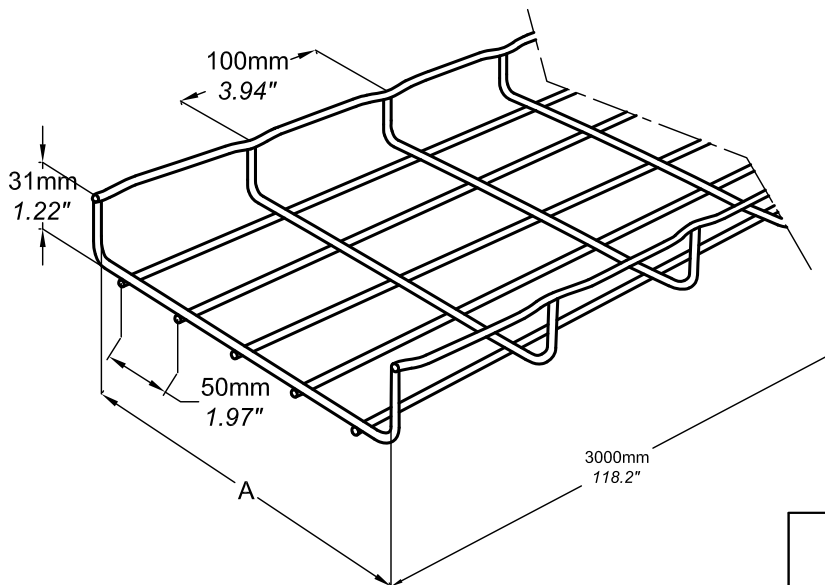
ISOMETRIC



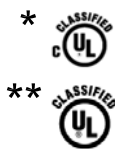
FRONT



SIDE



	A		Weight
	in	mm	lb
ZF 30/50*	2	50	3.3
CF 30/100*	4	100	4.5
CF 30/150*	6	150	5.7
CF 30/200*	8	200	7.4
CF 30/300**	12	300	9.4



	Material	Finish
EZ	Carbon Steel ASTM A510 Grade 1008	Electroplated Zinc, ASTM B633
GC	Carbon Steel ASTM A510 Grade 1008	Hot-Dip Galvanized ASTM A123
BL	Carbon Steel ASTM A510 Grade 1008	Black Painted ASTM D 3451
PE	Carbon Steel ASTM A510 Grade 1008	Custom Painted ASTM D 3451
304L	AISI TYPE 304L	Passivated ASTM A 380
316L	AISI TYPE 316L	Passivated ASTM A 380