

ACTUATOR-/INDICATOR COMPONENT WITH INTEGRATED LED
110V AC LAMP HOLDER SCREW TERMINAL BLUE



Figure similar

Product designation	lampholder
Contact block/ lampholder:	
Mounting type	integrated
Number of lampholders	1
General technical data:	
Product function	
• positive opening	No
Product component	
• diode	Yes
• lamp transformer	No
• Light source	Yes
• series resistor	No
Insulation voltage	
• Rated value	250 V
Degree of pollution	class 3
Surge voltage resistance Rated value	4 kV
Protection class IP	
• of the enclosure	IP40
• of the terminal	IP20
Equipment marking	
• acc. to DIN 40719 extended according to IEC 204-2 acc. to IEC 750	H
• acc. to DIN EN 61346-2	P
• acc. to DIN EN 81346-2	P
Operating voltage 1	

• with AC	
— at 50 Hz Rated value	110 V
— at 60 Hz Rated value	110 V

Supply voltage:

Type of voltage of the supply voltage	
• of the light source	AC
Supply voltage 1 of the light source with AC	
• at 50 Hz Rated value	110 V
• at 60 Hz Rated value	110 V

Auxiliary circuit:

Number of NC contacts	
• for auxiliary contacts	0
Number of NO contacts	
• for auxiliary contacts	0
Number of CO contacts	
• for auxiliary contacts	0

Connections/ Terminals:

Type of electrical connection	screw-type terminals
Type of connectable conductor cross-section	
• for auxiliary contacts	
— solid	2x (1.0 ... 1.5 mm ²)
— solid with core end processing	2x (0.5 ... 0.75 mm ²)
— finely stranded with core end processing	2x (0.5 ... 1.5 mm ²)
• for AWG conductors for auxiliary contacts	2x (18 ... 14)
Tightening torque	
• for auxiliary contacts with screw-type terminals	0.8 N·m

Lamp:

Type of light source	LED
Color of the light source	blue



Ambient conditions:

Ambient temperature	
• during operation	-25 ... +70 °C
• during storage	-25 ... +80 °C

Installation/ mounting/ dimensions:

Mounting type	front mounting
Height	36 mm
Width	10 mm
Depth	20 mm

Certificates/ approvals:

General Product Approval	Declaration of Conformity	Test Certificates	other		
 CCC	 CSA		 EG-Konf.	Special Test Certificate	Environmental Confirmations

other
Confirmation

Further information

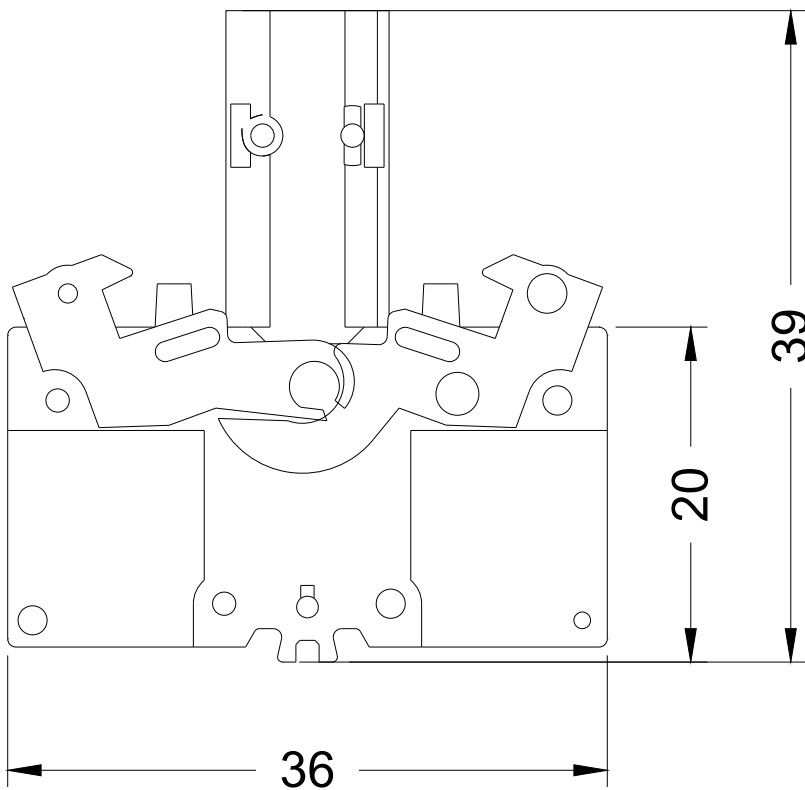
Information- and Downloadcenter (Catalogs, Brochures,...)
<http://www.siemens.com/industrial-controls/catalogs>

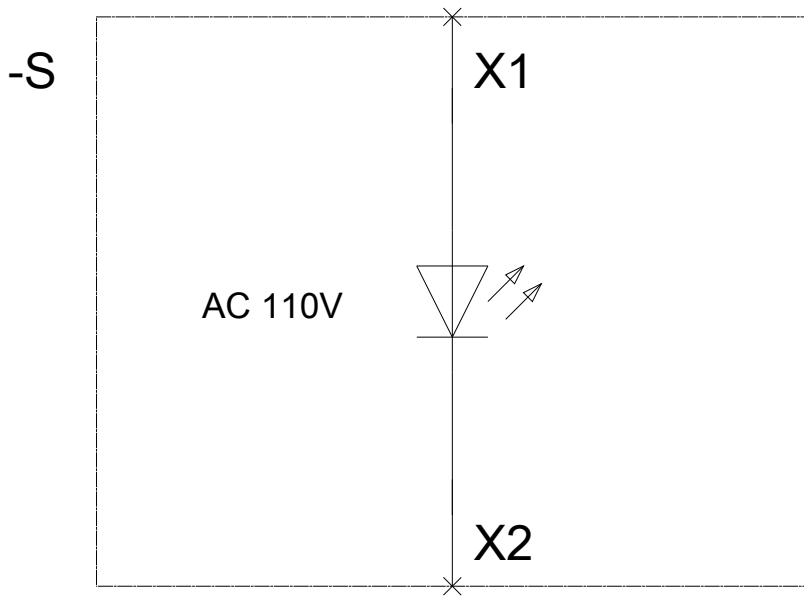
Industry Mall (Online ordering system)
<http://www.siemens.com/industrymall>

Cax online generator
<http://support.automation.siemens.com/WW/CAXorder/default.aspx?lang=en&mlfb=3SB34001QD>

Service&Support (Manuals, Certificates, Characteristics, FAQs,...)
<https://support.industry.siemens.com/cs/ww/en/ps/3SB34001QD>

Image database (product images, 2D dimension drawings, 3D models, device circuit diagrams, EPLAN macros, ...)
http://www.automation.siemens.com/bilddb/cax_de.aspx?mlfb=3SB34001QD&lang=en





last modified:

02.06.2015