

ACTUATOR-/INDICATOR COMPONENT WITH INTEGRATED LED
110V AC LAMP HOLDER SCREW TERMINAL GREEN



Figure similar

Product designation	lampholder
Contact block/ lampholder:	
Mounting type	integrated
Number of lampholders	1
General technical data:	
Product function	
• positive opening	No
Product component	
• diode	Yes
• lamp transformer	No
• Light source	Yes
• series resistor	No
Insulation voltage	
• rated value	250 V
Degree of pollution	class 3
Surge voltage resistance rated value	4 kV
Protection class IP	
• of the enclosure	IP40

<ul style="list-style-type: none"> • of the terminal 	IP20
Equipment marking	
<ul style="list-style-type: none"> • acc. to DIN 40719 extended according to IEC 204-2 acc. to IEC 750 	H
<ul style="list-style-type: none"> • acc. to DIN EN 61346-2 	P
<ul style="list-style-type: none"> • acc. to DIN EN 81346-2 	P
Operating voltage 1	
<ul style="list-style-type: none"> • at AC <ul style="list-style-type: none"> — at 50 Hz rated value — at 60 Hz rated value 	110 V 110 V

Supply voltage:

Type of voltage of the supply voltage	
<ul style="list-style-type: none"> • of the light source 	AC
Supply voltage 1 of the light source at AC	
<ul style="list-style-type: none"> • at 50 Hz rated value • at 60 Hz rated value 	110 V 110 V

Auxiliary circuit:

Number of NC contacts	
<ul style="list-style-type: none"> • for auxiliary contacts 	0
Number of NO contacts	
<ul style="list-style-type: none"> • for auxiliary contacts 	0
Number of CO contacts	
<ul style="list-style-type: none"> • for auxiliary contacts 	0
Consumed current for rated value of supply voltage maximum	15 mA

Connections/ Terminals:

Type of electrical connection	screw-type terminals
Type of connectable conductor cross-sections	
<ul style="list-style-type: none"> • for auxiliary contacts <ul style="list-style-type: none"> — solid — solid with core end processing — finely stranded with core end processing • at AWG conductors for auxiliary contacts 	2x (1.0 ... 1.5 mm ²) 2x (0.5 ... 0.75 mm ²) 2x (0.5 ... 1.5 mm ²) 2x (18 ... 14)
Tightening torque	
<ul style="list-style-type: none"> • for auxiliary contacts with screw-type terminals 	0.8 N·m

Lamp:

Type of light source	LED
Color of the light source	green

Ambient conditions:

Ambient temperature	
----------------------------	--

- during operation
- during storage





-25 ... +70 °C

-25 ... +80 °C

Installation/ mounting/ dimensions:

Mounting type	front mounting
Height	36 mm
Width	10 mm
Depth	20 mm

Certificates/approvals

General Product Approval	Declaration of Conformity	Test Certificates	other
 CCC	 CSA		 EG-Konf.
		spezielle Prüfbescheinigung n	Bestätigungen

other

[Umweltbestätigung](#)

Further information

Information- and Downloadcenter (Catalogs, Brochures,...)

<http://www.siemens.com/industrial-controls/catalogs>

Industry Mall (Online ordering system)

<https://mall.industry.siemens.com/mall/en/en/Catalog/product?mlfb=3SB34001QC>

Cax online generator

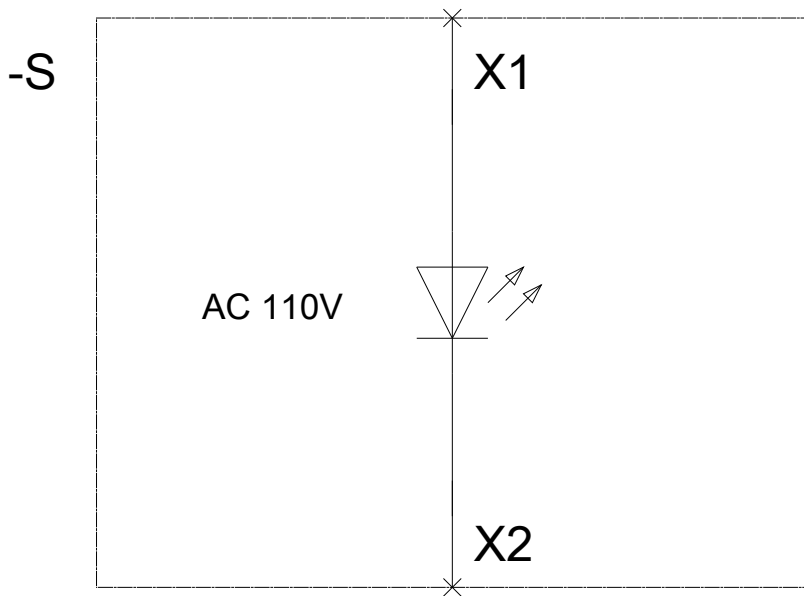
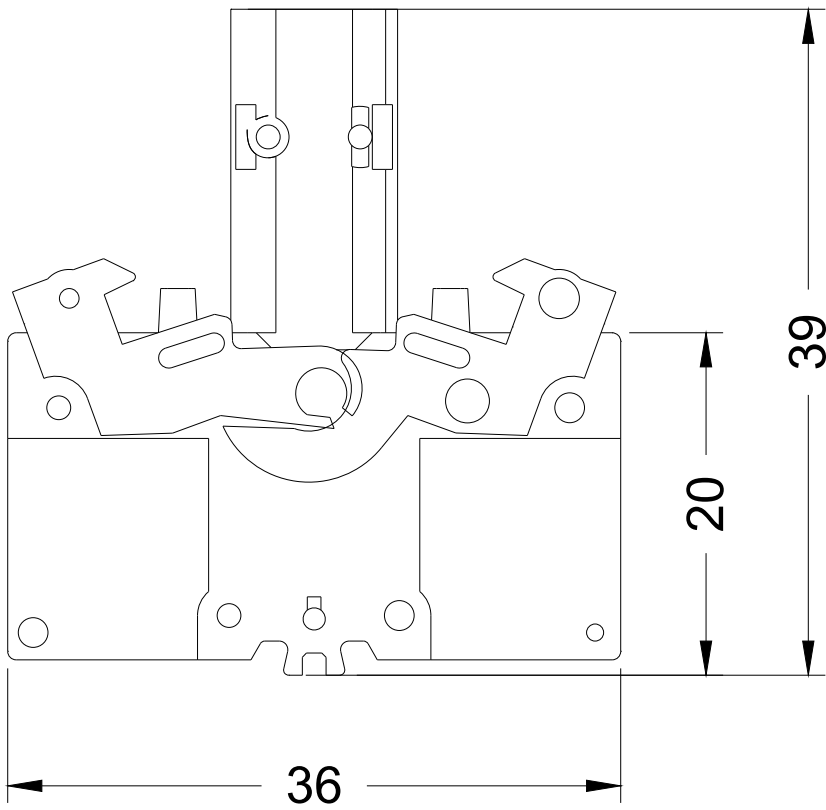
<http://support.automation.siemens.com/WW/CAXorder/default.aspx?lang=en&mlfb=3SB34001QC>

Service&Support (Manuals, Certificates, Characteristics, FAQs,...)

<https://support.industry.siemens.com/cs/ww/en/ps/3SB34001QC>

Image database (product images, 2D dimension drawings, 3D models, device circuit diagrams, EPLAN macros, ...)

http://www.automation.siemens.com/bilddb/cax_de.aspx?mlfb=3SB34001QC&lang=en



last modified:

05.04.2016