

Project: _____

Type: _____

Drawn by: _____ Catalogue #: _____

Date: _____

Individual Spec Sheet

BARE WIRE LED PUCK LIGHTS

LED UNDERCABINET LUMINAIRE

12V

ORDERING INFORMATION

Order code: 67187
Model number: UCP/WIRES/12V/2W/30K/FR/WH/STD
UPC: 069549671874
Case quantity: 240

PHYSICAL DATA

Dimensions: 2 7/8" (71.6mm)
Shape: Round
Finish: White
Lens Finish: Frosted
Mounting: Recessed
Wire length (in): 4
Wire gauge (AWG): 24

PERFORMANCE DATA

Watts (W): 2
Volts (VAC): 12
Colour temperature (K)¹: 3 000
Lumen output (lm)²: 131.7
CRI: 90
Life L70 (h)³: 50 000
Beam angle (°): 120
Efficiency (lm/W): 60
Operation temp. range: -20° C to 40° C (-4° F to 104° F)

¹ Typical colour temperature range: +/- 5 %

² Lumen values are derived from photometric testing. Initial lumens range: +/- 10 %

³ Life hours are derived from IESNA LM80-08 testing report and projected per IESNA TM-21-11 extrapolations

COMPATIBLE DRIVERS

Brand	Model number
67184	LED/DRIVER/12W/12V/PLUG/ND/STD
65743	LED/DRIVER/10W/12V/HW/ND/STD
65744	LED/DRIVER/20W/12V/HW/ND/STD
65740	LED/DRIVER/50W/12V/HW/D/STD
65745	LED/DRIVER/60W/12V/HW/ND/VS/STD
65746	LED/DRIVER/60W/12V/HW/ND/STD



3^{ans}
garantie



**envoi
 rapide**



**luminaire
 DEL**



**luminaire
 à gradation**

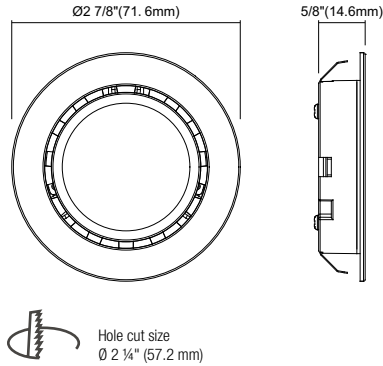
6

**endroits
 humides**



This lighting equipment complies with Canadian standard ICES-005 for use in residential applications.
 Data is based upon tests performed in a controlled environment.
 Actual performance can vary depending on operating conditions. Specifications are subject to change without notice.

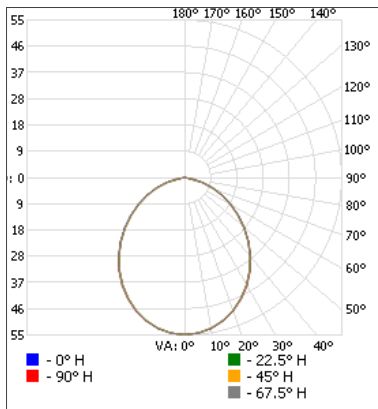
DIMENSIONS



PHOTOMETRIC DATA¹

67187 • UCP/WIRES/12V/2W/30K/FR/WH/STD • 131.7 lm

Polar candela distribution



Zonal lumen summary

Zone	Lumens	% Fixture
0-30	41.1	31.2
0-40	65.9	50
0-60	110.5	83.8
60-90	21.3	16.2
0-90	131.7	100

Illuminance at a distance

	Center beam fc	Beam width	
1.7'	19.0	4.0'	7.0'
3.3'	5.04	7.8'	7.8'
5.0'	2.19	11.8'	11.8'
6.7'	1.22	15.8'	15.9'
8.3'	0.80	19.6'	19.7'
10.0'	0.55	23.6'	23.7'

■ Vert. spread: 99.5°
■ Horiz. spread: 99.6°

¹ Complete IES files available on our website.

Qty	Description	Price

I accept the specifications of the luminaire configuration mentioned above.

Name: _____

Company: _____

Signature: _____

Date: _____

Data is based upon tests performed in a controlled environment. Actual performance can vary depending on operating conditions. All products are subject to change or may be discontinued any time without notice.