

Project: \_\_\_\_\_

Type: \_\_\_\_\_

Drawn by: \_\_\_\_\_ Catalogue #: \_\_\_\_\_

Date: \_\_\_\_\_

*Individual Spec Sheet*

**TRADITIONAL RECESSED**

**ORDERING INFORMATION**

**Order code:** 64360  
**Model number:** RF4in/REM0D/IC/LED/GU10/ELUME  
**UPC:** 069549643604  
**Case quantity:** 6

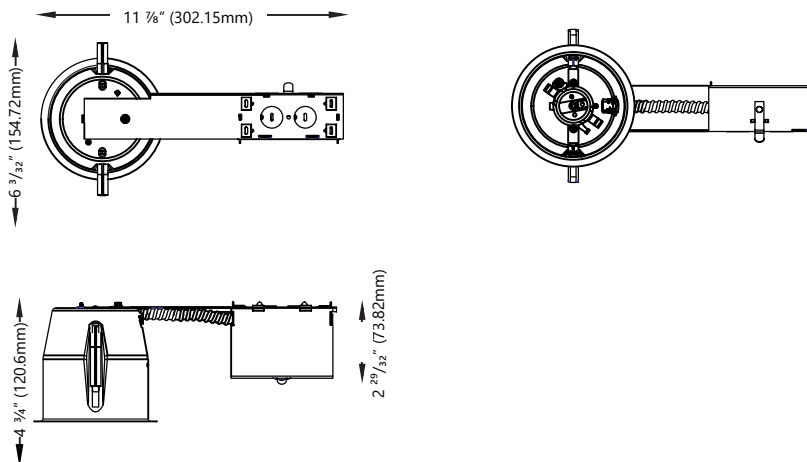
**PHYSICAL DATA**

**Type:** Remodeler - IC Airtight  
**Housing material:** Aluminum  
**Size in. (mm):** 4 ¼ (108)  
**Cutting hole diameter in. (mm):** 4 ½ (114)

**PERFORMANCE DATA**

**Sockets:** GU10  
**Volts (V):** 120  
**Thermal protection:** Yes  
**Junction box:** Yes  
**Wire to wire connectors:** Yes

**DIMENSIONS**



**1**<sup>1</sup>  
**warranty**

**airtight**

**6 damp location**

**7w maximum per lamp**



Max. of 4 no. 12 AWG through branch circuit conductor suitable for 90°C permitted in box. Only valid with LED lamps. This lighting equipment complies with Canadian standard ICES-005 for use in residential applications. Data is based upon tests performed in a controlled environment. Actual performance can vary depending on operating conditions. Specifications are subject to change without notice.

<sup>1</sup> For complete warranty information please visit [www.standardpro.com](http://www.standardpro.com)

**COMPATIBLE LAMPS AND TRIMS**

Compatible lamps	Max Wattage (W)	Compatible E-Lume trims
LED/DEL PAR16	7	64370, 64371, 64375, 64380, 64382, 64385, 64386, 64388
LED/DEL MR16 (E26)	7	64370, 64371, 64375, 64380, 64382, 64385, 64386, 64388

**INSTALLATION**

- Screw-in mounting system
- Permits the installation in ceilings up to 1 ¼ in. in thickness
- Suitable for double drywall application
- Wire to wire connectors



**CAUTIONS**

- Turn power off before inspection, installation, or removal
- Risk of electric shock – do not use where directly exposed to water or weather
- Risk of fire. Blinking light of this thermally protected fixture may indicate overheating
- Minimum 90 °C supply conductor
- May be interconnected using the same circuit
- Use with ELUME trims only

Qty	Description	Price

I accept the specifications of the luminaire configuration mentioned above.

Name: \_\_\_\_\_

Company: \_\_\_\_\_

Signature: \_\_\_\_\_

Date: \_\_\_\_\_

Data is based upon tests performed in a controlled environment. Actual performance can vary depending on operating conditions.  
All products are subject to change or may be discontinued any time without notice.