

Technical Information Bulletin - LED



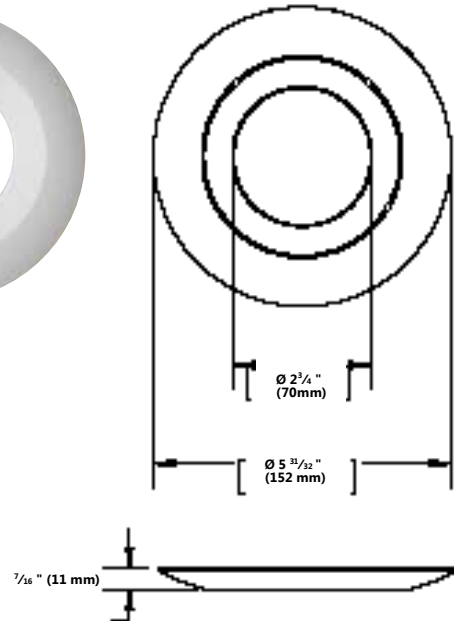
ORDERING INFORMATION

Order code: 63292
Description: RFL6/TR/SLML/WH/STD
UPC: 069549632929
Case quantity: 30



SPECIFICATIONS

Shape: Round
Trim size: 6"
Trim material: Die-cast aluminium
Aperture: Round
Style: Slim
Colour: White



TWIST & LOCK
MAXIMUM INSTALLATION
COMPATIBILITY

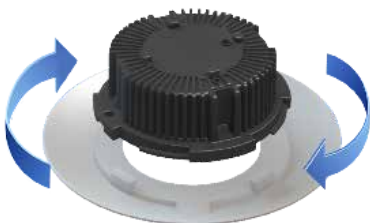
COMPATIBLE MODULES AND HOUSING

For use with STANDARD LED modules.

Compatible modules	Watts (W)	Order code
STD LED Modules	11.8 W	63221, 63222, 63223
	14.7 W	63224, 63225, 63226
Compatible housings	Size	Order code
4" Junction Box	4"	63310
Surface Mount	6"	63308, 63309

INSTALLATION:

Twist and Lock feature mounting allows easy field installation and tight ceiling fit.



Data is based upon tests performed in a controlled environment and representative of relative performance. Actual performance can vary depending on operating conditions. Specifications are subject to change without notice.

December 9, 2015

