

## WCS-L

### Sleek Wall Pack

The WCS-L is a high performing compact multi-purpose wall pack. It has been designed for use in most commercial installations. Typical applications include security lighting over entrances, stairwells and pedestrian areas. Wall mount directly over octagon box or use with surface conduit.

#### FEATURES AND SPECIFICATIONS

##### • Construction

###### Housing

This luminaire is constructed with aluminum die cast housing featuring an integrated photocell automatically controlling when the light is turned on and off. It comes in bronze finish.

###### Lens

Frosted polycarbonate lens is standard in this product series.

##### • Electrical

- The drivers allow input from 120 V and is reliable in the coldest of temperatures
- The WCS-L wall pack is suitable for ambient temperature range of -30°C to +40°C. Available in 4 000 K color temperature with a lumen per watt ratio of 93 lm/W to 97 lm/W.

##### • Compliances

- Meets requirements of ICES-005 for class B products
- Wet location
- IP65
- cULus

#### OVERVIEW

Light source	LED
Watts (W)	18 - 30
Lumen output (lm)	1 750, 2 800
Efficiency (lm/W)	93, 97
Color temperature (K)	4 000
CRI	80



**QUICK SHIP AND TECHNICAL SPECIFICATION TABLE** 🕒<sup>1</sup>

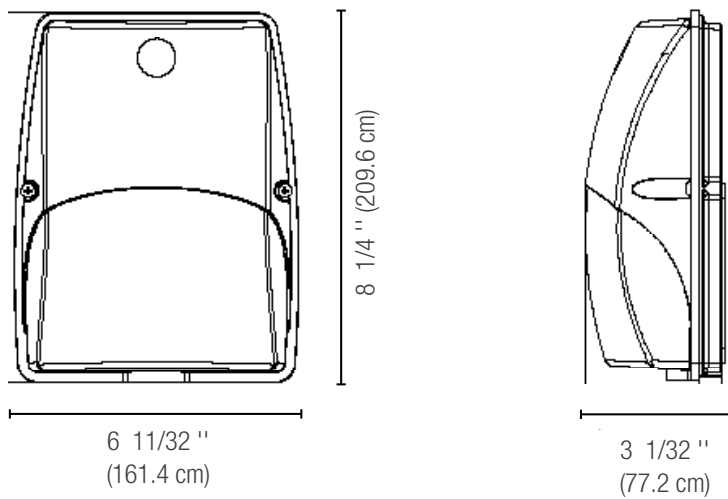
Order code	Model number	Watts	Volts	Color temp.	Lumen output	Efficiency	CRI	Finish	Dimming (Yes/No)	LED current (mA)	Power factor	THD (%)	Traditional equivalent (W)		Case qty (master)
		(W)	(VAC)	(K) <sup>2</sup>	(lm) <sup>3</sup>	(lm/W)	MH						HPS		
63774	LED/WP/18W/40K/120V/BRZ/PC/STD	18	120	4 000	1 750	97	80	Bronze	No	160	0.98	20	70	70	12
63778	LED/WP/30W/40K/120V/BRZ/PC/STD	30	120	4 000	2 800	93	80	Bronze	No	260	0.98	20	100	70	12

<sup>1</sup> **QUICK SHIP:** Product availability is subject to change without notice. Please contact your Stanpro customer service representative to confirm inventory levels at time of order.

<sup>2</sup> Typical color temperature range: +/- 5 %.

<sup>3</sup> Lumen values are derived from photometric testing. Initial lumens range: +/- 10 %.

**DIMENSIONS**

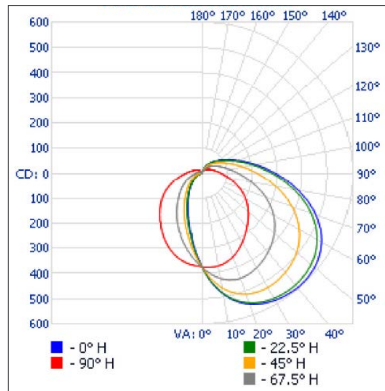


Data is based upon tests performed in a controlled environment. Actual performance can vary depending on operating conditions. All products are subject to change or may be discontinued any time without notice.

**PHOTOMETRIC DATA<sup>1</sup>**

63774 • WCS-LS1-A/40K-BR • 1 770 lm

**Polar candela distribution**



**Zonal lumen summary**

Zone	Lumens	% Fixture
0-30	532.6	19%
0-40	855.1	30.5%
0-60	1 563.7	55.8%
60-90	815.2	29.1%
70-100	632.8	22.6%
90-120	326.8	11.7%
0-90	2 378.8	84.9%
90-180	424.6	15.1%
0-180	2 803.5	100%

**Illuminance at a distance**

Center beam fc	Beam width
8.3'	5.44 fc
16.7'	1.34 fc
25.0'	0.60 fc
33.3'	0.34 fc
41.7'	0.22 fc
50.0'	0.15 fc

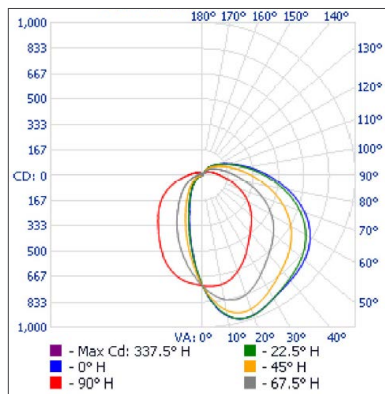
Beam width	Beam width
18.2'	23.8'
36.7'	47.9'
54.9'	71.7'
73.2'	95.6'
91.6'	119.7'
109.8'	143.5'

■ Vert. spread: 95.4°  
■ Horiz. spread: 110.2°

63778 • WCS-LS2-A/40K-BR • 2 803.5 lm

**Polar candela distribution**



**Zonal lumen summary**

Zone	Lumens	% Fixture
0-30	532.6	19%
0-40	855.1	30.5%
0-60	1 563.7	55.8%
60-90	815.2	29.1%
70-100	632.8	22.6%
90-120	326.8	11.7%
0-90	2 378.8	84.9%
90-180	424.6	15.1%
0-180	2 803.5	100%

**Illuminance at a distance**

Center beam fc	Beam width
8.3'	10.5 fc
16.7'	2.60 fc
25.0'	1.16 fc
33.3'	0.65 fc
41.7'	0.42 fc
50.0'	0.29 fc

Beam width	Beam width
17.4'	20.5'
35.1'	41.3'
52.5'	61.8'
69.9'	82.3'
87.5'	103.1'
104.9'	123.6'

■ Vert. spread: 92.8°  
■ Horiz. spread: 102.1°

<sup>1</sup> Complete IES files available on our website.

Data is based upon tests performed in a controlled environment. Actual performance can vary depending on operating conditions. All products are subject to change or may be discontinued any time without notice.