

# Angled Junction Box

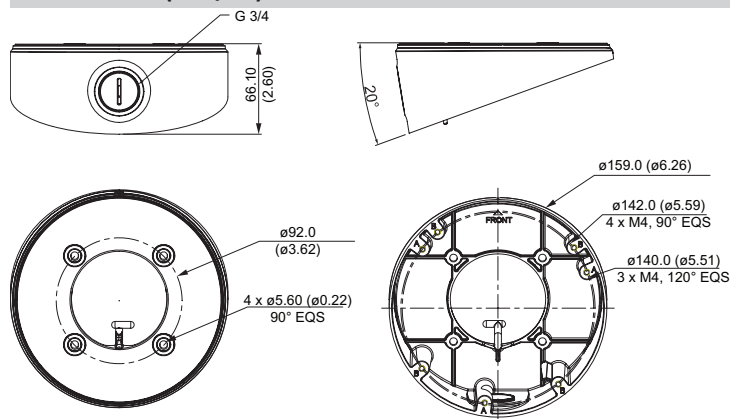


- Aluminum Alloy Construction
- 20° Offset Angle
- Side and Bottom Cable Entry
- 3.0 kg (6.61 lb) Load Bearing Capacity

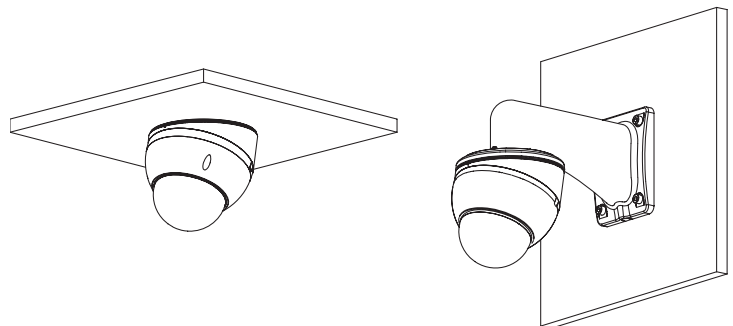
## Technical Specifications

Material	Aluminum Alloy
Dimensions (W x H x D)	∅159.0 mm × 66.10 mm (∅6.26 in. x 2.60 in.)
Pipe Thread	G3/4 in.
Weight	0.36 kg (0.81 lb)
Load Bearing Capacity	3.0 kg (6.61 lb)
Angle	20°
Color	White
Operating Temperature	-40 °C to 60 °C (-40 °F to 140 °F)
Humidity	0% to 90% RH
Compatibility	PFA101 Mount Adapter PFB302S Wall Mount Bracket with Junction Box PFB303W Waterproof Wall Mount Bracket (both wall mounts require the PFA101)

## Dimensions (mm/in.)



## Application



## Ordering Information

Type	Part Number	Description
Junction Box	DH-PFA133-E	Angled Junction Box
Hardware Included		4 x M4 x 25 Screws 4 x ST4 x 25 Screws 4 x Plastic Anchors 1 x S3.0 Wrench