

# Pro

## ProConnect 80/86/96/wd



### FEATURES

- Watertight ANSI NEMA type receptacle.
- Accepts standard ANSI NEMA type plugs.
- Mating plugs with integral threaded ring maintain a watertight seal.
- Available in seven different voltage configurations.
- Captive threaded receptacle cap.
- Receptacle cover fits "FS" style boxes.
- In-line cord connector available.

### APPLICATIONS

- Watertight requirements
- Oil Drilling rigs
- Gravel pits and quarries
- Construction sites
- General industrial plant wiring
- Instrumentation connection boxes
- Open pit mining

### APPROVALS

- Type 3
- Type 4
- ABS

### STANDARDS

- UL 498 - Attachment Plugs & Receptacles
- UL 514 - Fittings for Conduit and Outlet Boxes
- UL 1682 - Plugs, Receptacles & Cable Connectors
- C22.2 No. 42
- C22.2 No. 182.1/2/3

### TECHNICAL SPECIFICATIONS

#### COVER/CAP/RING

Die-cast aluminum.

#### HARDWARE

Stainless steel.

#### VOLTAGE

125 Volt 15 Amp ANSI NEMA 5-15  
250 Volt 15 Amp ANSI NEMA 6-15  
125 Volt 20 Amp ANSI NEMA 5-20  
250 Volt 20 Amp ANSI NEMA 6-20  
120 Volt 15 Amp ANSI NEMA L5-15  
250 Volt 15 Amp ANSI NEMA L6-15  
277 Volt 15 Amp ANSI NEMA L7-15

# ProConnect 80/wd

Watertight Plug - Type 3 & 4

## ORDERING REFERENCES

| PART NUMBER | DESCRIPTION                      |
|-------------|----------------------------------|
| NRL 80-1    | 125 Volt 15 Amp (5-15P)          |
| NRL 80-2    | 250 Volt 15 Amp (6-15P)          |
| NRL 80-3    | 125 Volt 20 Amp (5-20P)          |
| NRL 80-4    | 250 Volt 20 Amp (6-20P)          |
| NRL 80-5    | 120 Volt 15 Amp Locking (L5-15P) |
| NRL 80-6    | 250 Volt 15 Amp Locking (L6-15P) |
| NRL 80-7    | 277 Volt 15 Amp Locking (L7-15P) |

## CARTON SPECIFICATIONS

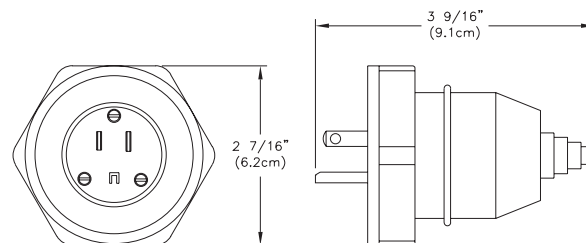
| Quantity Per Carton | Weight Per Carton Lbs (Kg) | Size of Carton FT <sup>3</sup> (M <sup>3</sup> ) |
|---------------------|----------------------------|--|
| 10                  | 6.7 (3.0)                  | 0.4 (0.012)                                      |

## SPARE PARTS

| Part No. | Description            | Weight |      |
|----------|------------------------|--------|------|
|          |                        | Lbs    | Kg   |
| NRL8002  | Neoprene boot          | 0.1    | 0.04 |
| NRL8001  | Cast open ring         | 0.13   | 0.06 |
| NRL8011  | Plug, 125 Volt 15 Amp  | 0.15   | 0.07 |
| NRL8021  | Plug, 250 Volt 15 Amp  | 0.15   | 0.07 |
| NRL8031  | Plug, 125 Volt 20 Amp  | 0.15   | 0.07 |
| NRL8041  | Plug, 250 Volt 20 Amp  | 0.15   | 0.07 |
| NRL8051  | Plug, 120 Volt 15 Amp* | 0.15   | 0.07 |
| NRL8061  | Plug, 250 Volt 15 Amp* | 0.15   | 0.07 |
| NRL8071  | Plug, 277 Volt 15 Amp* | 0.15   | 0.07 |

\*Locking type interiors

## DIMENSIONS



NRL80

# ProConnect 86/wd

Watertight cord connector - Type 3

## ORDERING REFERENCES

| PART NUMBER | DESCRIPTION                      |
|-------------|----------------------------------|
| NRL 86-1    | 125 Volt 15 Amp (5-15R)          |
| NRL 86-2    | 250 Volt 15 Amp (6-15R)          |
| NRL 86-3    | 125 Volt 20 Amp (5-20R)          |
| NRL 86-4    | 250 Volt 20 Amp (6-20R)          |
| NRL 86-5    | 120 Volt 15 Amp Locking (L5-15R) |
| NRL 86-6    | 250 Volt 15 Amp Locking (L6-15R) |
| NRL 86-7    | 277 Volt 15 Amp Locking (L7-15R) |

## CARTON SPECIFICATIONS

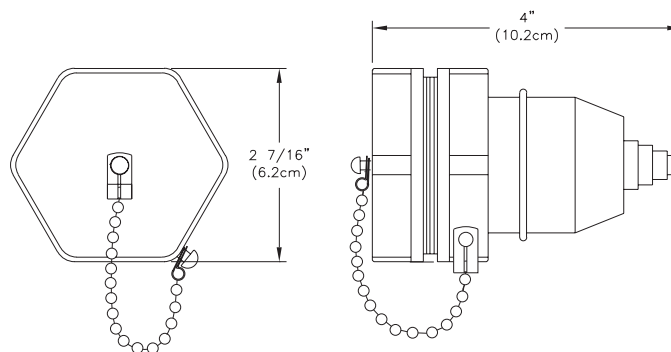
| Quantity Per Carton | Weight Per Carton Lbs (Kg) | Size of Carton FT <sup>3</sup> ( M <sup>3</sup> ) |
|---------------------|----------------------------|---|
| 10                  | 6.7 (3.0)                  | 0.4 (0.012)                                       |

## SPARE PARTS

| Part No. | Description                 | Weight |      |
|----------|-----------------------------|--------|------|
|          |                             | Lbs    | Kg   |
| NRL8002  | Neoprene boot               | 0.1    | 0.04 |
| NRL8601  | Cast ring assembly          | 0.22   | 0.10 |
| NRL9601  | Closed cap assembly         | 0.24   | 0.11 |
| NRL8611  | Receptacle, 125 Volt 15 Amp | 0.18   | 0.08 |
| NRL8621  | Receptacle, 250 Volt 15 Amp | 0.18   | 0.08 |
| NRL8631  | Receptacle, 125 Volt 20 Amp | 0.18   | 0.08 |
| NRL8641  | Receptacle 250 Volt 20 Amp  | 0.18   | 0.08 |
| NRL8651  | Receptacle 120 Volt 15 Amp* | 0.18   | 0.08 |
| NRL8661  | Receptacle 250 Volt 15 Amp* | 0.18   | 0.08 |
| NRL8671  | Receptacle 277 Volt 15 Amp* | 0.18   | 0.08 |

\*Locking type interiors

## DIMENSIONS



NRL86