

IP69K pin & sleeve plugs

The industry's first pin & sleeve devices that are designed to address high pressure, high temperature washdown applications

IP69K
certified

Crouse-Hinds Series pin and sleeve devices are the industry's first to offer IP69K rated protection. Each device has been carefully engineered to offer reliability, efficiency, and added safety protection in demanding wet locations, particularly where harsh washdowns are a must!

Pin & sleeve plugs features & benefits

Mechanical cord clamp with silicone grommet seal and locking screw ensures a positive and watertight strain relief system

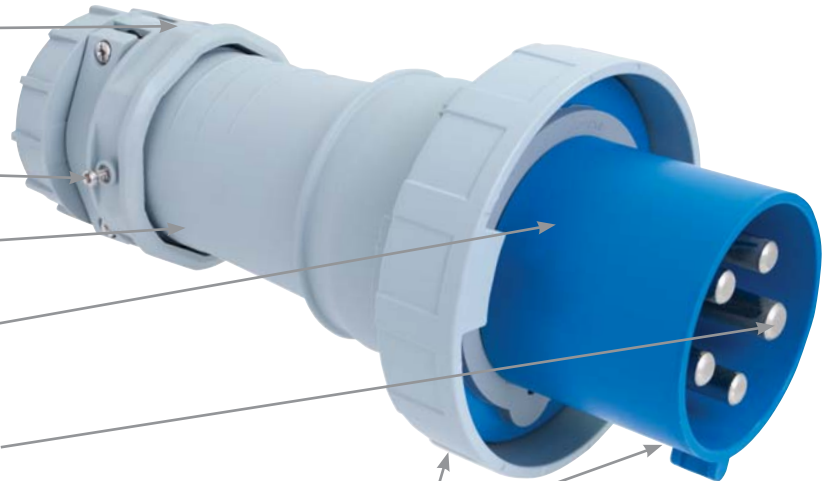
Tri-Combo Cord Grip screws for convenience

Durable impact resistant thermoplastic body

Color-coded front housing for easy and accurate identification of voltages

Oversized grounding pin assures mating only with oversized female grounding sleeve; staggered contact to ensure ground makes first and breaks last

Engineered thermoplastic material improves cold impact performance for 60A & 100A devices



Nickel plated pins offer long life corrosion protection



Threaded NPT cable entry provides efficient means of attaching flexible conduit or wire mesh grips



Pins fully shrouded for mechanical protection; lockout hole for plugs



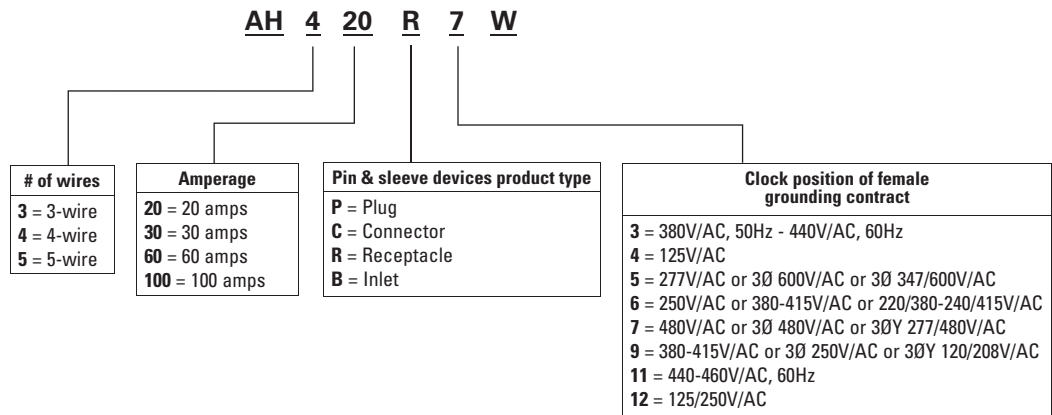
Tapered wiring pockets to ease insertion of stranded wire; deep pockets with clear markings keep bare conductors isolated

How to order from the complete line of pin & sleeve products

Understanding IEC 60309 pin & sleeve device and mechanical interlock catalog numbers

Pin & sleeve devices

**Pin & sleeve device
sample number:**
AH420P7W

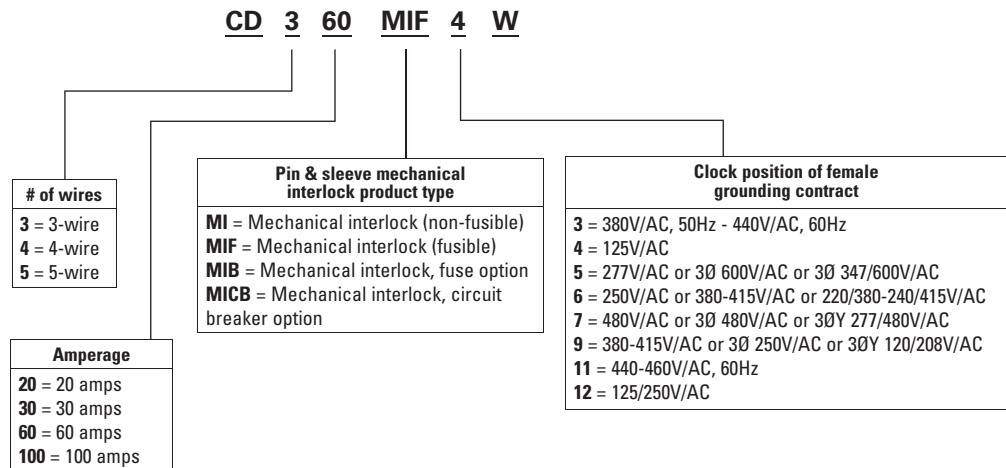


Note:

Exceptions for pin & sleeve devices:
Not every clock face position available for each pole/amp/device combo.
Consult your Crouse-Hinds representative for details.

Pin & sleeve mechanical interlock devices

**Pin & sleeve mechanical
interlock device
sample number:**
CD360MIF4W



Notes:

Exceptions for mechanical interlock:
HMI available only on 20A.
MIF available only on 30A & 60A
MIB & MICB available only on 20A, 30A & 60A
Not every clock face position available for each pole/amp/device combo.
Consult your Crouse-Hinds representative for details.

IEC 60309 watertight pin & sleeve devices

Product description

North American 20A, 30A, 60A & 100A for receptacles, plugs, connectors & inlets



Receptacle



Plug



Connector



Inlet



Angled Receptacle

Rating A	Poles/wires	V/AC, color coding & configurations	Receptacle catalog no.	Plug catalog no.	Connector catalog no.	Inlet catalog no.	15° Angled Receptacle catalog no.	
20	2-P, 3-W	125	AH320R4W	AH320P4W	AH320C4W	AH320B4W	—	
		250	AH320R6W	AH320P6W	AH320C6W	AH320B6W	—	
		480	AH320R7W	AH320P7W	AH320C7W	AH320B7W	—	
	3-P, 4-W	125/250	AH420R12W	AH420P12W	AH420C12W	AH420B12W	—	
		3Ø 250	AH420R9W	AH420P9W	AH420C9W	AH420B9W	—	
		3Ø 480	AH420R7W	AH420P7W	AH420C7W	AH420B7W	—	
		3Ø 600	AH420R5W	AH420P5W	AH420C5W	AH420B5W	—	
	4-P, 5-W	3ØY 120/208	AH520R9W	AH520P9W	AH520C9W	AH520B9W	—	
		3ØY 277/480	AH520R7W	AH520P7W	AH520C7W	AH520B7W	—	
		3ØY 347/600	AH520R5W	AH520P5W	AH520C5W	AH520B5W	—	
	30	2-P, 3-W	125	AH330R4W	AH330P4W	AH330C4W	AH330B4W	—
			250	AH330R6W	AH330P6W	AH330C6W	AH330B6W	—
480			AH330R7W	AH330P7W	AH330C7W	AH330B7W	—	
3-P, 4-W		125/250	AH430R12W	AH430P12W	AH430C12W	AH430B12W	—	
		3Ø 250	AH430R9W	AH430P9W	AH430C9W	AH430B9W	—	
		3Ø 480	AH430R7W	AH430P7W	AH430C7W	AH430B7W	—	
		3Ø 600	AH430R5W	AH430P5W	AH430C5W	AH430B5W	—	
4-P, 5-W		3ØY 120/208	AH530R9W	AH530P9W	AH530C9W	AH530B9W	—	
		3ØY 277/480	AH530R7W	AH530P7W	AH530C7W	AH530B7W	—	
		3ØY 347/600	AH530R5W	AH530P5W	AH530C5W	AH530B5W	—	
60		2-P, 3-W	125	AH360R4W	AH360P4W	AH360C4W	AH360B4W	—
			250	AH360R6W	AH360P6W	AH360C6W	AH360B6W	—
	480		AH360R7W	AH360P7W	AH360C7W	AH360B7W	—	
	3-P, 4-W	125/250	AH460R12W	AH460P12W	AH460C12W	AH460B12W	—	
		3Ø 250	AH460R9W	AH460P9W	AH460C9W	AH460B9W	—	
		3Ø 480	AH460R7W	AH460P7W	AH460C7W	AH460B7W	—	
		3Ø 600	AH460R5W	AH460P5W	AH460C5W	AH460B5W	—	
	4-P, 5-W	3ØY 120/208	AH560R9W	AH560P9W	AH560C9W	AH560B9W	AH560R9W-15	
		3ØY 277/480	AH560R7W	AH560P7W	AH560C7W	AH560B7W	—	
		3ØY 347/600	AH560R5W	AH560P5W	AH560C5W	AH560B5W	—	
	100	2-P, 3-W	125	AH3100R4W	AH3100P4W	AH3100C4W	AH3100B4W	—
			250	AH3100R6W	AH3100P6W	AH3100C6W	AH3100B6W	—
480			AH3100R7W	AH3100P7W	AH3100C7W	AH3100B7W	—	
3-P, 4-W		125/250	AH4100R12W	AH4100P12W	AH4100C12W	AH4100B12W	AH4100R12W-15	
		3Ø 250	AH4100R9W	AH4100P9W	AH4100C9W	AH4100B9W	—	
		3Ø 480	AH4100R7W	AH4100P7W	AH4100C7W	AH4100B7W	AH4100R7W-15	
		3Ø 600	AH4100R5W	AH4100P5W	AH4100C5W	AH4100B5W	—	
4-P, 5-W		3ØY 120/208	AH5100R9W	AH5100P9W	AH5100C9W	AH5100B9W	AH5100R9W-15	
		3ØY 277/480	AH5100R7W	AH5100P7W	AH5100C7W	AH5100B7W	AH5100R7W-15	
		3ØY 347/600	AH5100R5W	AH5100P5W	AH5100C5W	AH5100B5W	—	