

Terminal
BlocksSPLICERS / REDUCERS
DOUBLE ROW TERMINAL BLOCKS

C6

Splicers/Reducers - Aluminum - 600 VAC Rated



AM-P1-P1



AS-K2-K2

ITEM NUMBER	CONNECTOR				INSULATOR CAT. NO.	DIMENSIONS			AMPERES PER POLE
	LINE SIDE		LOAD SIDE			LENGTH	WIDTH	HEIGHT	
AS-I1-I1	2-14 AWG		2-14 AWG		S	2.90"	1.04"	2.34"	115
AS-K1-K1	2/0-14 AWG		2/0-14 AWG		S	2.90"	1.04"	2.34"	175
AM-N1-N1	250 MCM-6 AWG		250 MCM-6 AWG		M	4.00"	1.71"	2.62"	310
AM-P1-P1	350 MCM-6 AWG		350 MCM-6 AWG		M	4.00"	1.71"	2.62"	350
AM-R1-R1	500 MCM-6 AWG		500 MCM-6 AWG		M	4.00"	1.71"	2.62"	380
AS-K2-K2	2/0-14 AWG		2/0-14 AWG		S	2.90"	1.04"	2.34"	350
AL-P2-P2	350 MCM-6 AWG		350 MCM-6 AWG		L	5.50"	2.90"	3.25"	620
AL-R2-R2	500 MCM-6 AWG		500 MCM-6 AWG		L	5.50"	2.90"	3.25"	760

TB100 Series Double Row Terminal Blocks

ITEM NUMBER	NUMBER OF POLES	OA LENGTH	MOUNT CC
TB100-02	2	1.40"	1.12"
TB100-03	3	1.78"	1.50"
TB100-04	4	2.16"	1.88"
TB100-05	5	2.53"	2.25"
TB100-06	6	2.90"	2.62"
TB100-07	7	3.28"	3.00"
TB100-08	8	3.66"	3.38"
TB100-09	9	4.03"	3.75"
TB100-10	10	4.40"	4.12"
TB100-11	11	4.78"	4.50"
TB100-12	12	5.16"	4.88"

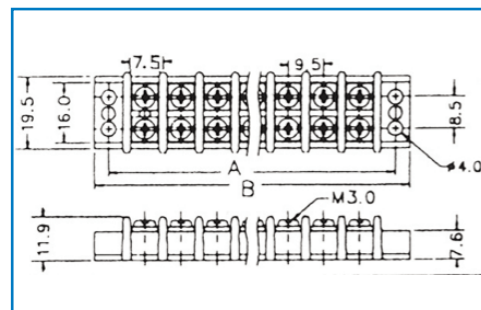
TB100 Series

- 10 Amp/300 Volt
- $\frac{3}{8}$ " Centre-to-Centre
- #6-32 Philslot Screw Terminal
- Maximum Wire Size: #14 AWG

.FUS



TB100



DOUBLE ROW TERMINAL BLOCKS

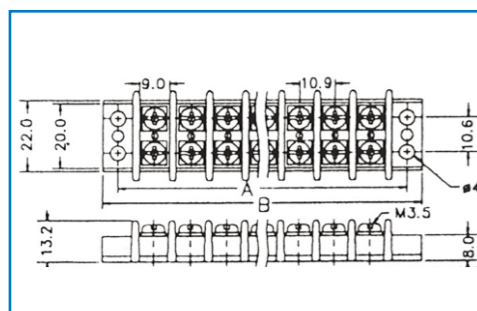
TB200 Series Double Row Terminal Blocks

C7

ITEM NUMBER	NUMBER OF POLES	OA LENGTH	MOUNT CC
TB200-02	2	1.63"	1.31"
TB200-03	3	2.07"	1.75"
TB200-04	4	2.51"	2.18"
TB200-05	5	2.94"	2.62"
TB200-06	6	3.38"	3.06"
TB200-07	7	3.82"	3.50"
TB200-08	8	4.25"	3.93"
TB200-09	9	4.69"	4.37"
TB200-10	10	5.13"	4.81"
TB200-11	11	5.57"	5.25"
TB200-12	12	6.00"	5.68"

TB200 Series

- 20 Amp/300 Volt
- $\frac{7}{16}$ " Centre-to-Centre
- #6-32 Philslot Screw Terminal
- Maximum Wire Size: #12 AWG

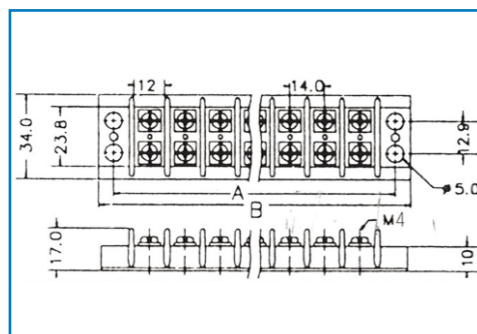
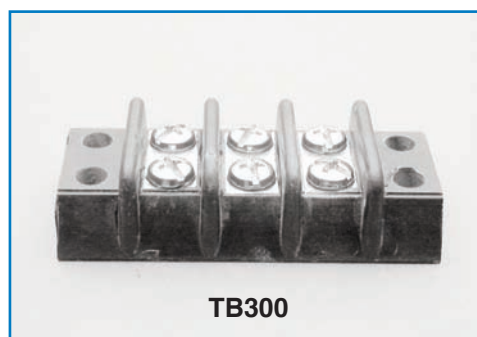

Terminal
Blocks

TB300 Series Double Row Terminal Blocks

ITEM NUMBER	NUMBER OF POLES	OA LENGTH	MOUNT CC
TB300-02	2	2.13"	1.68"
TB300-03	3	2.69"	2.25"
TB300-04	4	3.25"	2.81"
TB300-05	5	3.81"	3.37"
TB300-06	6	4.37"	3.93"
TB300-07	7	4.94"	4.50"
TB300-08	8	5.50"	5.06"
TB300-09	9	6.06"	5.62"
TB300-10	10	6.62"	6.18"
TB300-11	11	7.18"	6.75"
TB300-12	12	7.75"	7.31"

TB300 Series

- 30 Amp/300 Volt
- $\frac{9}{16}$ " Centre-to-Centre
- #8-32 Philslot Screw Terminal
- Maximum Wire Size: #10 AWG

DOUBLE ROW TERMINAL BLOCKS

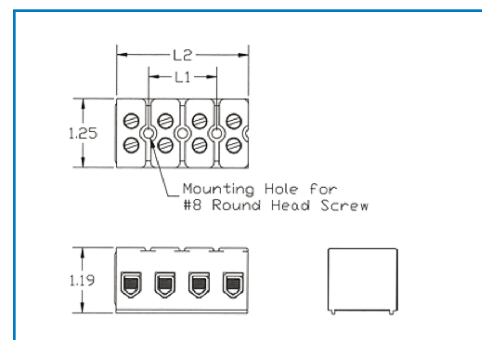
C8

B Series Double Row Terminal Blocks

ITEM NUMBER	NUMBER OF POLES	OA LENGTH(L2)	MOUNT CC(L1)
B-02	2	1.19"	---
B-03	3	1.81"	0.625"
B-04	4	2.44"	1.250"
B-05	5	3.06"	1.875"
B-06	6	3.69"	2.500"
B-07	7	4.31"	3.125"
B-08	8	4.94"	3.750"
B-09	9	5.56"	4.375"
B-10	10	6.19"	5.000"
B-11	11	6.84"	5.625"
B-12	12	7.46"	6.250"

B Series

- 85 Amp/600 Volt
- Temperature Range: -30°C to 150°C
- Slot Screw Terminal
- Screw Tightening Torque: 20 Inch-Pounds
- Maximum Wire Range: #18 AWG to #4 AWG
- Wire Strip Length: 3/8 Inch



C Series Double Row Terminal Blocks

ITEM NUMBER	NUMBER OF POLES	(L1)	(L2)	OA LENGTH(L3)
C-02	2	2.33"	2.59"	2.96"
C-03	3	2.33"	2.59"	2.96"
C-04	4	2.96"	3.22"	3.59"

C Series

- 85 Amp/600 Volt
- Temperature Range: -30°C to 130°C
- Screw Tightening Torque: 20 Inch-Pounds
- Maximum Wire Range: #18 AWG to #4 AWG
- Wire Strip Length: 3/8 Inch

