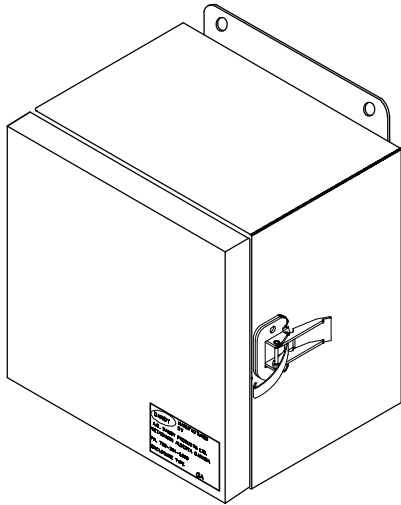




17-03



Model #DB4 8-8-4 HHB Shown

EEMAC 4 ENCLOSURE WATER and DUST TIGHT Model #DB4

- EEMAC 4 enclosure
- For indoor or outdoor use
- Steel construction - ASA 61 grey
- Continuous seam weld construction
- Hinged, gasketed door c/w non-locking clasp as required for sealing
- Removable galvanized backpan - stud mounted
- External mounting ears on top and bottom
- Consult factory for high pressure applications

Option

- Flush quarter turn compression closers and 3 point stainless steel handle on 36" high and over

Model #	H x W x D (")	Weight (lbs)	Clasps
DB4 8-8-4 HHB	8 x 8 x 4	7	1
DB4 10-10-4 HHB	10 x 10 x 4	10	1
DB4 12-12-4 HHB	12 x 12 x 4	12	1
DB4 10-10-6 HHB	10 x 10 x 6	12	1
DB4 16-16-8 HHB	16 x 16 x 8	27	1
DB4 24-20-10 HHB	24 x 20 x 10	50	2
DB4 24-24-10 HHB	24 x 24 x 10	57	4
DB4 36-36-12 HB	36 x 36 x 12	118	4
DB4 48-36-12 HB	48 x 36 x 12	153	4