



# TRAC 12

## Miniature Low Voltage Trac System UNIVERSAL LAMPHOLDER

**TL301, TF308**

Project: \_\_\_\_\_

Fixture Type: \_\_\_\_\_

Location: \_\_\_\_\_

Contact/Phone: \_\_\_\_\_

### PRODUCT DESCRIPTION

The Universal MR16 spotlight can be used alone for an “exposed lamp” aesthetic, or in combination with a Perforated Metal Scoop accessory. Trac 12 Universals are designed for use with MR16 lamps to provide high intensity display and accent lighting.

**Lamp** 50W MR16 lamps maximum • Must be used with MR16 lamps with integral lens (cover glass) except when combined with 2” accessories.

**Socket** Ceramic bi-pin.

**Lens** Not provided • For use only with MR16 lamps with integral lens (cover glass) except when combined with 2” accessories.

**Aiming** 90° vertical aiming capability and 358° rotation.

**Accessories** May be used with up to two 2” accessories and/or Barn Doors simultaneously with Accessory Holder

**Labels** UL listed, CSA certified.

Specifications subject to change without notice.



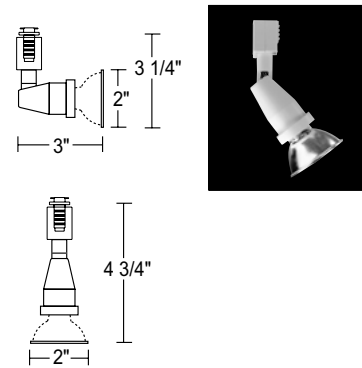
### Low Voltage MR16 – Universal

Catalog Number	Description	Finish	Lamp
TL301 WH	Universal	White	50W MR16CG with integral lens (cover glass), 12V or 24V
TL301 BL	Universal	Black	50W MR16CG with integral lens (cover glass), 12V or 24V
TL301 SL	Universal	Silver	50W MR16CG with integral lens (cover glass), 12V or 24V

### ACCESSORIES

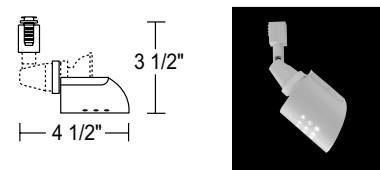
Cat. No.	Description	Cat. No.	Description
CGF 200	Color Glass Filter	DIFF 200	Diffusion Glass Lens
DCCF 200	Dichroic Color Correction Filter	UVF 200	UV Filter
DGF 200	Dichroic Glass Filter	LSPREAD 200	Linear Spread Glass Lens
SOLITE 200	Uniformity Lens (Solite)	T7400BL	Accessory Holder - Black
PRISM 200	Prismatic Spread Glass Lens	T7470BL	2” Diameter Barn Doors - Black
HCLBL 200	Hexagonal Cell Louver - Black		

See specification sheet [D1.2.2](#) for details.



### Perforated Metal Scoop Accessory

Catalog Number	Description	Finish
TF308 SL	Perforated Metal Scoop	Silver

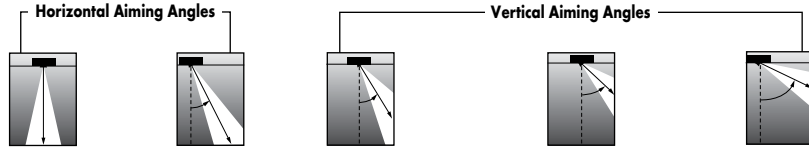


# TRAC 12

## Miniature Low Voltage Trac System UNIVERSAL LAMPHOLDER

### TL301, TF308

**CBCP** • Centerbeam candlepower  
**FC** • Footcandles at beam center (aim point)



Lamp	Beam Type	Beam Spread°	Rated Life	CBCP	0°		30°			30°			45°				60°								
					MH	FC	L	W	FC	L	W	D	FC	X	L	W	FC	X	L	W	D	FC	X	L	W
Q35W MR16	SP	20°	5000	3900	4	244	1.4	1.4	158	1.9	1.6	2	122	3.5	3.1	1.4	345	2.0	1.5	1.0	4	158	2.3	1.9	1.6
					6	108	2.1	2.1	70	2.8	2.4	3	54	5.2	4.7	2.1	153	3.0	2.2	1.5	6	70	3.5	2.8	2.4
					8	61	2.8	2.8	40	3.8	3.3	4	31	6.9	6.2	2.8	86	4.0	2.9	2.0	8	40	4.6	3.8	3.3
					10	39	3.5	3.5	25	4.7	4.1	5	20	8.7	7.8	3.5	55	5.0	3.6	2.5	10	25	5.8	4.7	4.1
	12	27	4.2	4.2	18	5.7	4.9	6	14	10.4	9.3	4.2	38	6.0	4.4	3.0	12	18	6.9	5.7	4.9				
	FL	40°	5000	1000	4	63	2.9	2.9	41	4.1	3.4	2	31	3.5	9.6	2.9	88	2.0	3.4	2.1	4	41	2.3	4.1	3.4
6	28				4.4	4.4	18	6.1	5.0	3	14	5.2	14.5	4.4	39	3.0	5.0	3.1	6	18	3.5	6.1	5.0		
Q50W MR16	NSP	15°	6000	9100	4	638	1.0	1.0	414	1.3	1.1	2	319	3.5	2.1	1.0	902	2.0	1.0	0.7	8	104	4.6	2.6	2.3
					6	283	1.5	1.5	184	2.0	1.7	3	142	5.2	3.1	1.5	401	3.0	1.5	1.0	10	66	5.8	3.3	2.8
					8	159	2.0	2.0	104	2.6	2.3	4	80	6.9	4.1	2.0	225	4.0	2.0	1.4	12	46	6.9	3.9	3.4
					10	102	2.5	2.5	66	3.3	2.8	5	51	8.7	5.1	2.5	144	5.0	2.5	1.7	14	34	8.1	4.6	4.0
	12	71	2.9	2.9	46	3.9	3.4	6	35	10.4	6.2	2.9	100	6.0	3.0	2.1	16	26	9.2	5.3	4.5				
	NFL	25°	6000	3200	4	213	1.9	1.9	138	2.6	2.2	2	106	3.5	4.6	1.9	301	2.0	2.0	1.4	4	138	2.3	2.6	2.2
					6	94	2.9	2.9	61	3.9	3.3	3	47	5.2	7.0	2.9	134	3.0	3.1	2.0	6	61	3.5	3.9	3.3
					8	53	3.8	3.8	35	5.2	4.4	4	27	6.9	9.3	3.8	75	4.0	4.1	2.7	8	35	4.6	5.2	4.4
					10	34	4.8	4.8	22	6.5	5.5	5	17	8.7	11.6	4.8	48	5.0	5.1	3.4	10	22	5.8	6.5	5.5
	12	24	5.8	5.8	15	7.8	6.7	6	12	10.4	13.9	5.8	33	6.0	6.1	4.1	12	15	6.9	7.8	6.7				
	FL	40°	6000	1700	4	116	2.9	2.9	75	4.1	3.4	2	58	3.5	9.6	2.9	164	2.0	3.4	2.1	4	75	2.3	4.1	3.4
					6	51	4.4	4.4	33	6.1	5.0	3	26	5.2	14.5	4.4	73	3.0	5.0	3.1	6	33	3.5	6.1	5.0
8					29	5.8	5.8	19	8.1	6.7	4	14	6.9	19.3	5.8	41	4.0	6.7	4.1	8	19	4.6	8.1	6.7	
10					19	7.3	7.3	12	10.2	8.4	5	9	8.7	24.1	7.3	26	5.0	8.4	5.1	10	12	5.8	10.2	8.4	
12	13	8.7	8.7	8	12.2	10.1	6	6	10.4	**	8.7	18	6.0	10.1	6.2	12	8	6.9	12.2	10.1					

The beam spread in degrees and the beam "L" and "W" in the following tables are computed at 50% of centerbeam candlepower and represent areas of "effective illumination."

\*\*Due to steep aiming angle, length of beam extends beyond 25'.